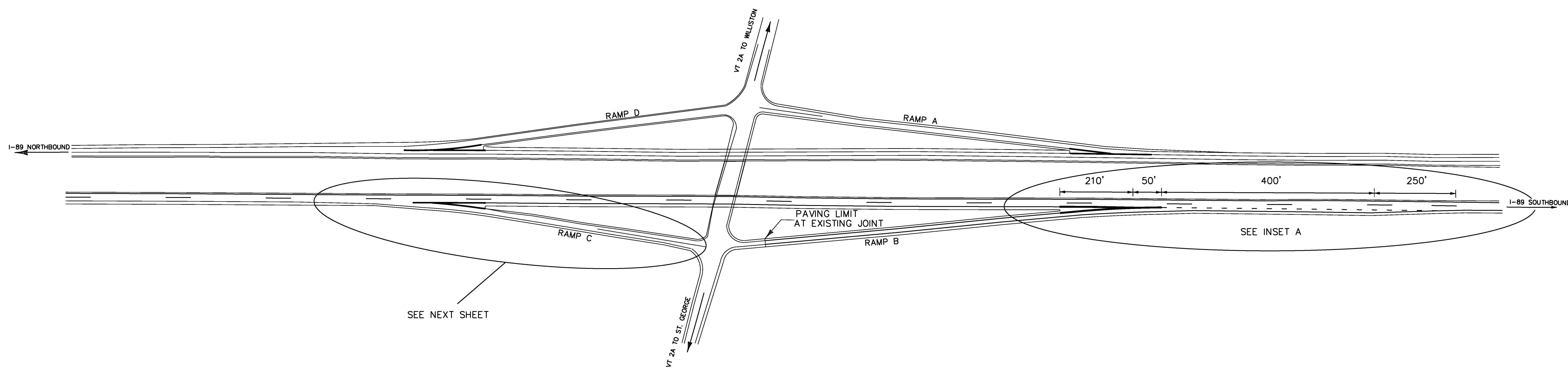
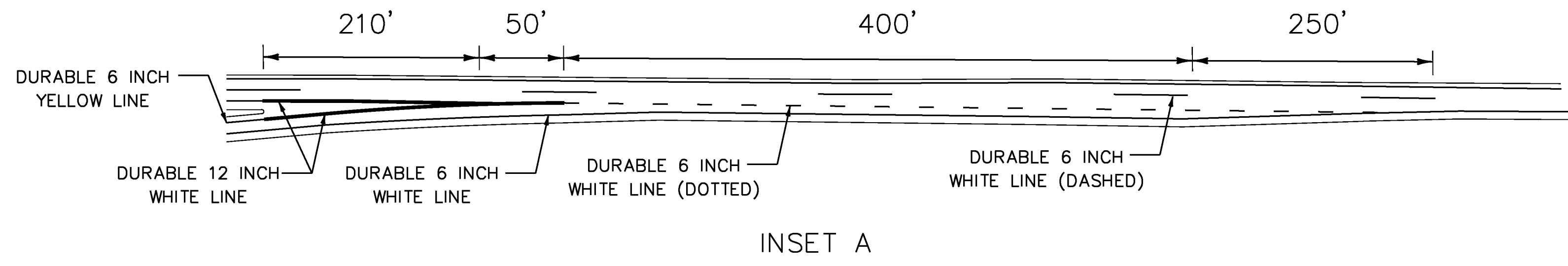


**INTERCHANGE #12
(SOUTHBOUND)**



TEMPORARY 6 INCH WHITE LINE, PAINT
 EXIT 12
 SOUTHBOUND ON RAMP B SOLID RT EDGE LINE
 INTERSTATE 89 DOTTED LT LANE LINE

TEMPORARY 6 INCH YELLOW LINE, PAINT
 EXIT 12
 SOUTHBOUND ON RAMP B SOLID LT EDGE LINE

TEMPORARY 12 INCH WHITE LINE, PAINT
 EXIT 12
 SOUTHBOUND ON RAMP B SOLID LT GORE AREA
 INTERSTATE 89 SOLID LT GORE AREA

DURABLE 6 INCH WHITE LINE, POLYUREA
 EXIT 12
 SOUTHBOUND ON RAMP B SOLID RT EDGE LINE
 INTERSTATE 89 DOTTED LT LANE LINE

DURABLE 6 INCH YELLOW LINE, POLYUREA
 EXIT 12
 SOUTHBOUND ON RAMP B SOLID LT EDGE LINE

DURABLE 12 INCH WHITE LINE, POLYUREA
 EXIT 12
 SOUTHBOUND ON RAMP B SOLID LT GORE AREA
 INTERSTATE 89 SOLID LT GORE AREA

NOT TO SCALE

PAVEMENT MARKING DETAIL SHEET 4 EXIT 12 SB	PROJECT NAME:	RICHMOND - COLCHESTER
	PROJECT NUMBER:	IM SURF (38)
	FILE NAME: pi3a136.dgn	PLOT DATE: 19-DEC-2013
	PROJECT LEADER: M. FOWLER	DRAWN BY: LOCKE
DESIGNED BY: LOCKE	CHECKED BY: FOWLER	
IPARM FILE NAME: pi3a136pmd4.1	SHEET 20	OF 41