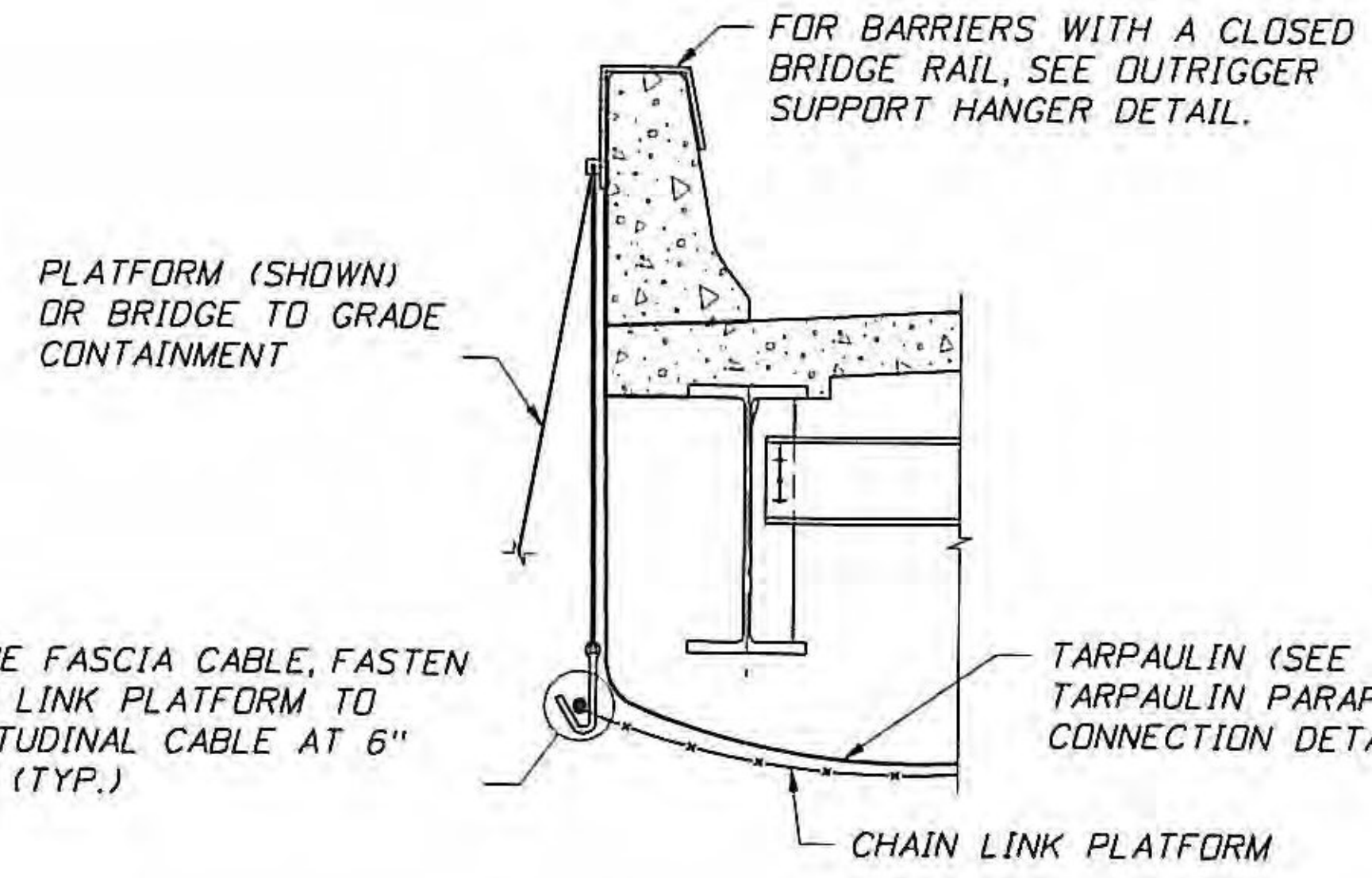
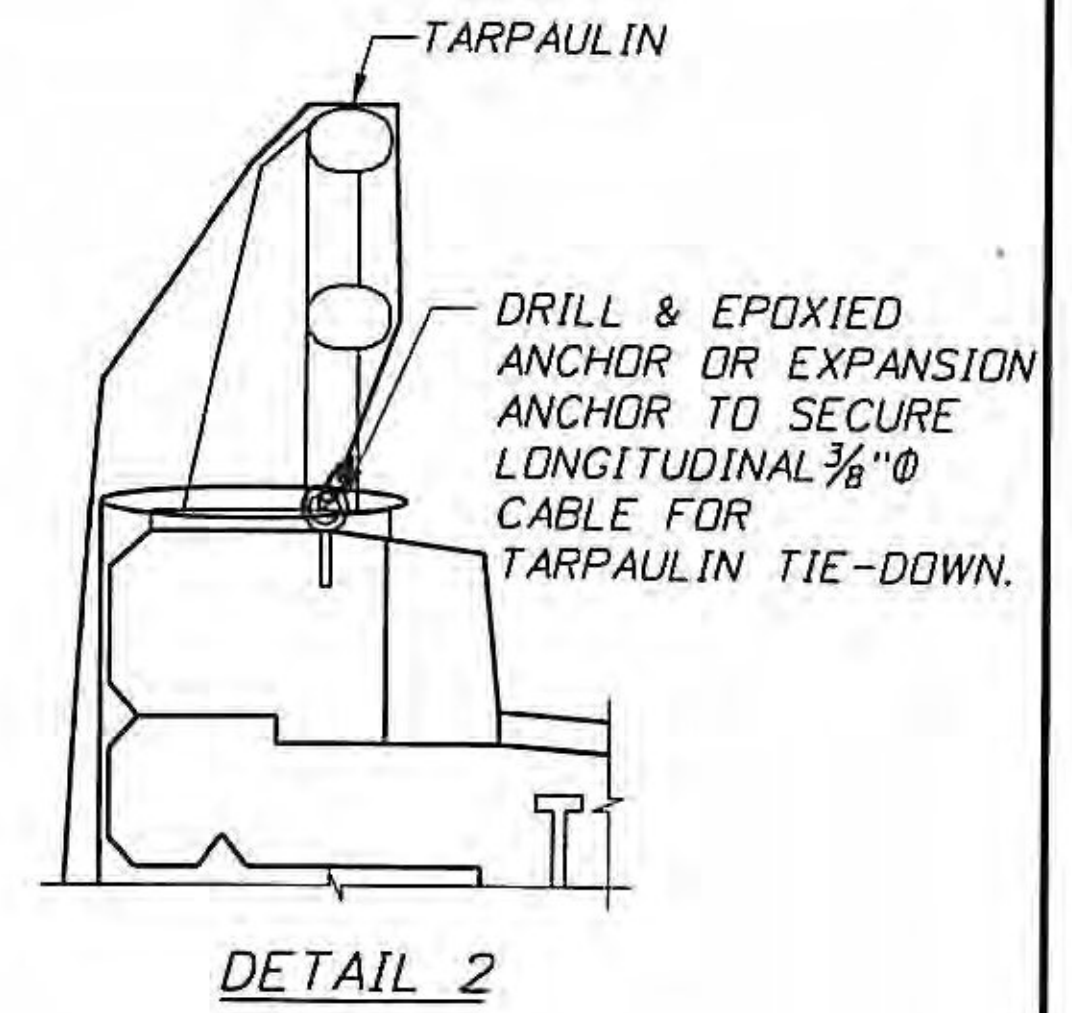
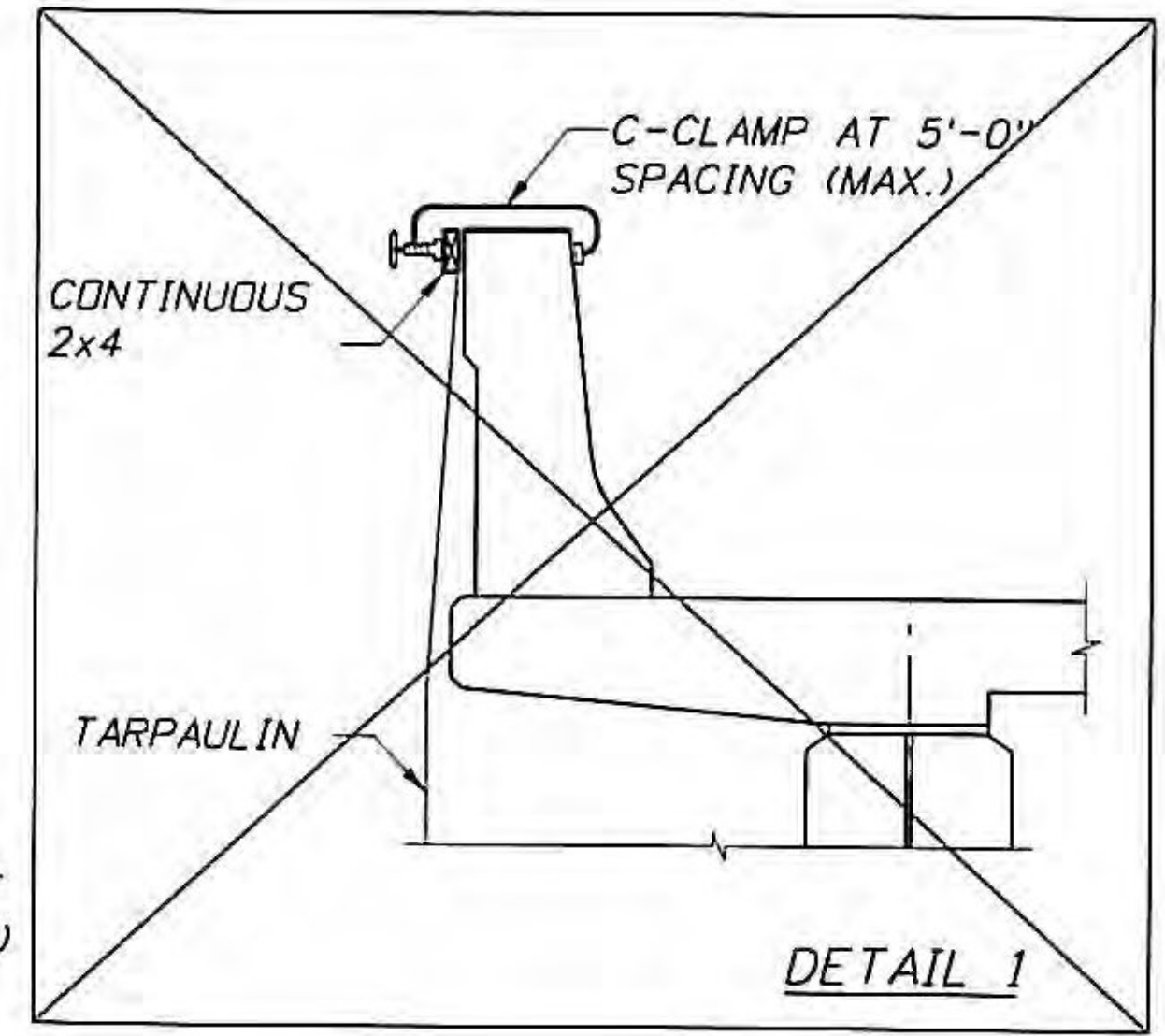


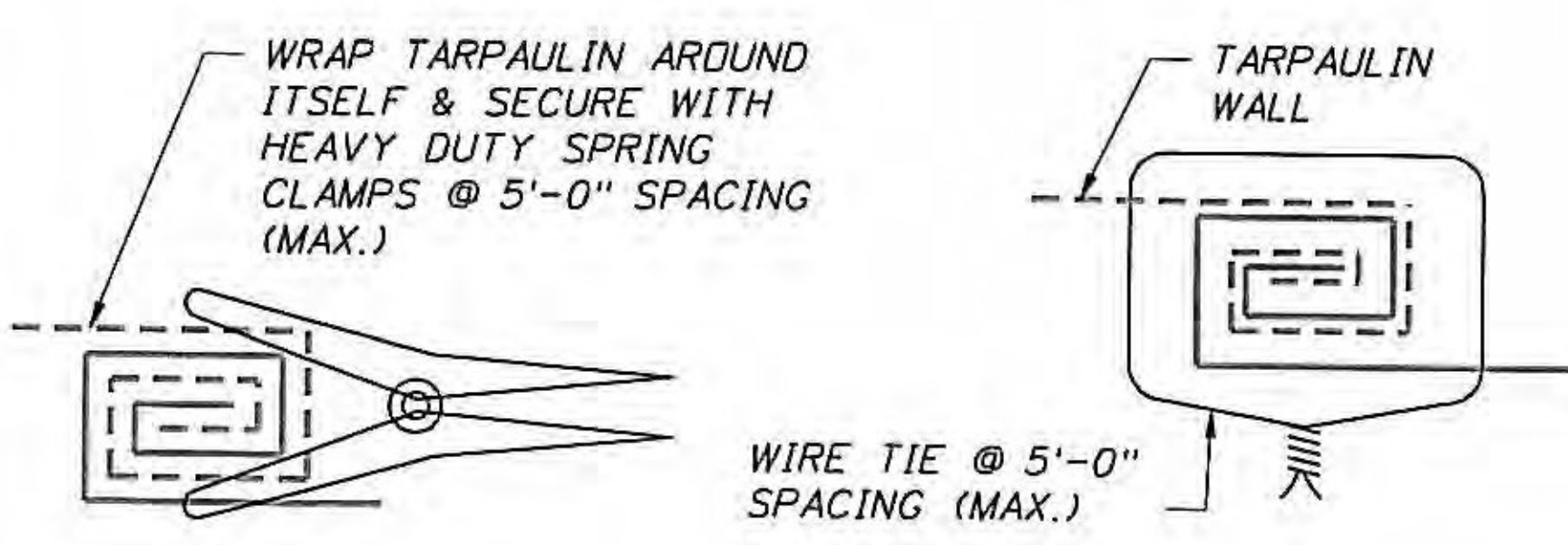
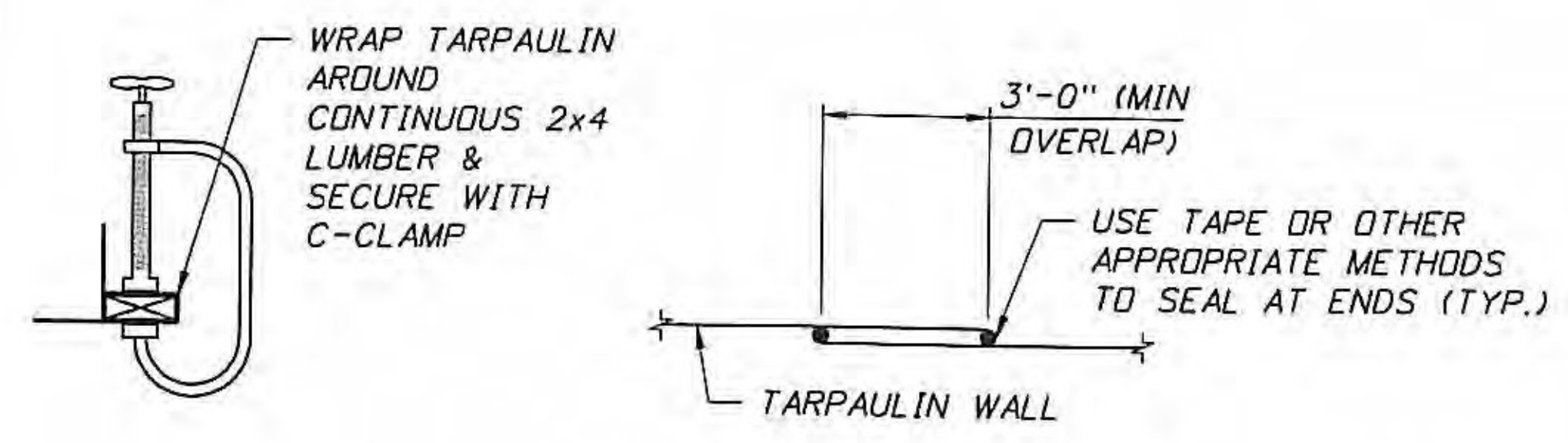
DETAIL 1



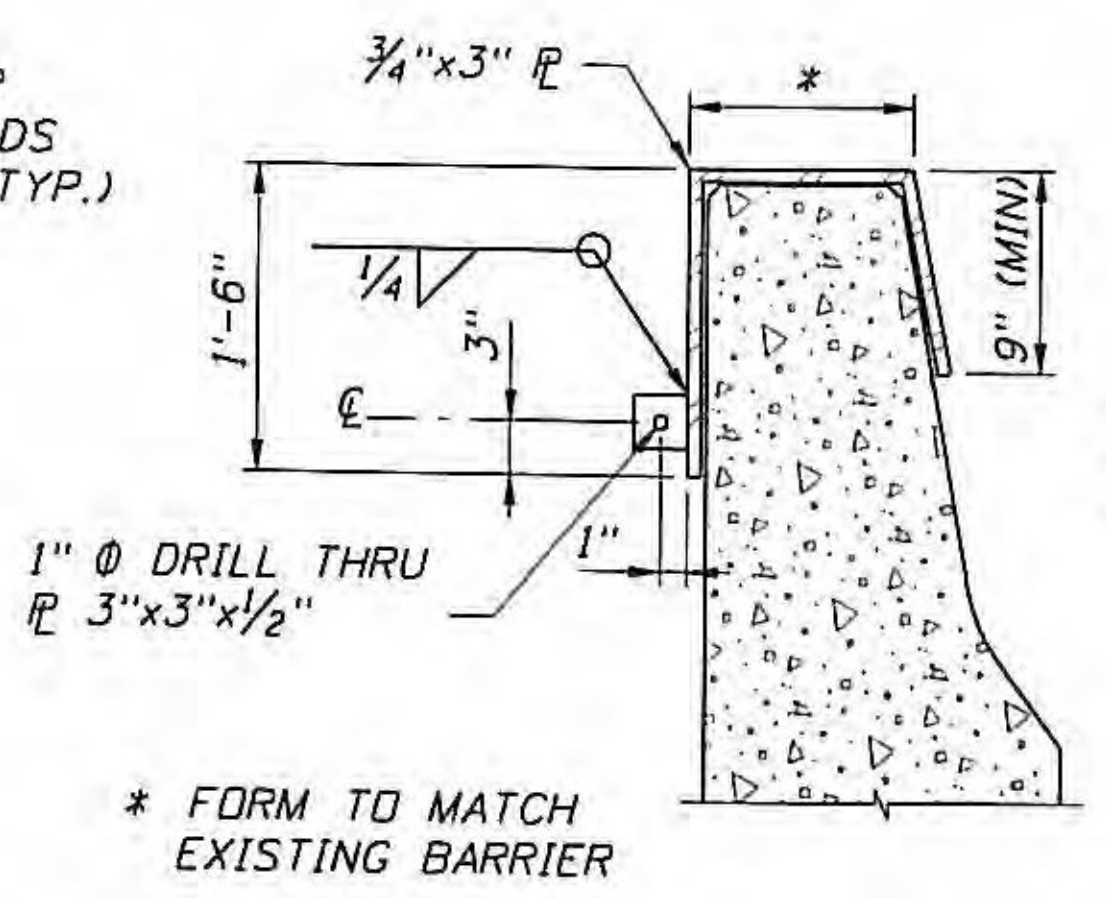
DETAIL 2



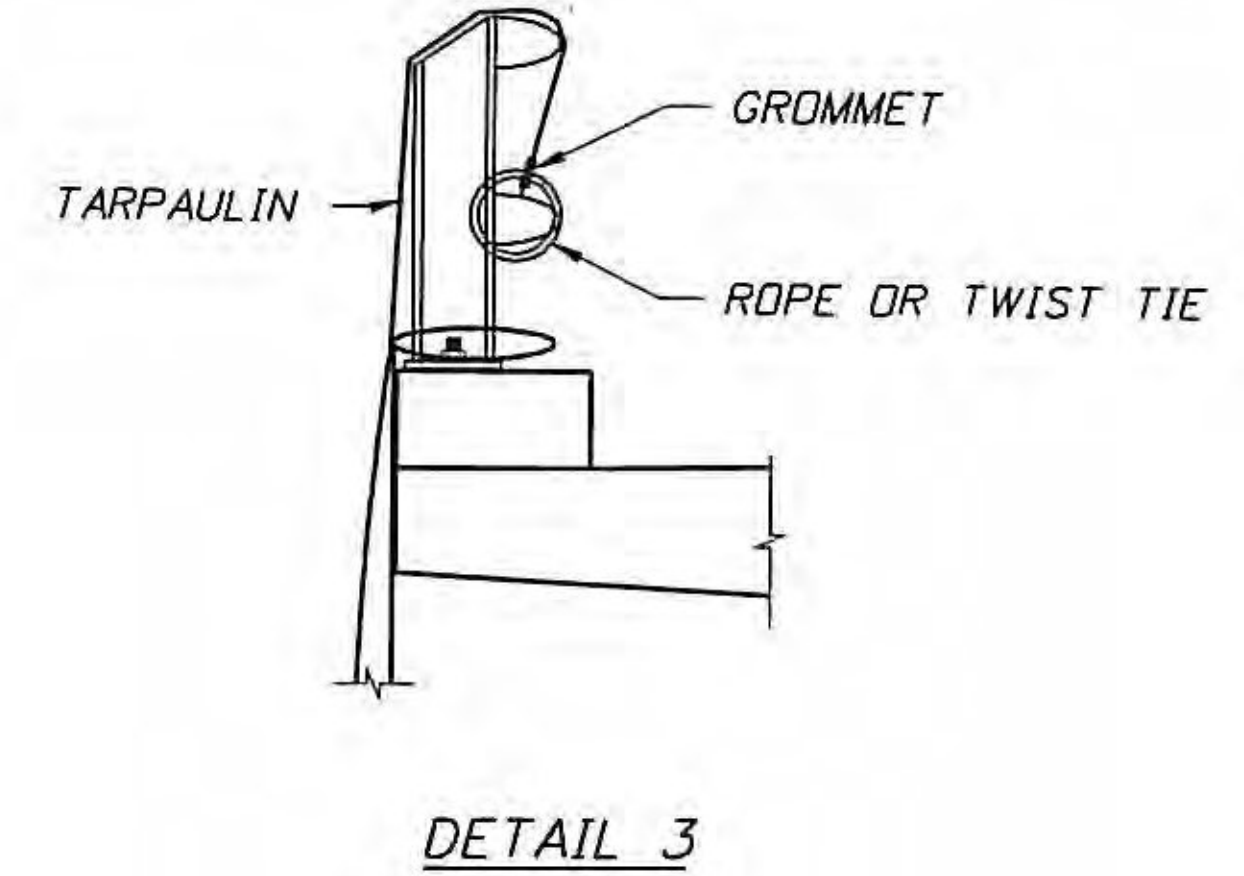
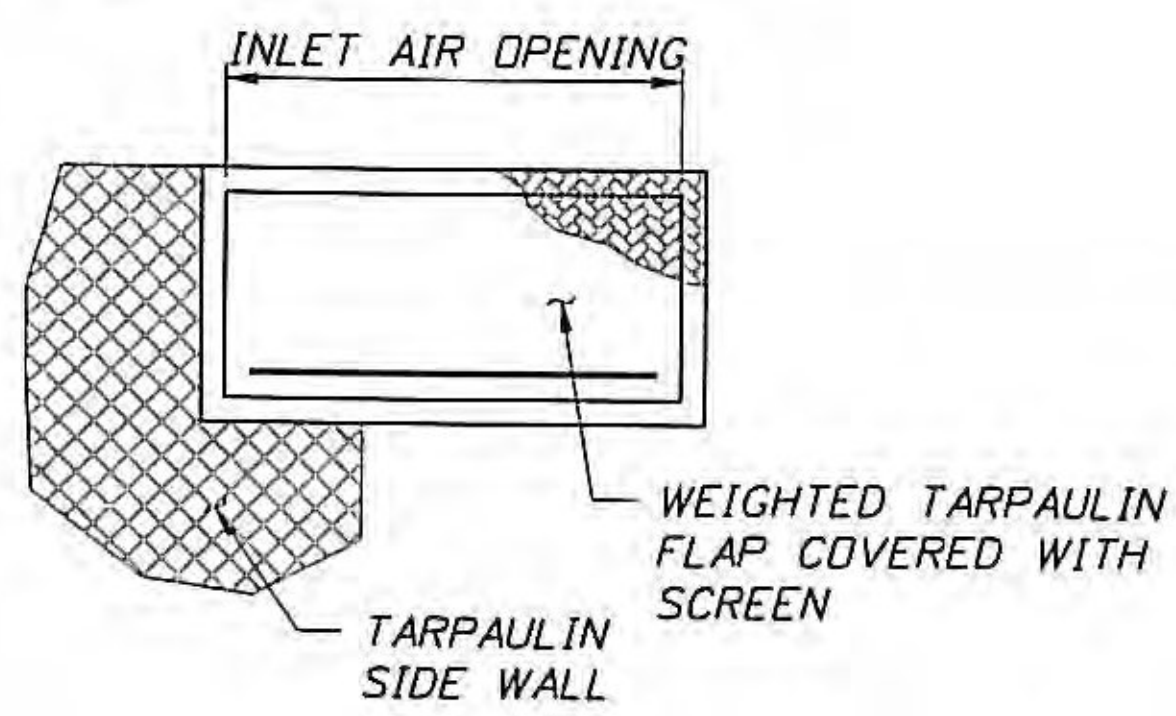
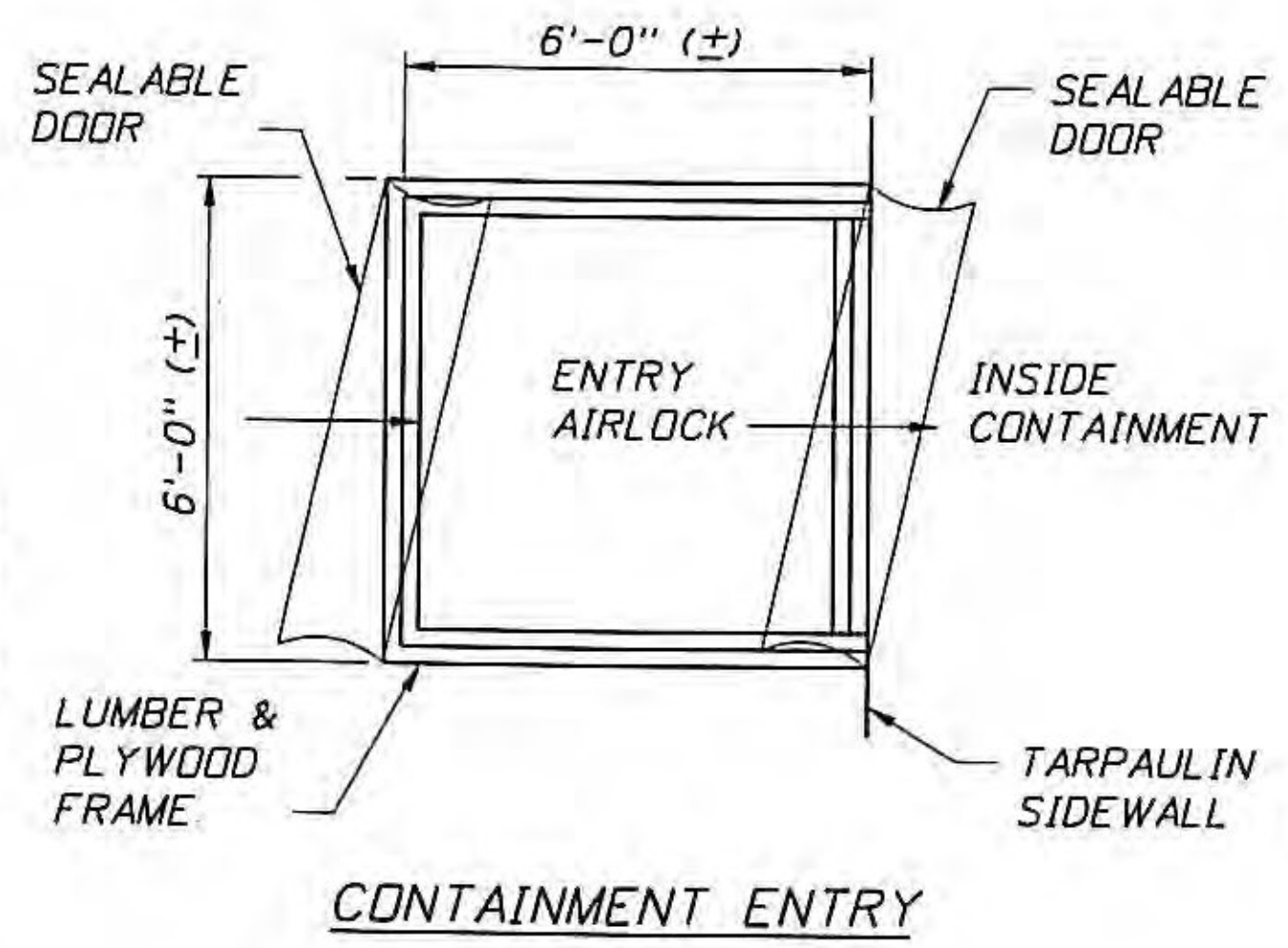
EXTERIOR SUPPORT HANGER
(CHAIN LINK PLATFORM SHOWN, NETTING OR METAL DECKING IS SIMILAR)



ADJACENT TARPAULIN CONNECTION ALTERNATIVES



OUTRIGGER SUPPORT HANGER
DETAIL



TARPAULIN PARAPET CONNECTION



REVISIONS			PAUL STEJLE P.E. P.E. LICENSE NUMBER 107795 A2B ENGINEERING, LLC. 5406 N. HOOVER BLVD., SUITE 12 TAMPA, FL 33634	MONOKO, LLC. 1037 PENINSULA AVENUE TARPON SPRINGS, FL 34689 PHONE (727) 940-3244 FAX (727) 279-8795	VERMONT DEPARTMENT OF TRANSPORTATION			SHEET TITLE: CONTAINMENT MISCELLANEOUS DETAILS (4 OF 4)	REF. DWG. NO.
DATE	BY	DESCRIPTION			ROAD NO.	COUNTY	PROJECT ID		
					1-91	ORANGE	1M BPNT (14)	TEN BRIDGES ON OR OVER I-91 IMPROVEMENT PLANS	SHEET NO. C-19

p:\187 monoko, flc14 bradford-newbury lm bpn11 containment plans\cadd\190Details01.dgn