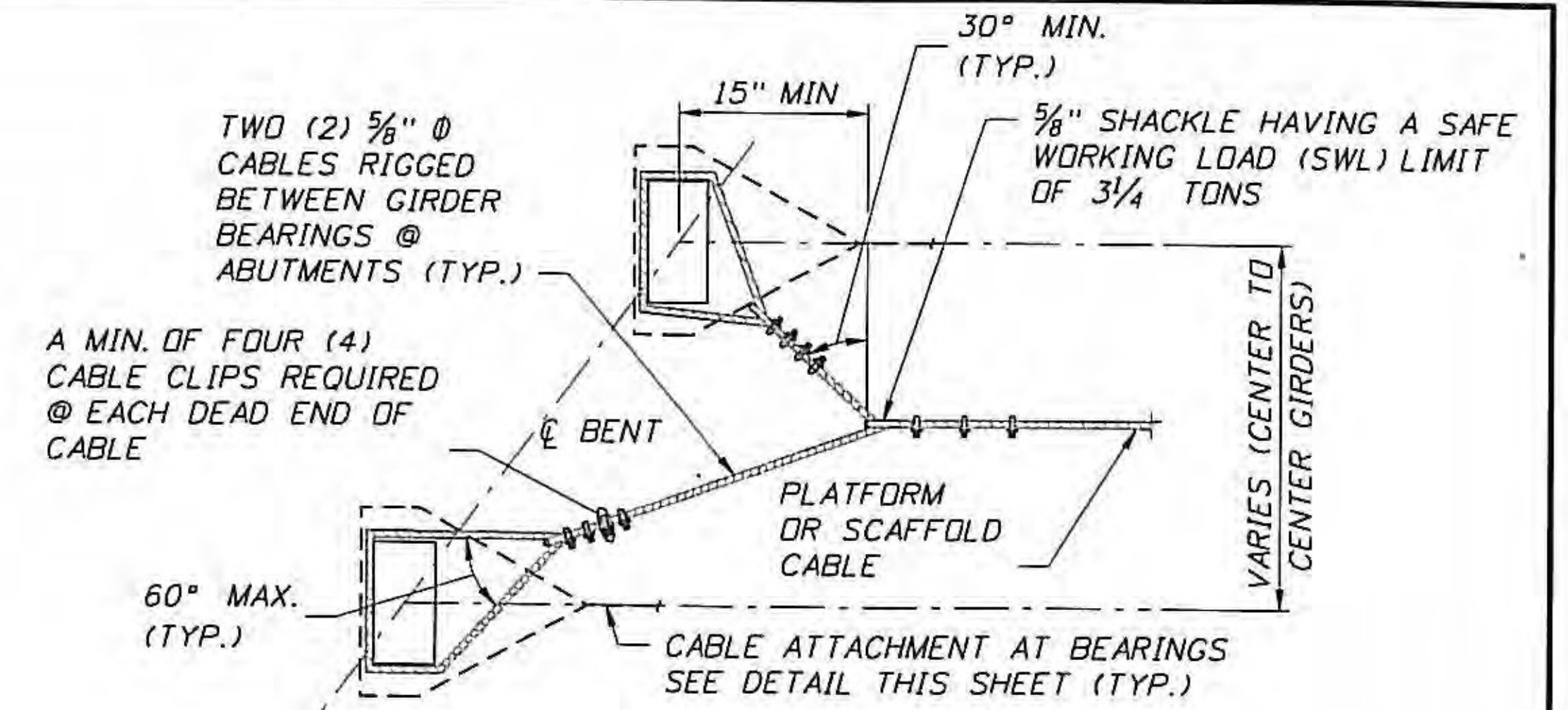


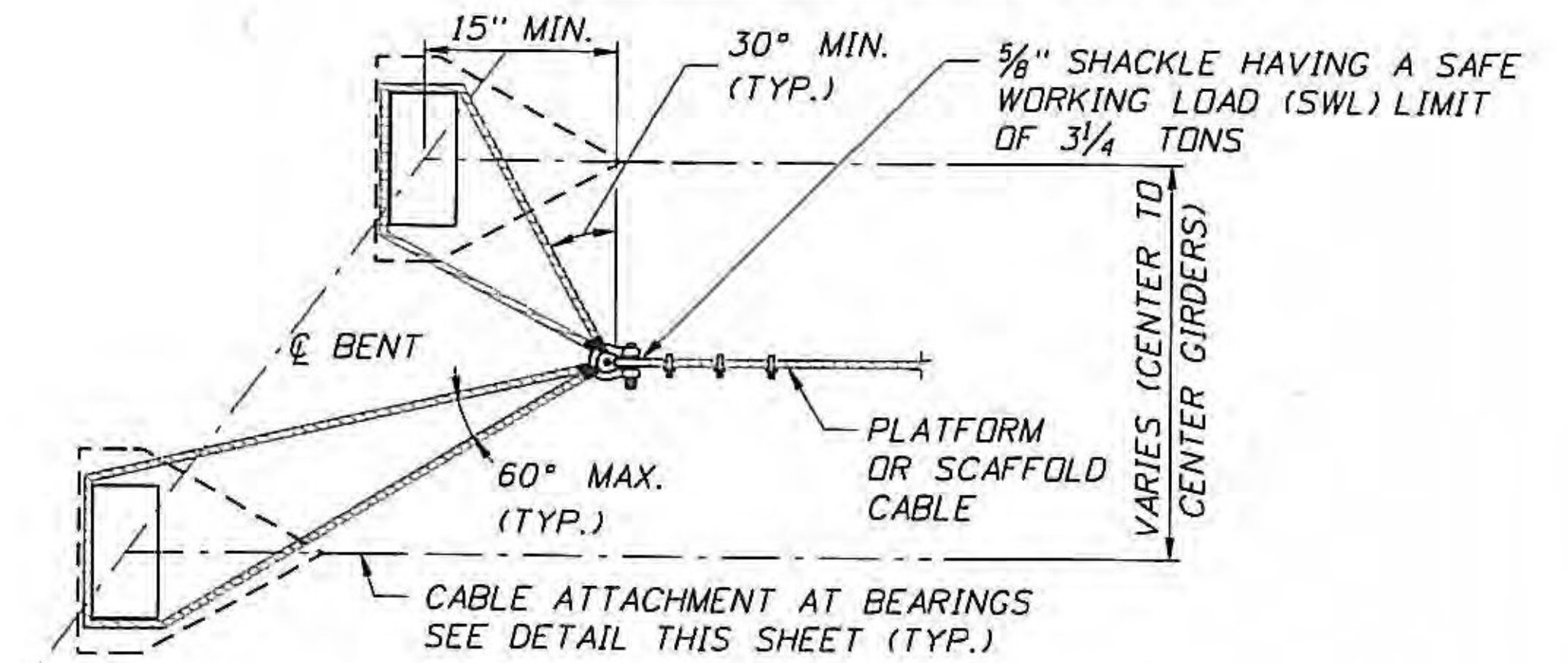
NOTE:

ATTACHMENT CABLES MAY BE RIGGED ACROSS ENTIRE WIDTH OF BRIDGE, BETWEEN FASCIA GIRDER BEARINGS AND/OR BETWEEN INDIVIDUAL PAIRS OF BEARINGS.

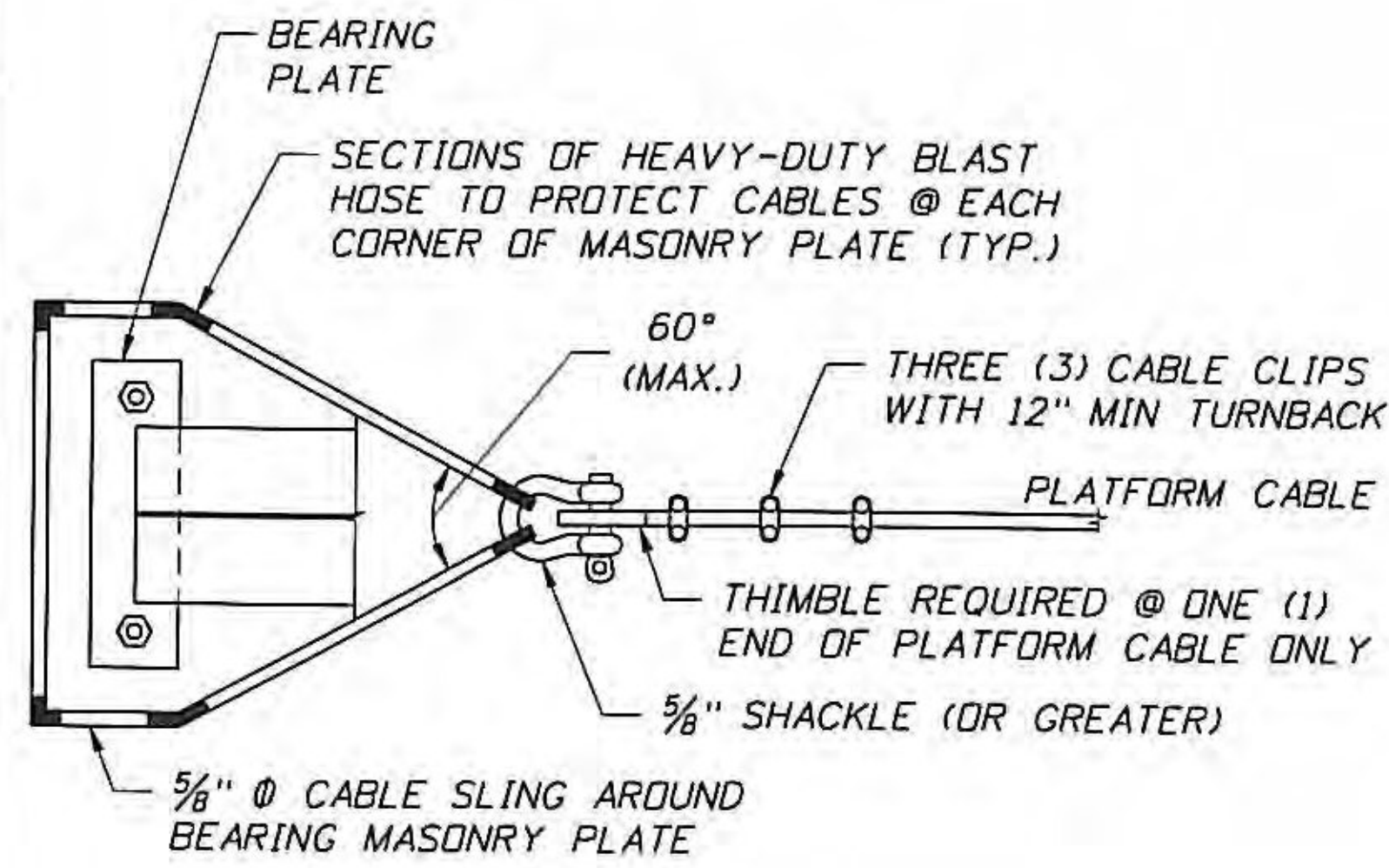
TRANSVERSE CABLE ATTACHMENT



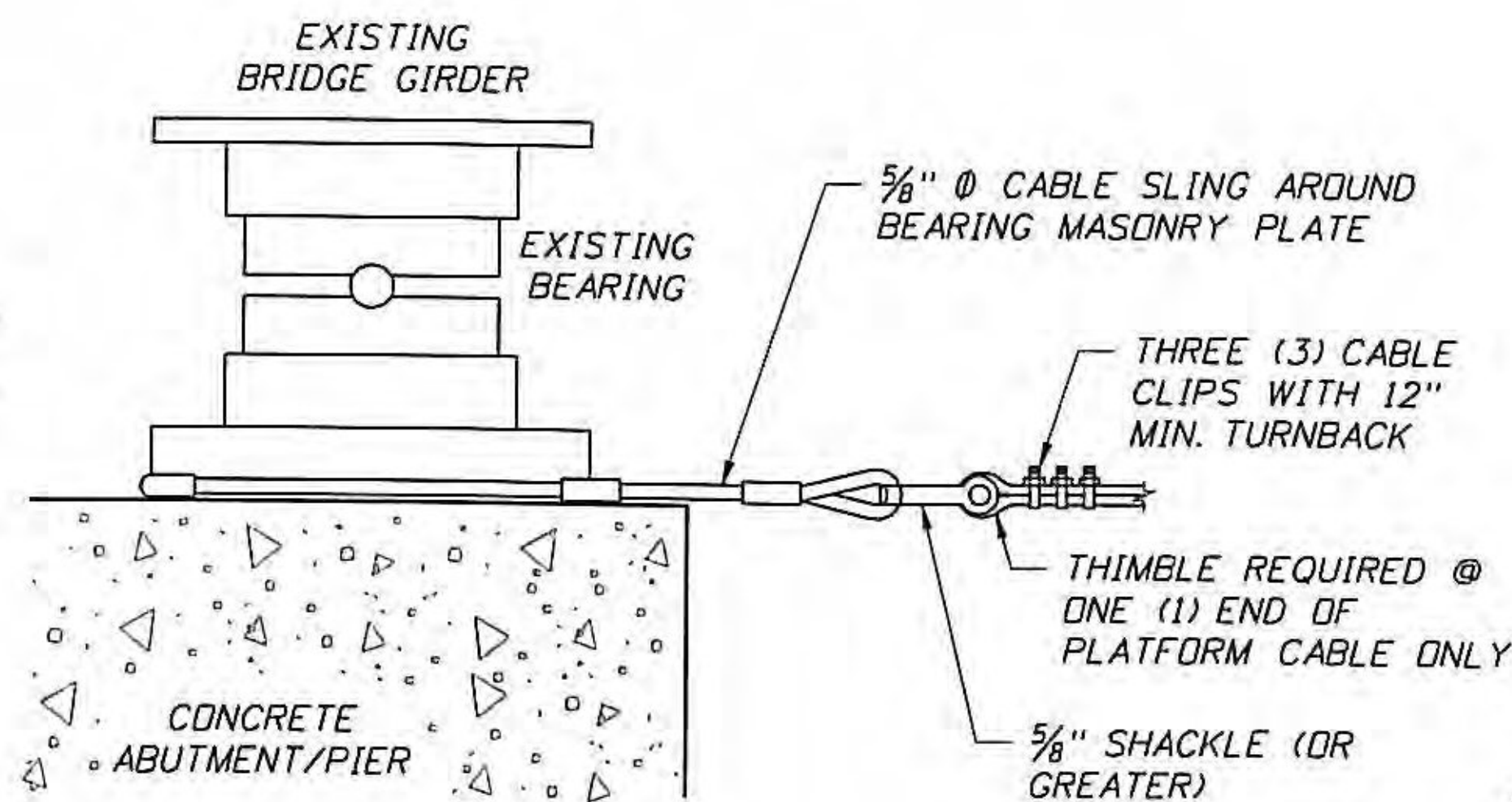
MID BAY CABLE ATTACHMENTS



MID BAY CABLE ATTACHMENTS ALTERNATE



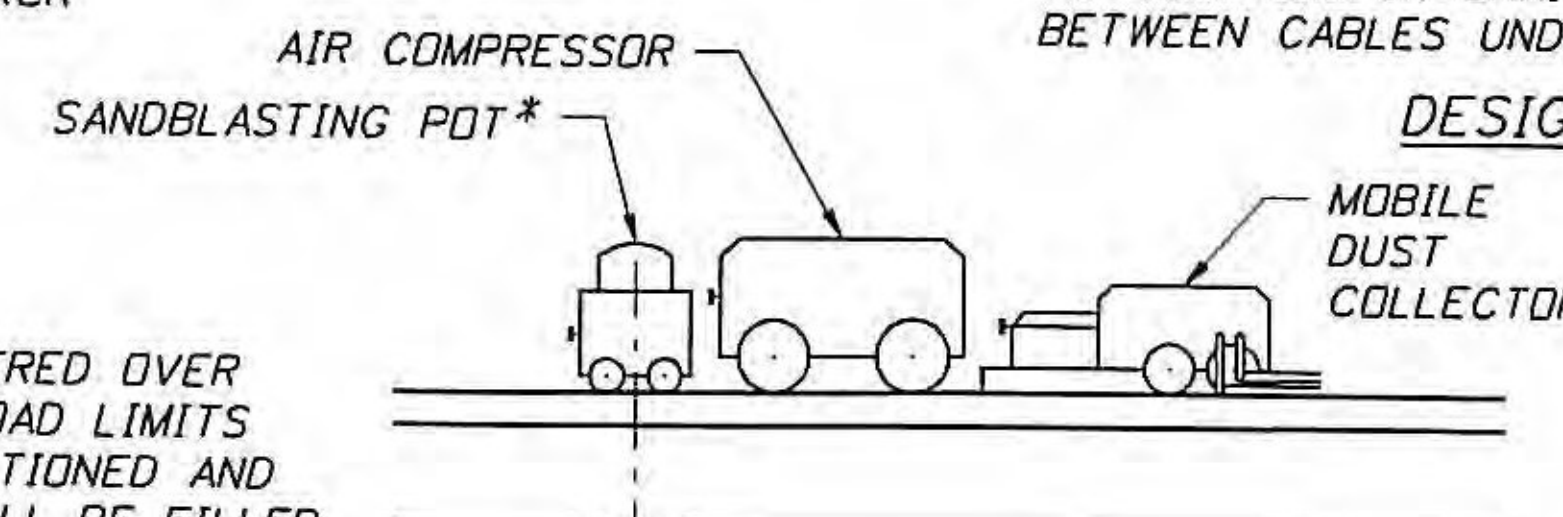
PLAN VIEW



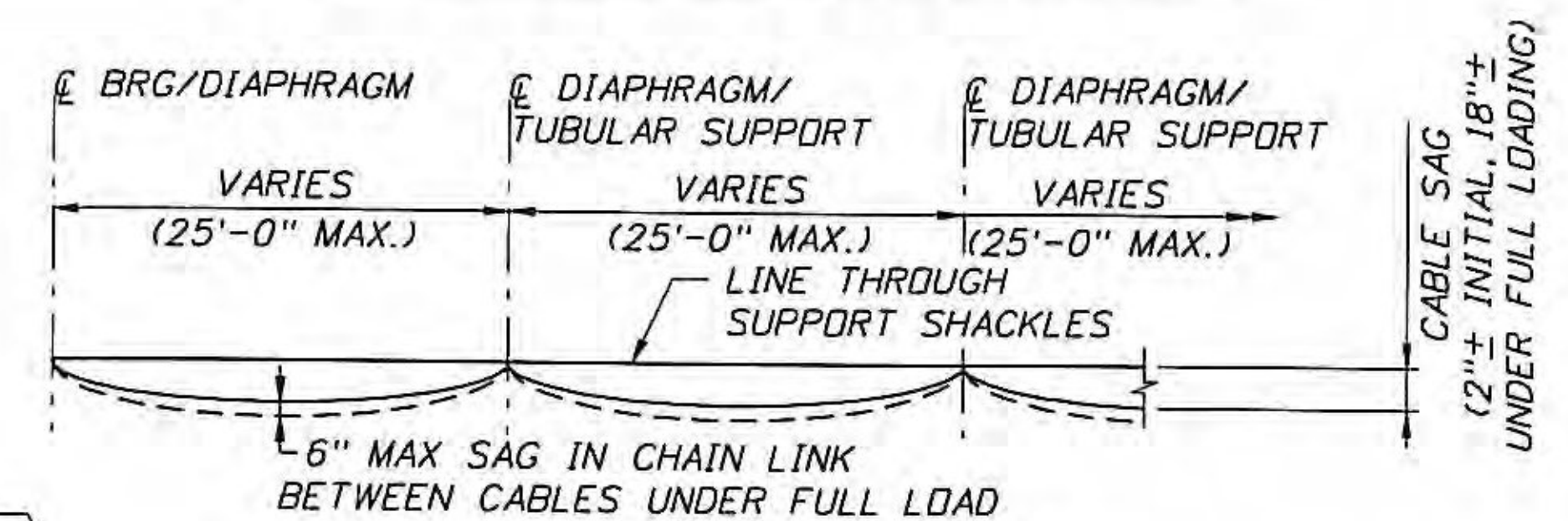
ELEVATION

CABLE ATTACHMENT AT BEARINGS

* SANDBLASTING POT SHALL BE CENTERED OVER PIER. IF EQUIPMENT EXCEEDS LEGAL LOAD LIMITS WHEN FULL, EQUIPMENT SHALL BE POSITIONED AND REMOVED ONLY WHILE EMPTY AND SHALL BE FILLED IN PLACE AS REQUIRED TO PREVENT OVERLOAD CONDITION ON BRIDGE. ANY LOAD THAT EXCEEDS LEGAL LOAD LIMIT SHALL BE SUBMITTED TO THE DEPARTMENT FOR REVIEW AND APPROVAL.



CONTRACTOR EQUIPMENT ON BRIDGE (SCHEMATIC)



DESIGN CABLE SAG



Bridge Nos. ALL

REVISIONS			DATE	BY	DESCRIPTION	DRAWN BY: BDN 02/15	CHECKED BY: PDB 02/15	DESIGNED BY: MAT 02/15	CHECKED BY: PRS 02/15	VERMONT DEPARTMENT OF TRANSPORTATION			SHEET TITLE: CONTAINMENT MISCELLANEOUS DETAILS (2 OF 4)	REF. DWG. NO.
DATE	BY	DESCRIPTION								ROAD NO.	COUNTY	PROJECT ID		
										1-91	ORANGE	1M BPNT (14)	TEN BRIDGES ON OR OVER I-91 IMPROVEMENT PLANS	C-17