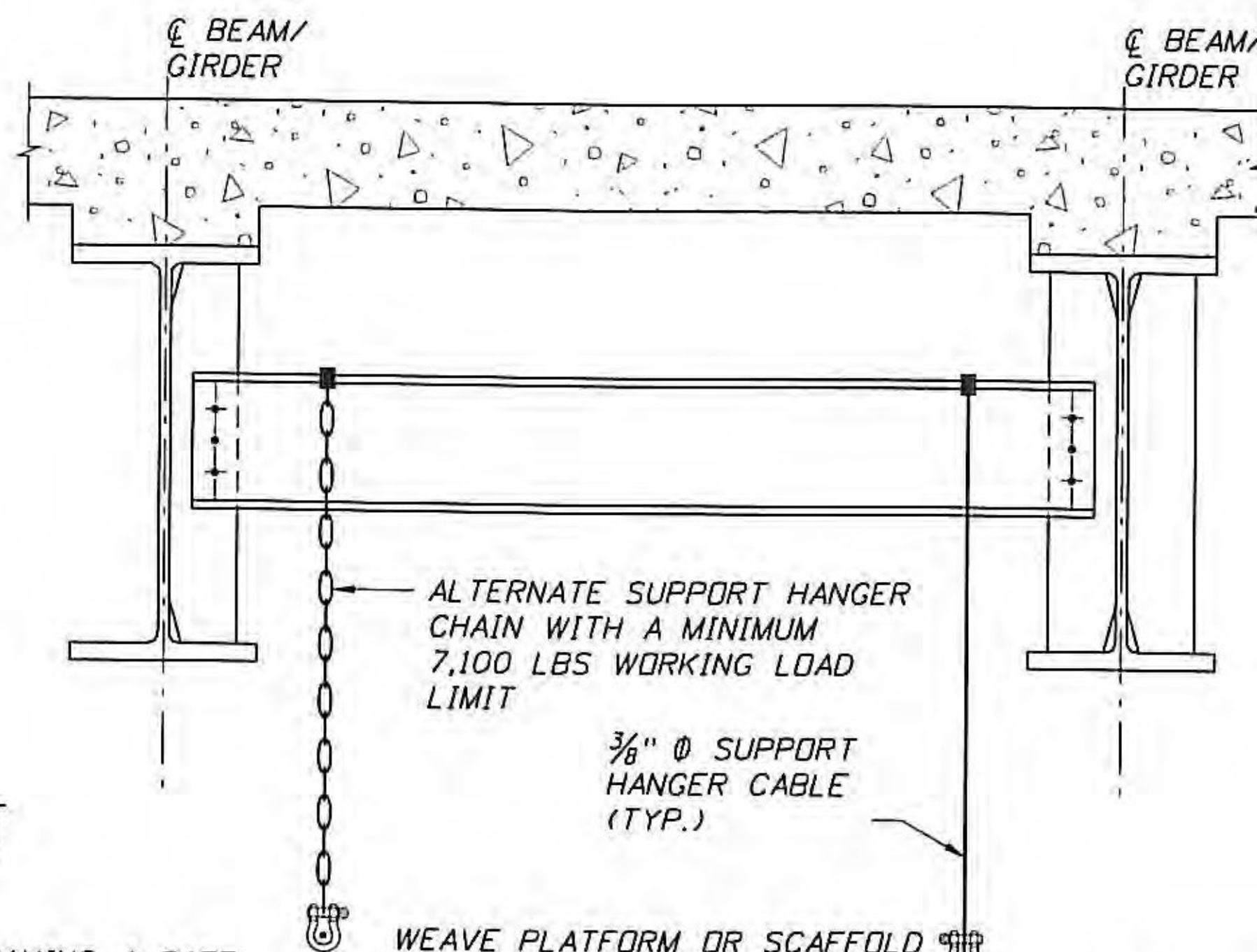
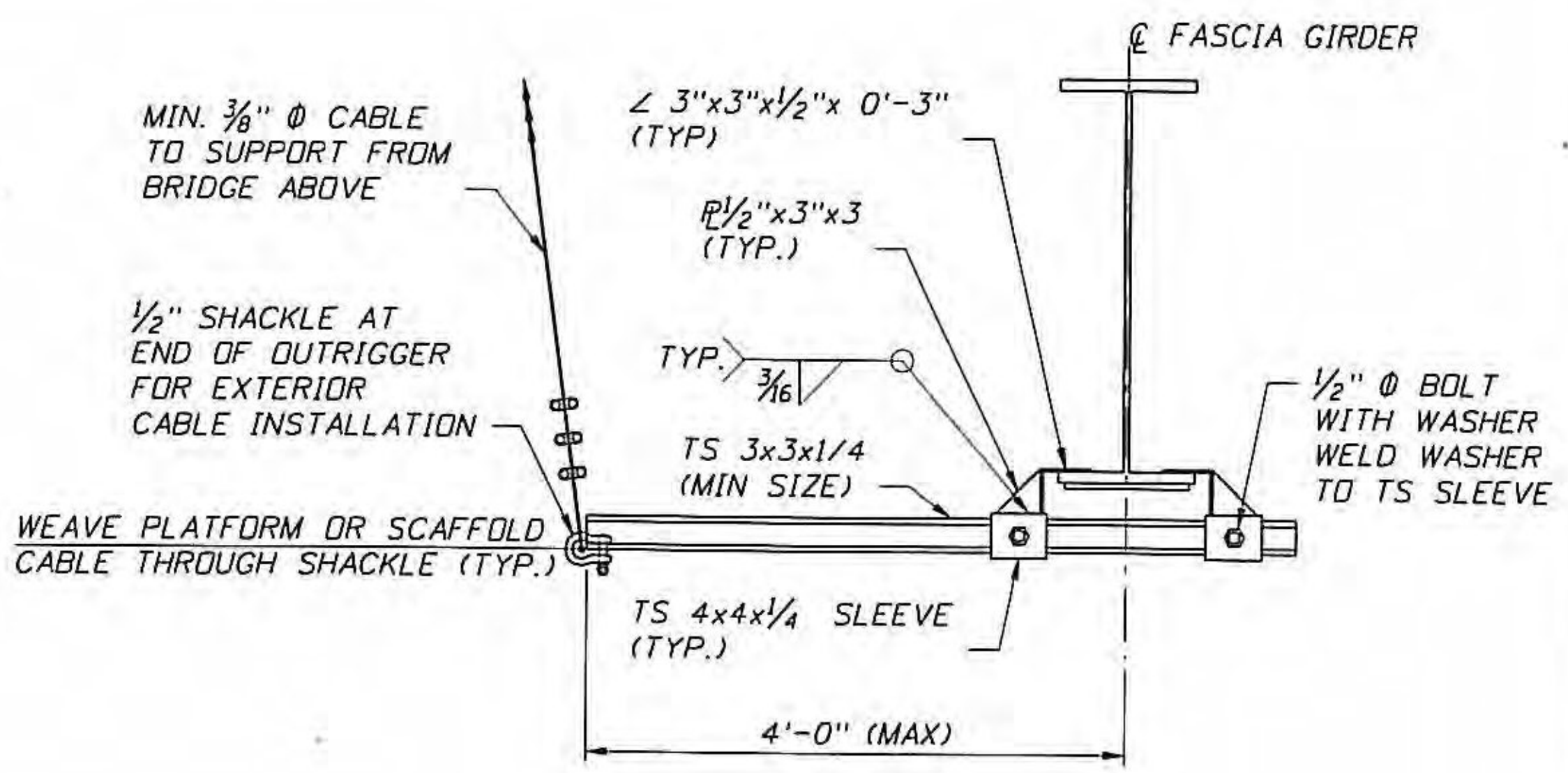


DETAIL 1



DETAIL 2

TYPICAL SUPPORT HANGER



TYPICAL OUTRIGGER DETAIL

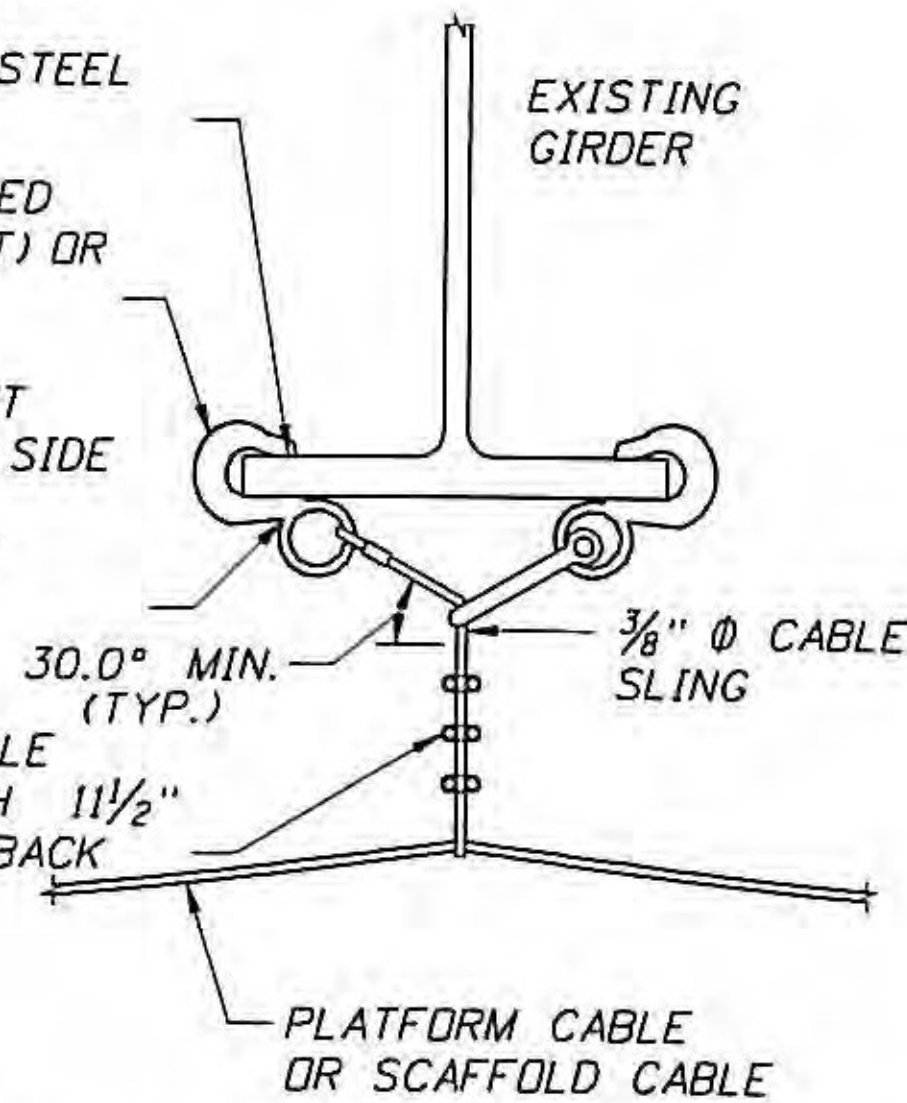
* USE TS 4X4X1/4 FOR SPACING UP TO 9'-6" OR TS 4X4X3/8 FOR SPACING UP TO 11'-0"

EYE-HOOK HANGERS MAY NOT CAUSE MARRING OR DAMAGE TO STEEL SURFACES

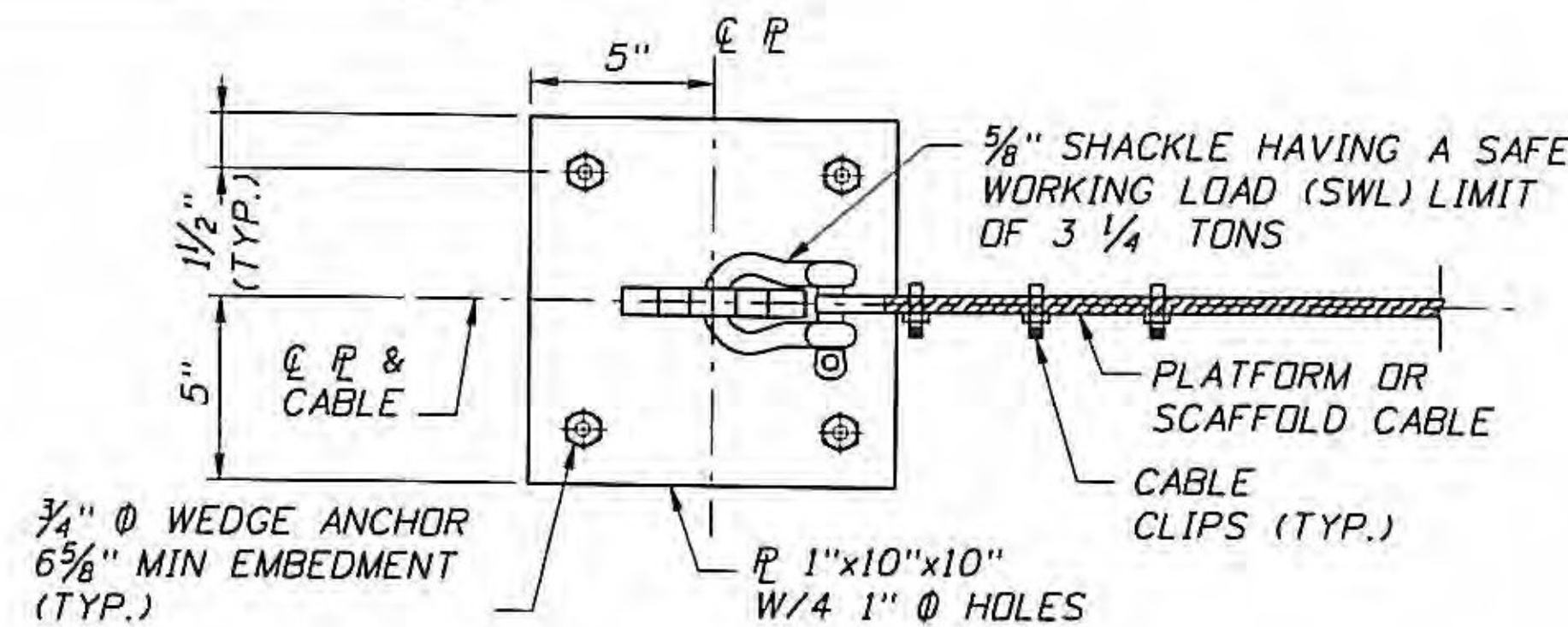
(2) 1-TON RATED EYE HOOKS (1T) OR GREATER

EYE-HOOK OR BENT BAR ON OPPOSITE SIDE OF FLANGE TO PROVIDE POSITIVE ATTACHMENT

(3) 3/8" CABLE CLIPS WITH 1 1/2" MIN. TURN BACK

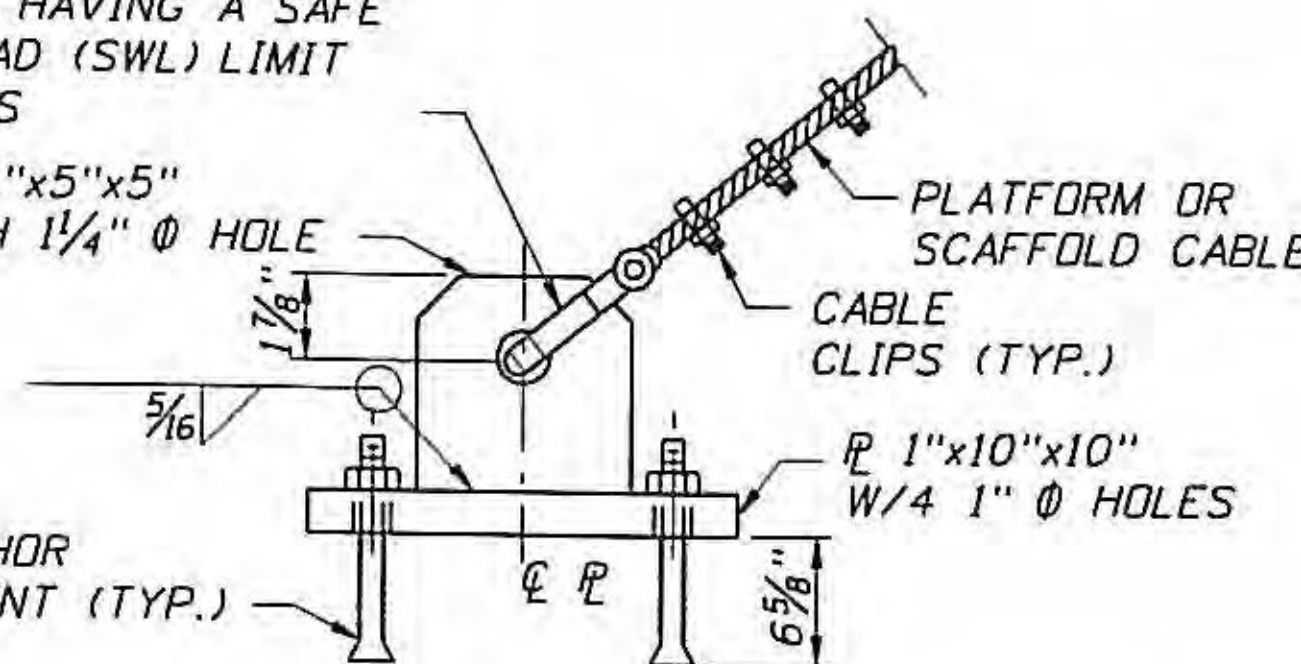


ALTERNATE SUPPORT HANGER



5/8" SHACKLE HAVING A SAFE WORKING LOAD (SWL) LIMIT OF 3 1/4 TONS

3/4" x 5" x 5" WITH 1/4" Ø HOLE



3/4" Ø WEDGE ANCHOR 6 5/8" MIN EMBEDMENT (TYP.)

OPTIONAL ANCHOR PLATE ATTACHMENT

GENERAL NOTES:

- OBTAIN APPROVAL FROM OWNER OR THE RESIDENT ENGINEER PRIOR TO INSTALLATION OF THE ANCHOR PLATE. CONSULT WITH RESIDENT ENGINEER REGARDING ANY ENCASED CONDUITS, PIPES, OR ANY OTHER KNOWN OBSTRUCTIONS PRIOR TO DRILLING.
- STRUCTURAL STEEL SHALL CONFORM TO ASTM A36.
- WELD ELECTRODES SHALL BE E70XX.
- TO RESTORE CONCRETE:
 - REMOVE ANCHORS COMPLETELY WITHOUT DAMAGING THE CONCRETE ELEMENT.
 - FINISH SURFACE WITH DOT APPROVED METHODS AND NON-SHRINK GROUT.
- MINIMUM 8" EDGE DISTANCE AND 6" CENTER TO CENTER OF BOLTS IS REQUIRED.
- CONTRACTOR SHALL ATTACH THE ANCHOR PLATES TO SOUND CONCRETE. CONCRETE THAT IS SPALLED SHALL NOT BE CONSIDERED AS SOUND. CONCRETE WITH MAP CRACKS AND EFFLORESCENCE SHOULD HAVE PULL OUT TESTS CONDUCTED ON ALL ANCHOR BOLTS TO ENSURE THAT THE PROPER CAPACITY CAN BE ACHIEVED.
- ANCHOR PLATE SHALL NOT BE ATTACHED TO PRESTRESSED PILES OR BEAMS.

INSTALLATION NOTES:

- DRILL (4) HOLES, USING THE MANUFACTURER'S RECOMMENDED DRILL BIT SIZE, INTO CONCRETE USING ANCHOR PLATE AS A TEMPLATE. (HOLES FOR ANCHOR BOLTS SHALL BE DRILLED 1/4" MINIMUM DEEPER THAN THE MINIMUM EMBEDMENT LENGTH FOR ALL ANCHOR BOLTS.)
- INSTALL ANCHOR BOLTS PER MANUFACTURER'S INSTRUCTIONS.
- INSTALL 5/8" SHACKLE (OR GREATER) ONTO THE ANCHOR PLATE.
- INSTALL MAIN CABLE ONTO SHACKLE.



Bridge Nos. ALL

REVISIONS			PAUL STEJLEN P.E. P.E. LICENSE NUMBER 107795 A2B ENGINEERING, LLC. 5406 N. HOOVER BLVD., SUITE 12 TAMPA, FL 33634	MONOKO, LLC. 1037 PENINSULA AVENUE TARPON SPRINGS, FL 34689 PHONE (727) 940-3244 FAX (727) 279-8795	DRAWN BY: BDN 02/15 CHECKED BY: PDB 02/15 DESIGNED BY: MAT 02/15 CHECKED BY: PRS 02/15	VERMONT DEPARTMENT OF TRANSPORTATION			SHEET TITLE: CONTAINMENT MISCELLANEOUS DETAILS (1 OF 4)	REF. DWG. NO.
DATE	BY	DESCRIPTION				ROAD NO.	COUNTY	PROJECT ID		
						1-91	ORANGE	1M BPNT (14)	TEN BRIDGES ON OR OVER I-91 IMPROVEMENT PLANS	C-16