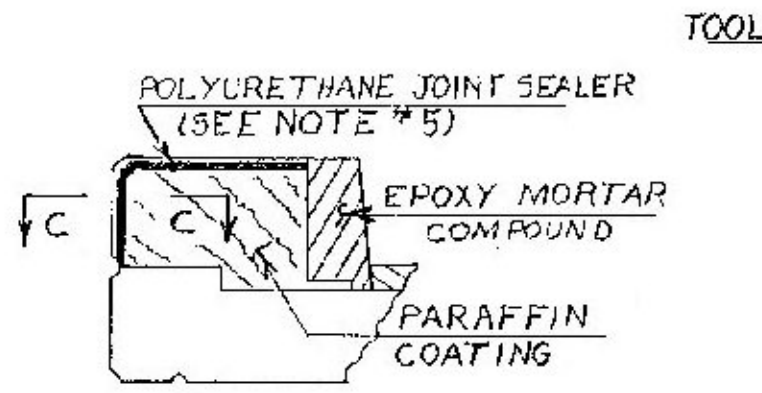
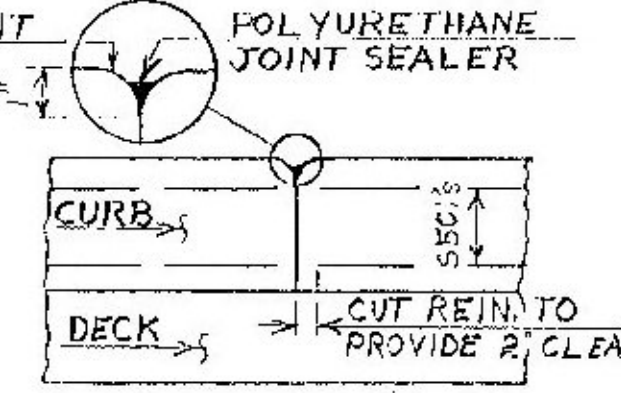


*NOTE: FOR SECTION D-D SEE BR. 107
 (D): PROVIDE 2" EXPANSION IN RAIL AT THIS JOINT.
 (E): PROVIDE 3" EXPANSION IN RAIL AT THIS JOINT.

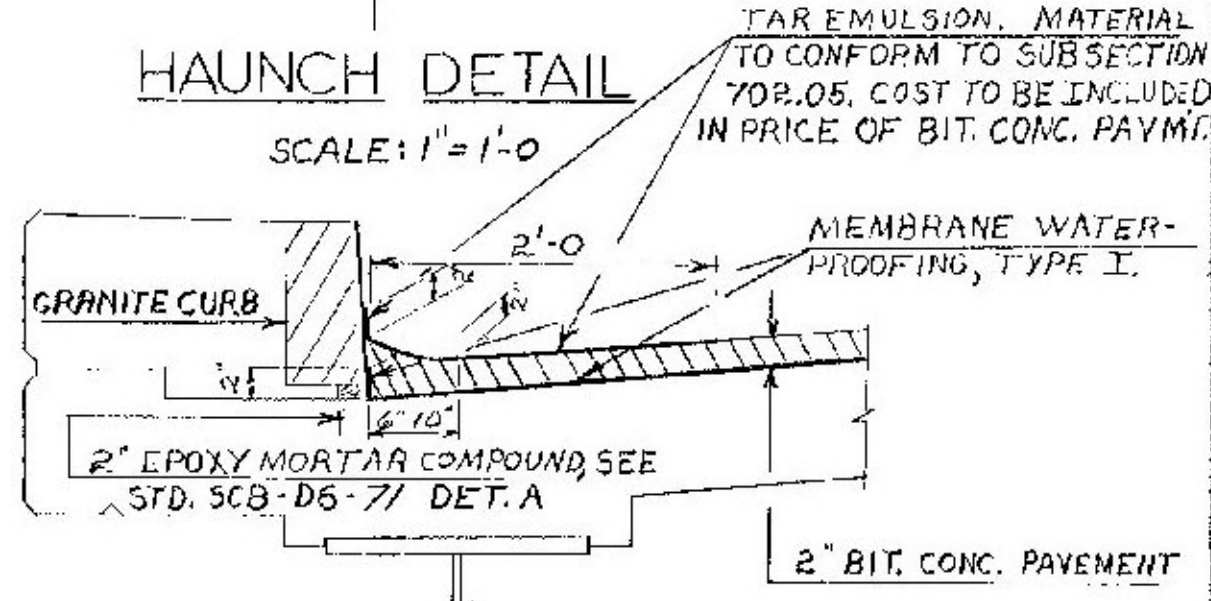
CURB & RAILING LAYOUTS
 SCALE: 1" = 20'



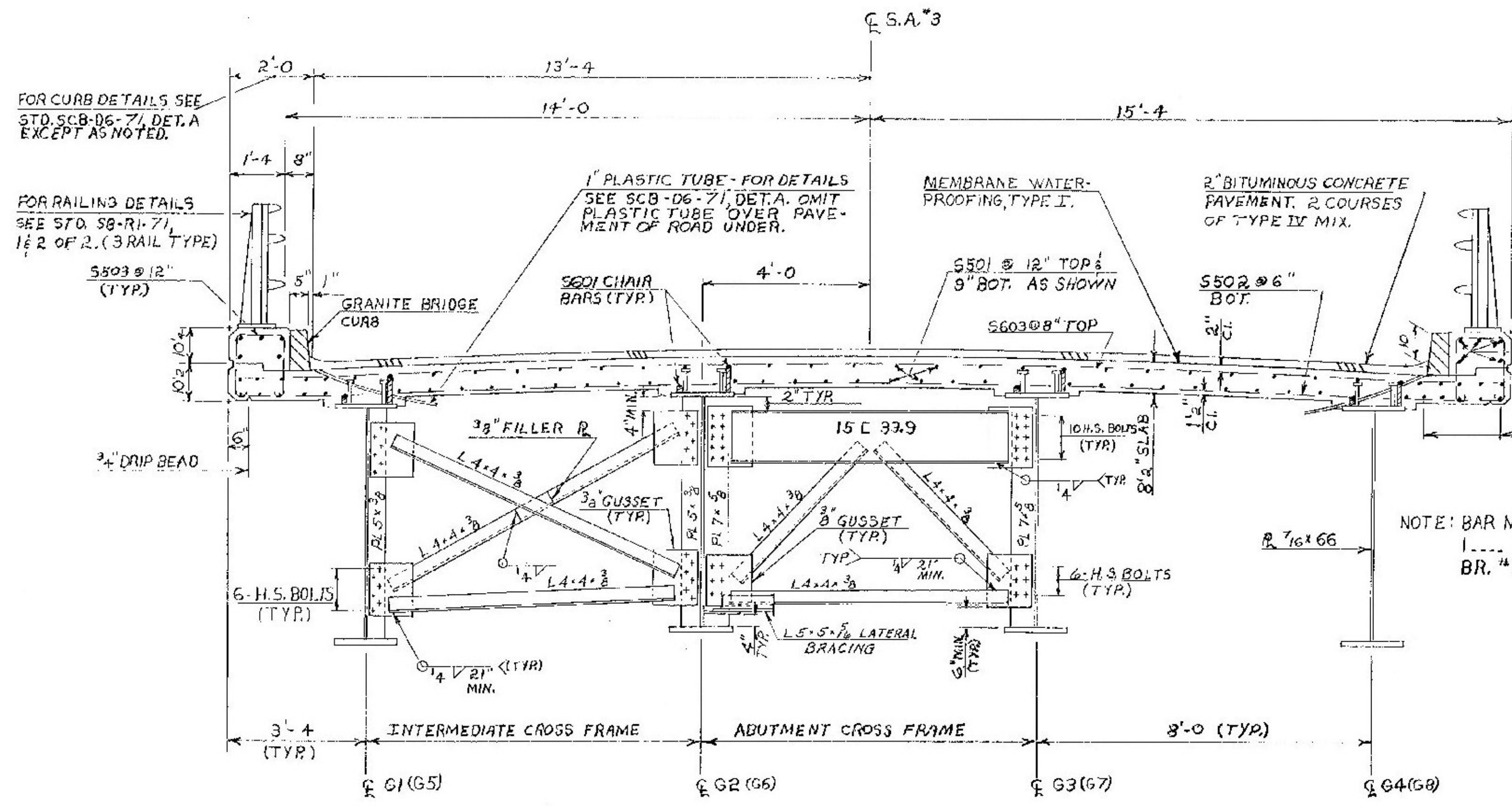
SECTION A-A
 SCALE: 3/4" = 1'-0"



SECTION B-B
 SCALE: 3/4" = 1'-0"

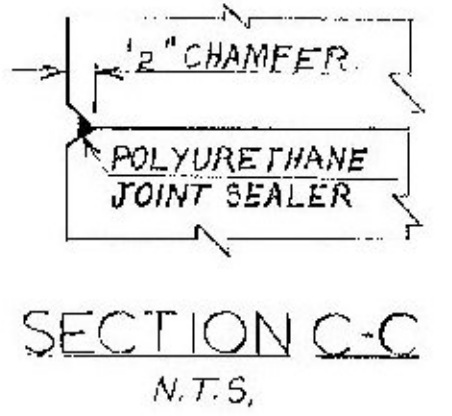


TAR EMULSION DETAIL
 SCALE: 1" = 1'-0"

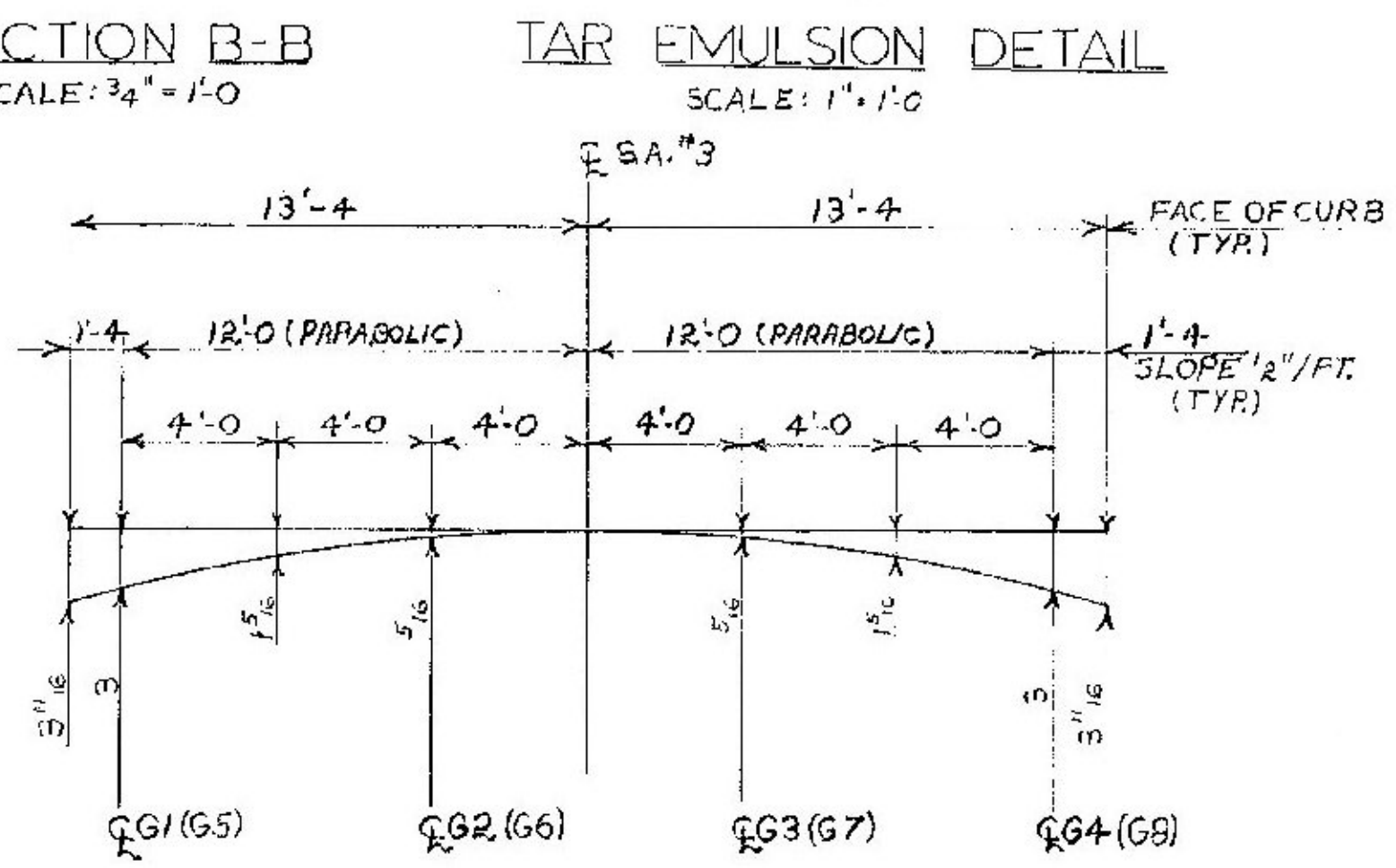


NOTE: THE BRIDGE FLOOR SHALL BE CONCRETE CLASS A, 8" THICK, DAPPED AS SHOWN ON THE HAUNCH DETAIL.

TYPICAL SECTION
 SCALE: 1/2" = 1'-0"



SECTION C-C
 N.T.S.



DETAIL OF PARABOLIC CROWN OF SLAB
 N.T.S.

NOTE: BAR MARKS ARE TO BE PREFIXED 1... FOR BR. #1 AND 2... FOR BR. #2.

NOTES

- SEE BR. 101 FOR GENERAL NOTES.
- BEARING STIFFENERS ARE TO BE SET VERTICAL, INTERMEDIATE STIFFENERS ARE TO BE SET PERPENDICULAR TO FLANGES.
- ENDS OF GIRDERS ARE TO BE CUT VERTICAL.
- CURB SECTIONS TO BE A MAXIMUM OF 80'-0" WITH JOINT TO BE LOCATED AT A GRANITE BRIDGE CURB JOINT AND SPACED 1'-0" MIN. FROM ADJACENT RAIL POST.
- TOOL OR FORM SLOT IN CONCRETE CURB JOINT AND SEAL WITH POLYURETHANE JOINT SEALER CONFORMING TO SECTION 513.03, PARAFFIN AND POLYURETHANE JOINT SEALER TO BE INCLUDED IN THE UNIT PRICE BID FOR CONCRETE CLASS A.
- CURB CONCRETE IS TO BE PLACED IN ALTERNATE SECTIONS WITH 48 HOURS MINIMUM BETWEEN ADJACENT POURS.
- PAYMENT FOR EPOXY MORTAR COMPOUND SHALL BE INCLUDED IN THE UNIT PRICE BID FOR GRANITE BRIDGE CURB, ITEM 616.17.
- ALL STRUCTURAL STEEL SHALL BE CLEANED PRIOR TO SHOP PAINTING USING ANY METHOD SPECIFIED IN SECTION 513.03, SURFACE PREPARATION.
- FORM SUPPORTS FOR SLAB OVERHANG SHALL BE PLACED AT 4'-0" C.C. MAX.

BRADFORD - NEWBURY
 IM BPNT (14)
 PROJECT BRIDGE 62
 SHEET 22 OF 26
 FOR INFORMATION ONLY

STATE OF VERMONT
 DEPARTMENT OF HIGHWAYS

PROJECT BRADFORD - NEWBURY
 TOWN OF BRADFORD

ROUTE No. I 91 STA. 5536+50±
 S.A. #3 OVER I-91

TYPICAL SECTION CURB & RAILING LAYOUT
 SCALE AS NOTED

SECTION SUPERVISOR J. WOOD

DRAWN BY N. DANFORTH, CHECKED BY V. TRIER, J. TL.

PROJECT NO. I 91-201CONC #2
 SHEET 22 OF 347 BR. 106