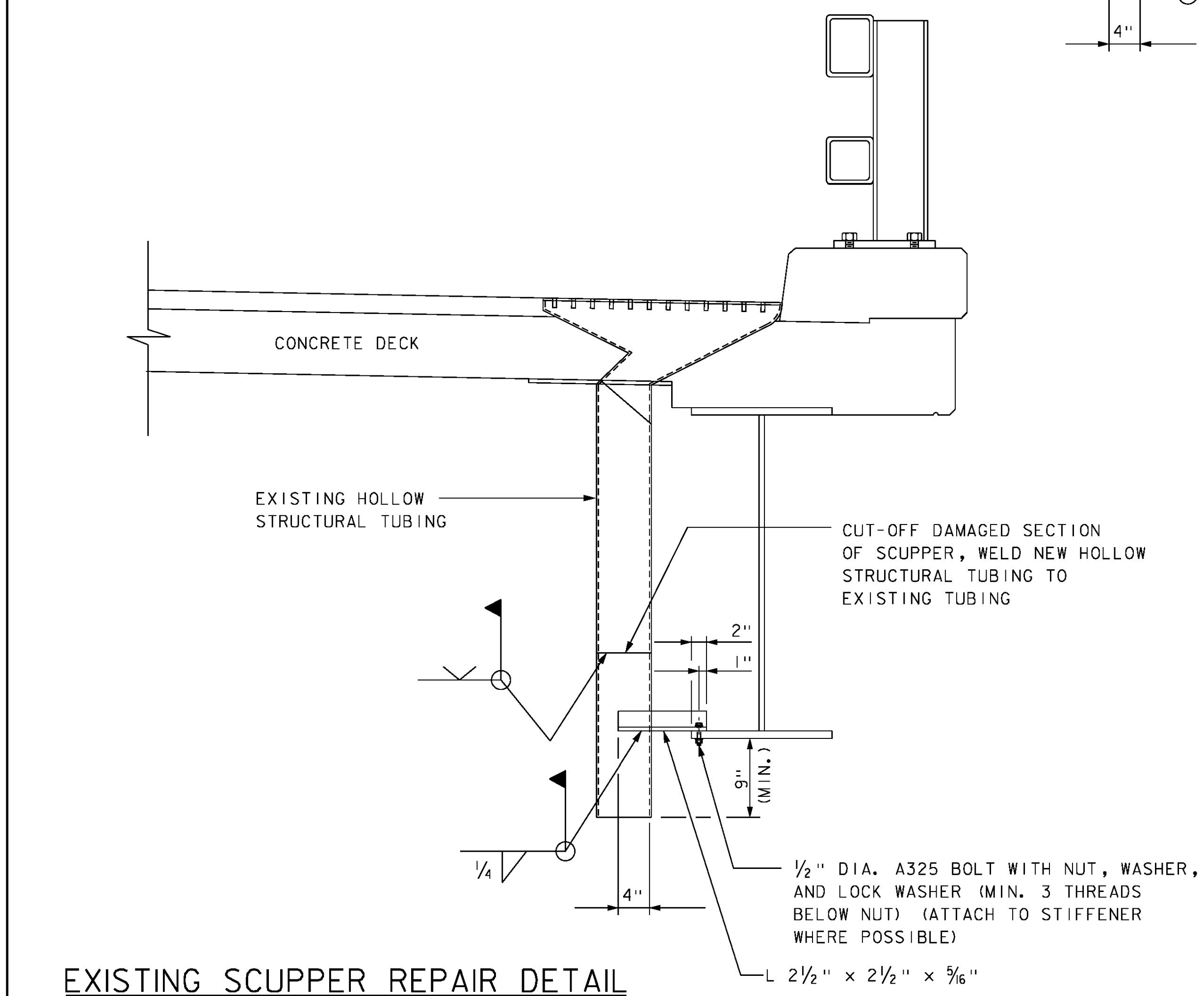


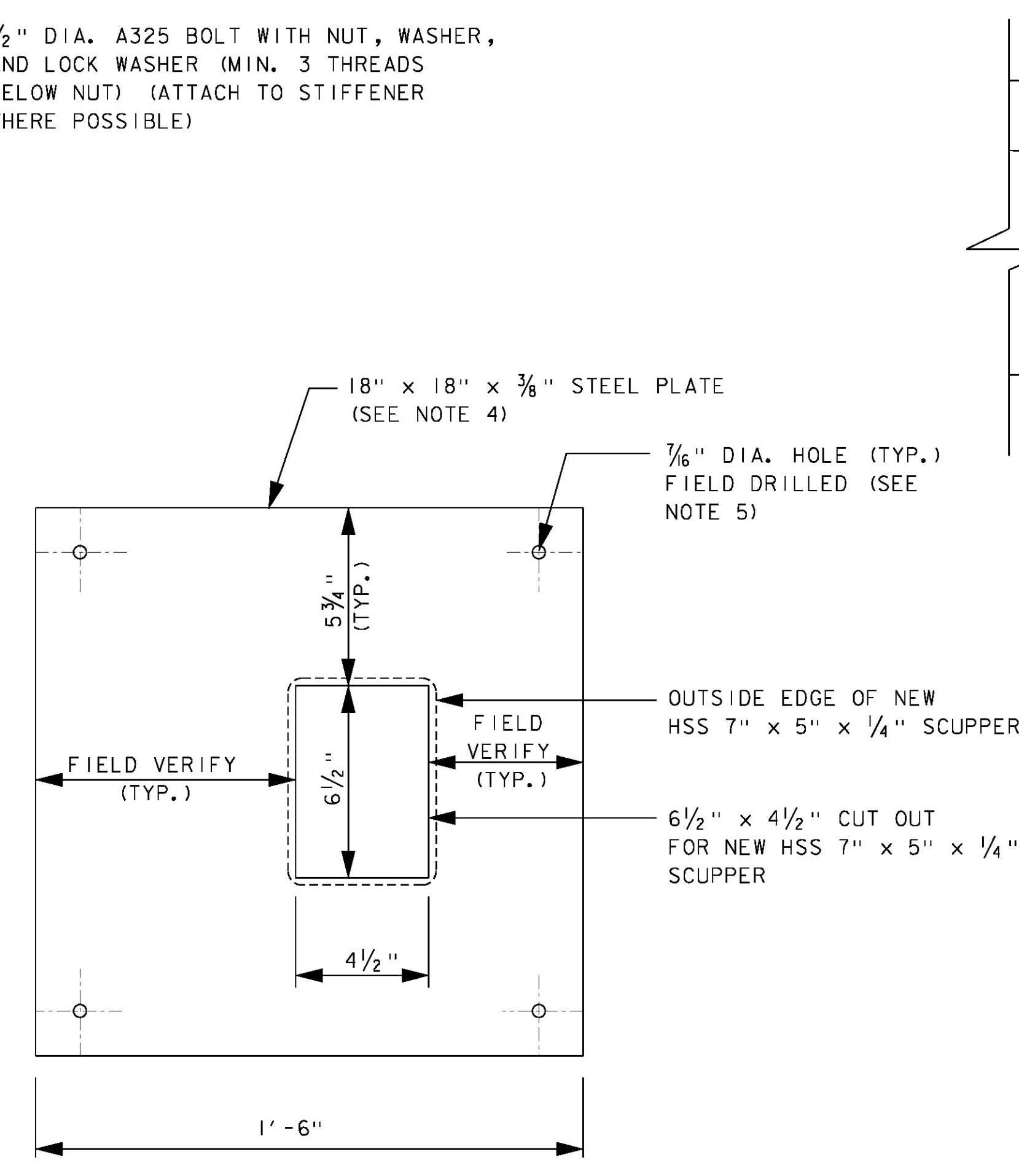
**SCUPPER REPLACEMENT DETAIL**  
SCALE: 1" = 1'-0"

**NOTES:**

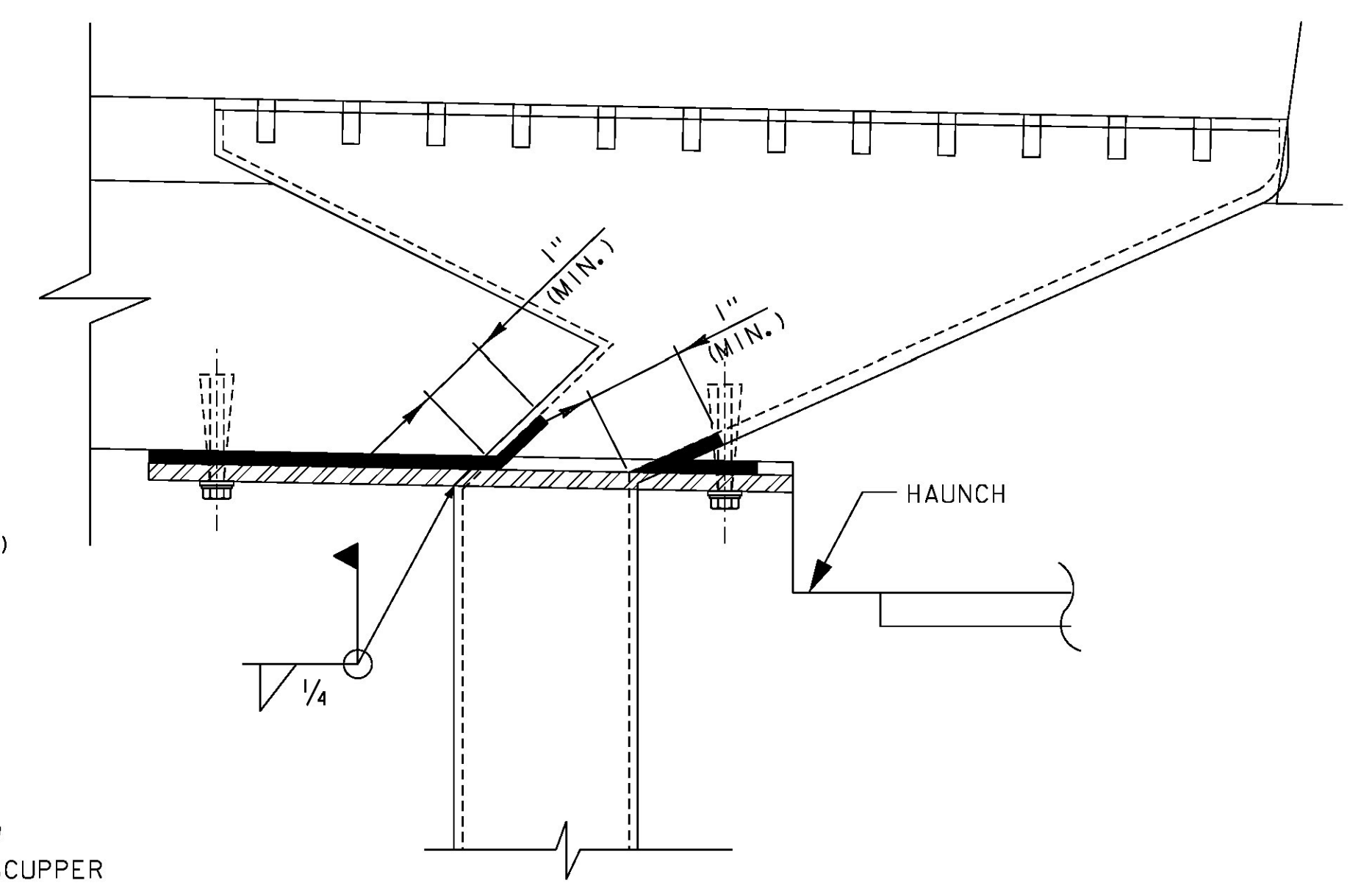
1. ALL THE DETERIORATED SCUPPERS WITH SIGNIFICANT LOSS OF SECTION SHALL BE CUT OFF ABOVE THE DETERIORATION AREA. IF THE DETERIORATION EXTENDS TO THE UNDERSIDE OF THE DECK, THE SCUPPER SHALL BE CUT OFF AND REPLACED. THE ENGINEER SHALL APPROVE THE EXTENT OF THE REPAIR FOR EACH DETERIORATED SCUPPER IDENTIFIED BY THE CONTRACTOR PRIOR TO BEING REPAIRED OR REPLACED.
2. ADHESIVE SIDE OF NEOPRENE SHALL BE PLACED ON THE UNDERSIDE OF CONCRETE DECK AND INTERIOR OF EXISTING SCUPPER AROUND PERIMETER OF DRAIN. NEOPRENE SHALL COVER ENTIRE SURFACE OF THE STEEL PLATE AND EXTEND A MINIMUM OF 1" UP INTO THE INTERIOR OF THE EXISTING SCUPPER DRAIN.
3. ALL EXISTING DIMENSIONS AND SCUPPER SIZES SHALL BE FIELD VERIFIED.
4. PLATE SHALL BE CUT IN THE FIELD TO ACCOMMODATE HAUNCH.
5. BOLT HOLES SHALL BE FIELD DRILLED AND SHALL HAVE A MINIMUM EDGE DISTANCE OF 1 1/2" EXCEPT WHERE NOTED OTHERWISE.
6. ALL NEW STEEL SHALL BE ZINC PRIMED AND COATED THE SAME NEPCOAT SYSTEM AND COLOR AS THE MAIN MEMBERS. COATING IS ONLY REQUIRED ON THE EXTERNAL SURFACE OF THE SCUPPER DOWNSPOUT.
7. ALL WELDING SHALL CONFORM WITH THE PROVISIONS OF SUBSECTION 506.10.
8. HOLLOW STRUCTURAL STEEL TUBING SHALL CONFORM TO ASTM A-500 GRADE C.
9. STEEL PLATES AND ANGLES SHALL CONFORM TO AASHTO M270, GRADE 50 (ASTM A709, GRADE 50).
10. HIGH STRENGTH BOLTS, NUTS AND CIRCULAR WASHERS SHALL CONFORM TO SUBSECTION 714.05.
11. ALL WORK TO BE PAID UNDER ITEM 506.75, STRUCTURAL STEEL.
12. THESE DETAILS ARE ILLUSTRATED AS AN EXAMPLE. CONTRACTOR TO SUBMIT FABRICATION DRAWINGS FOR APPROVAL.
13. NEOPRENE RUBBER GASKET SHALL BE CLOSED CELL, DUROMETER HARDNESS SHORE A OF 40 TO 60, TYPE EA-WATER RESISTANT, AND EF-FUEL RESISTANT.



**EXISTING SCUPPER REPAIR DETAIL**  
SCALE: 1" = 1'-0"



**DETAIL B**  
SCALE: 3" = 1'-0"



**DETAIL A**  
SCALE: 3" = 1'-0"

**PROJECT STANDARD  
DETAILS (2)**

PROJECT NAME: BRADFORD-NEWBURY	PLOT DATE: 11-AUG-2014
PROJECT NUMBER: IM BPNT (14)	DRAWN BY: S.BROWN
FILE NAME: z525458det_3.dgn	CHECKED BY: R.GAUDREAU
PROJECT LEADER: G.K.DONINGTON	SHEET 4 OF 26
DESIGNED BY: S.BROWN	
de+3.dgn	

