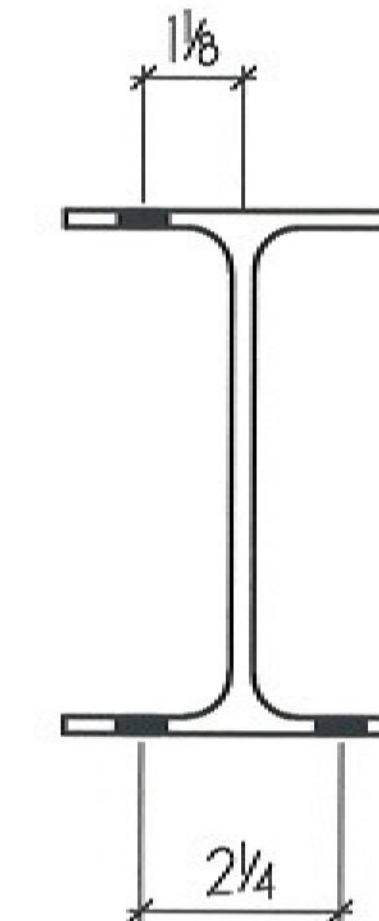
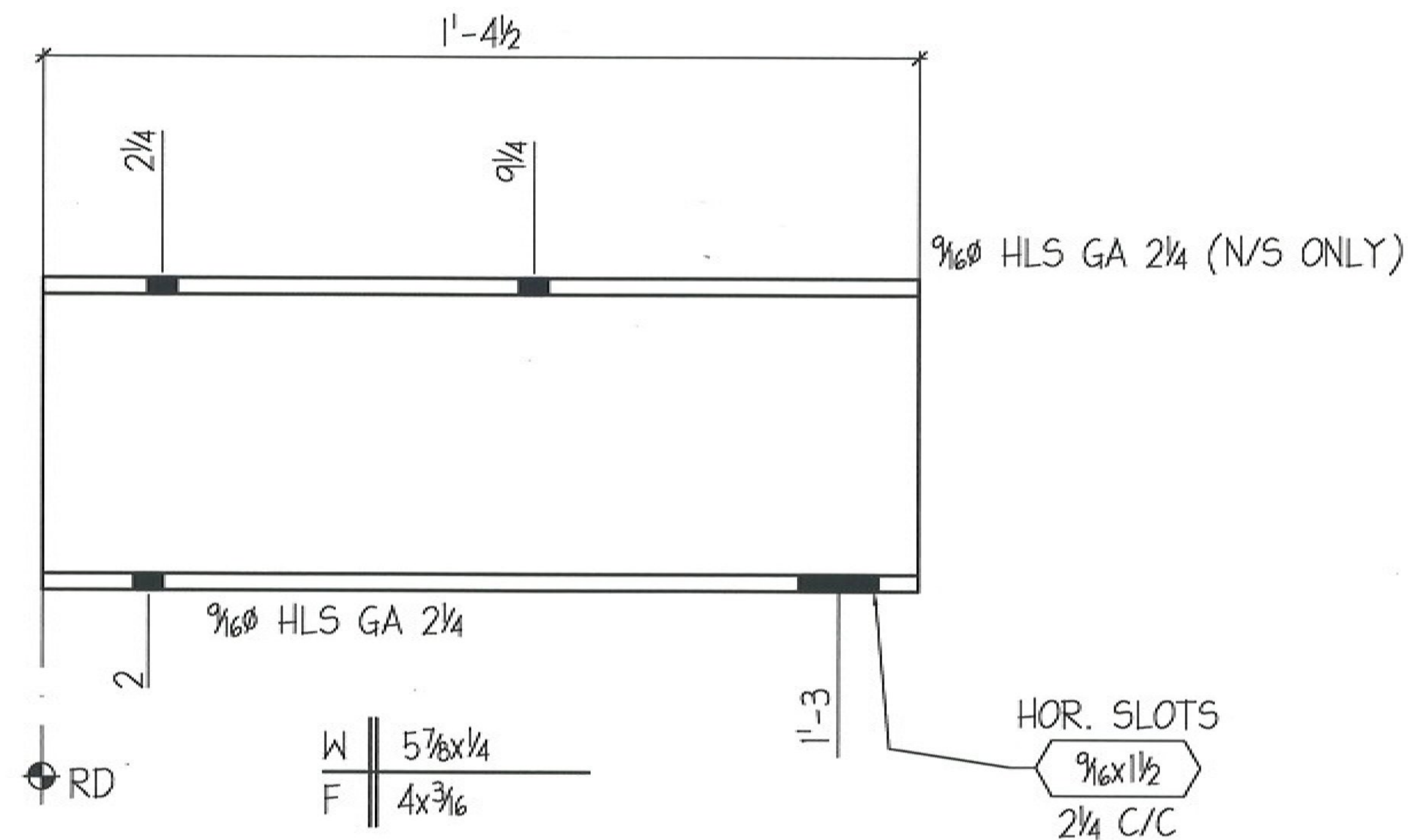


Vermont Agency of Transportation
RECEIVED

CK'D BY Mark SargentS OK'D BY Mark Sargent

April 17, 2017

RESUBMIT No Approved AsNoted
BY Mark Sargent DATE 06/14/2017



HOT DIP GALV. PER
A.S.T.M. A123
SHOP PROVIDE 9/16" VENT
HLS. AS REQ'D.

10 ~ BEAMS ~ IBI
REF: EI

SUBMITTAL REVIEW

Review is only for general conformity to the contract drawings and specifications and shall not relieve the contractor of his entire responsibility under the contract, including among other things, dimensions to be confirmed and correlated at the job site, and information that pertains to the fabrication processes or to techniques of construction.

- NO EXCEPTIONS TAKEN
- MAKE CORRECTIONS NOTED
RESUBMITTAL NOT REQUIRED
- AMEND AND RESUBMIT
- REJECTED - SEE REMARKS

PARSONS BRINCKERHOFF, INC.
BY: *Stephan L. Bourington*
DATE: *5/18/17*

BRIDGE 42 NORTH & SOUTH

NO.	DATE	REVISION
2	4/19/17	Per App'l
1	3/3/17	Per Check'g

SHIP QTY	ASSEMBLY QTY	SECTION	FT	INCH	ASSEMBLY MARK	SHIP MARK	REMARKS	WEIGHT	Holes: 9/16" UNO	Shop Bolts: A325-TC	Material: W's - A992-50, HSS - A500 Grd B, Pipe - A53 Grd B, Bars & P & L - A36	Electrodes: E70XX/E71-T	E DWG REF: EI	ENGR DWG REF: EI	SEQ / DIV:	GRID LOCATION:	TOS ELEVATION:	NOTES:
10		W6x9	1	4 1/2		IBI												
20		1/2" A325	0	1 1/4		IFB1	A325											
20		1/2" A325	0	1 1/2		IFB2	A325											

Process	Initial	Date
Saw		
Drill		
Fitter		
Weld		
Prep		
Paint		
Load		

RELIANCE STEEL
94 SOUTH OAK CIRCLE, COLCHESTER, VT 05446
TEL 802-655-4810 FAX 802-655-9352
www.reliancesteelvt.com

CUSTOMER Monoko				
PROJECT Bridge Downspouts & Components				
DETAIL Trough Beam				
DRAWN/CHECKED	DATE	JOB NO.	DWG NO.	REV
RCL	FEB 2017	7324	01	2