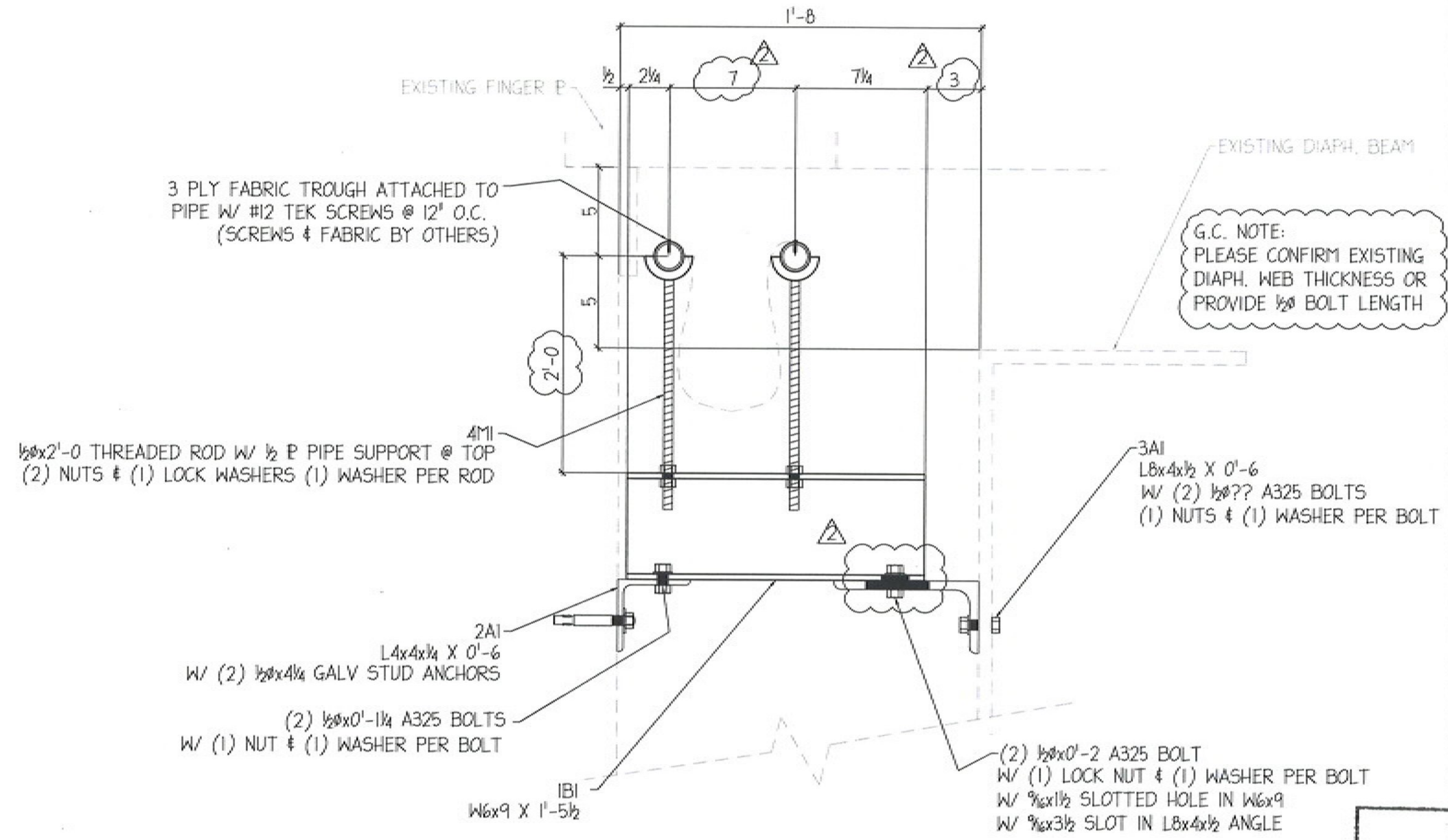
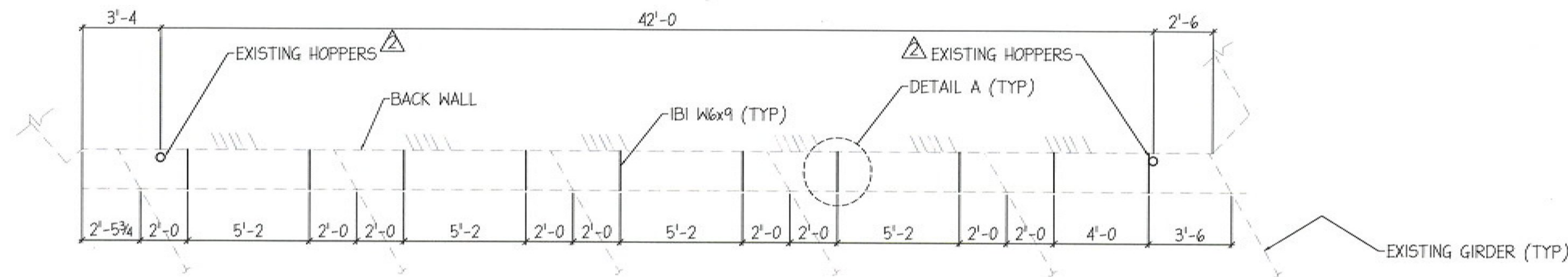


Notes:

- 1.) Trough support brackets shall not be welded to girder web.
- 2.) No field welding shall be done to compromise galvanized coating system.
- 3.) Structural steel tubing shall conform to ASTM-A500 or ASTM-A501 and shall be galvanized in accordance with ASTM A-123 after fabrication. All plates, bars and angles shall conform to ASTM A-36 and shall also be galvanized in accordance with ASTM-123 after fabrication. Cradle assemblies shall consist of threaded rods (ASTM A568, Class 4.6), Nuts (ASTM A563), and washers (ASTM F486), Finish to be hot dipped zinc coating (ASTM A153).



DETAIL A
N.T.S.
NOTE:
DETAIL ENLARGED PER REV. 2
TO CLARIFY DIMENSIONS/DETAIL
QUESTIONS



PLAN VIEW V TROUGH'S

ALL MATERIAL HOT-DIP GALV. PER ASTM A123 GALVANIZED SEE NOTE 3.

Vermont Agency of Transportation
RECEIVED

CK'D BY Mark SargentS OK'D BY Mark Sargent

April 17, 2017

RESUBMIT No Approved AsNoted
BY Mark Sargent DATE 06/14/2017

SUBMITTAL REVIEW	
Review is only for general conformity to the contract drawings and specifications and shall not relieve the contractor of his entire responsibility under the contract, including among other things, dimensions to be confirmed and correlated at the job site, and information that pertains to the fabrication processes or to techniques of construction.	
<input type="checkbox"/>	NO EXCEPTIONS TAKEN
<input checked="" type="checkbox"/>	MAKE CORRECTIONS NOTED RESUBMITTAL NOT REQUIRED
<input type="checkbox"/>	AMEND AND RESUBMIT
<input type="checkbox"/>	REJECTED - SEE REMARKS
PARSONS BRINCKERHOFF, INC.	
BY: <i>Stephen L. Baymatz</i>	
DATE: <i>5/17/17</i>	

NO.	DATE	REVISION
△	4/19/17	Per App'l
△	3/3/17	Per Check'g
RELIANCE STEEL		
94 SOUTH OAK CIRCLE, COLCHESTER, VT 05446 TEL 802-655-4800 FAX 802-655-9352 www.reliancesteelvt.com		
CUSTOMER Monako		
PROJECT Bridge Troughs		
DETAIL Trough Plan & Details		
DRAWN/CHECKED	DATE	JOB NO.
RCL	FEB 2017	7324
DWG NO.	REV	
EI	△	

PROJECT LOCATION: WINDSOR-HARTFORD, VT IM BPNT (13)
BRIDGE 42 NORTH & SOUTH