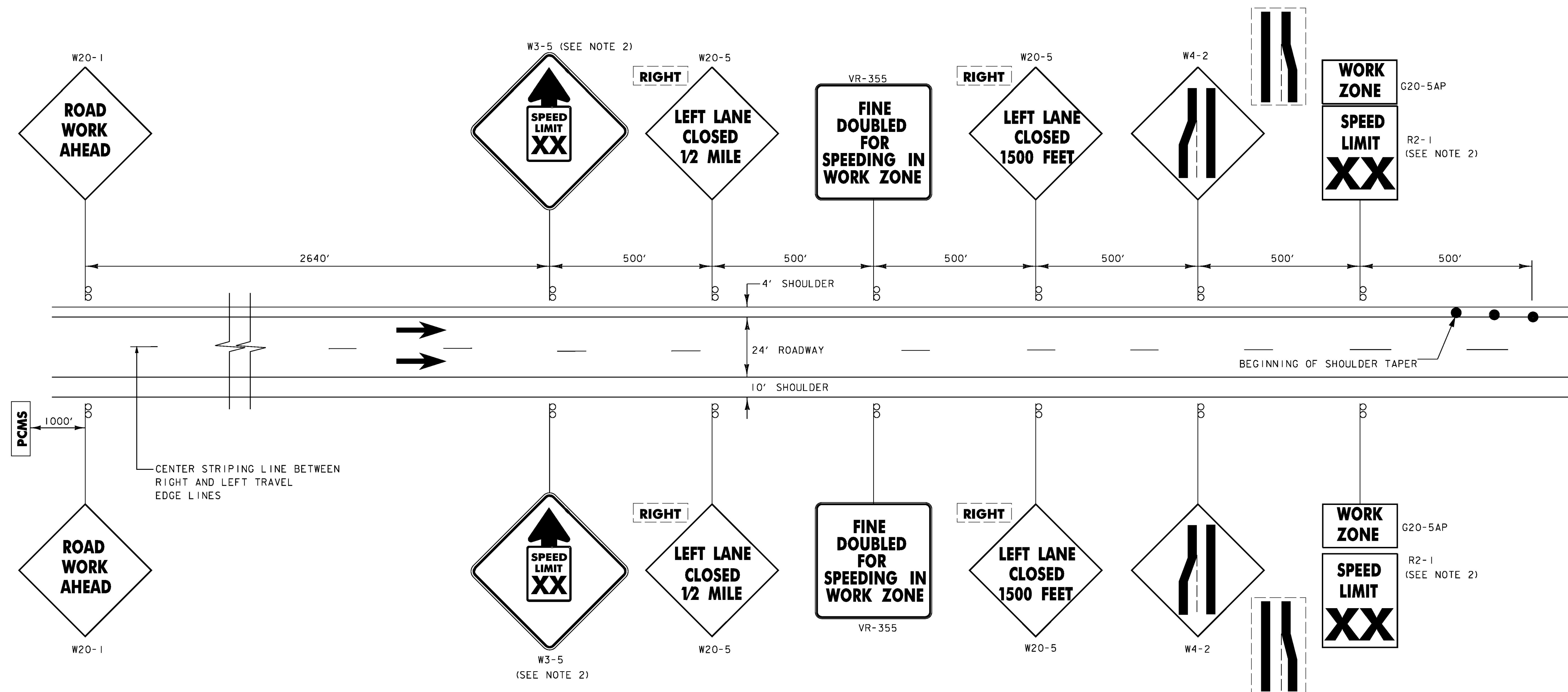


TRAFFIC CONTROL NOTES - I-91 & I-89:

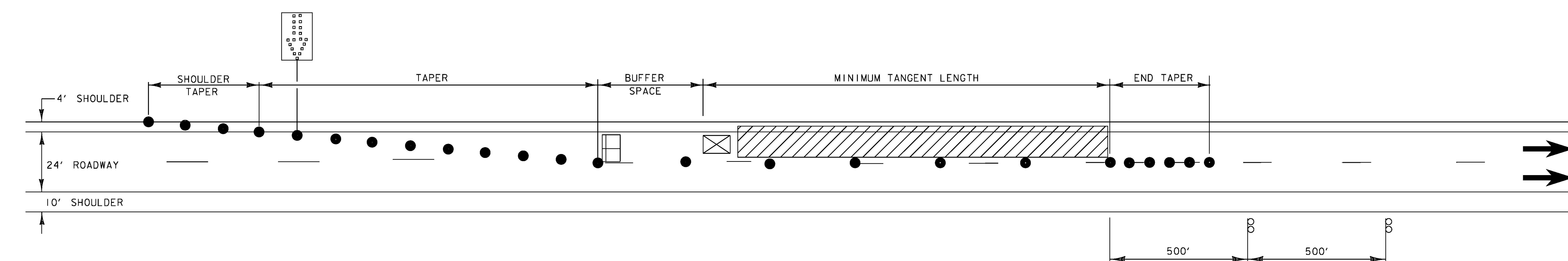
1. THE TRAFFIC CONTROL PLAN SHOWN IS A SCHEMATIC ONLY AND SHOULD BE USED AS A REFERENCE. THE CONTRACTOR SHALL SUBMIT A SITE SPECIFIC TRAFFIC CONTROL PLAN FOR BRIDGES 41N, 41S, 41C, 42N, 42S, 44N, AND 44S TO VTRANS FOR APPROVAL. PAYMENT FOR PREPARING AND SUBMITTING THE TRAFFIC CONTROL PLAN, AND MAKING NECESSARY REVISIONS TO THE PLAN, WILL BE INCLUDED IN THE UNIT PRICE BID FOR CONTRACT ITEM 641.10 - TRAFFIC CONTROL. THE CONTRACTOR SHALL ALLOW TWO WEEKS FOR APPROVAL OF THE TRAFFIC CONTROL PLAN. NO WORK SHALL COMMENCE UNTIL THE CONTRACTOR HAS AN APPROVED TRAFFIC CONTROL PLAN.
2. THE SPEED LIMIT WILL BE REDUCED TO 10 MPH LESS THAN THE POSTED SPEED LIMIT IN THE WORK ZONE FOR THIS PROJECT UNLESS OTHERWISE SHOWN. ANY EXISTING SPEED LIMIT SIGNS WITHIN THE SPEED REDUCTION AREA SHALL BE COMPLETELY COVERED.
3. CONSTRUCTION SIGNS SHALL BE INSTALLED SO AS NOT TO OBSTRUCT EXISTING SIGNS.
4. TRAFFIC CONTROL DEVICES NOT DETAILED IN THE VERMONT AGENCY OF TRANSPORTATION (VAOT) "STANDARD DRAWINGS" OR THE PROJECT PLANS SHALL BE IN ACCORDANCE WITH THE "MANUAL ON UNIFORM TRAFFIC CONTROL DEVICES" (MUTCD) AND THE "STANDARD HIGHWAY SIGNS AND MARKINGS" BOOK (SHSM) PUBLISHED BY THE FEDERAL HIGHWAY ADMINISTRATION.
5. SOLID SUBSTRATE CONSTRUCTION SIGNS SHALL HAVE RETROREFLECTIVE SHEETING EQUAL TO OR EXCEEDING THE "AMERICAN ASSOCIATION OF STATE HIGHWAY AND TRANSPORTATION OFFICIALS" (AASHTO) M 268 "AMERICAN SOCIETY FOR TESTING AND MATERIALS" (ASTM) D 4956J TYPE VIII OR IX UNLESS OTHERWISE NOTED.
6. ROLL UP SIGNS SHALL HAVE RETROREFLECTIVE SHEETING EQUAL TO OR EXCEEDING THE "AMERICAN ASSOCIATION OF STATE HIGHWAY AND TRANSPORTATION OFFICIALS" (AASHTO) M 268 "AMERICAN SOCIETY FOR TESTING AND MATERIALS" (ASTM) D 4956J . TYPE VI UNLESS OTHERWISE NOTED.
7. CONSTRUCTION SIGNS SHALL BE ERECTED BEFORE THE START OF ANY WORK AND SHALL BE COVERED UNTIL WORK COMMENCES, DURING PERIODS OF INACTIVITY OR UPON COMPLETION OF THE WORK. EACH SIGN SHALL BE ERECTED IN A NEAT AND WORKMANLIKE MANNER.
8. CONSTRUCTION SIGN COVERS SHALL CONSIST OF A PANEL, PAINTED FLAT BLACK, THE SAME SIZE AS THE SIGN IT COVERS. THE PANEL SHALL BE MADE OF WOOD, PLYWOOD, HARDBOARD OR ANY MATERIAL SATISFACTORY TO THE ENGINEER. NO MATERIAL WILL BE APPROVED THAT WILL DETERIORATE BY EXPOSURE TO THE WEATHER DURING THE PROJECT. MOUNTING OF THE PANEL SHALL BE DONE IN SUCH A WAY AS NOT TO DAMAGE THE SIGN FACE MATERIAL.
9. SIGNS SHALL BE MAINTAINED IN A CLEAN AND LEGIBLE CONDITION SATISFACTORY TO THE ENGINEER. THEY SHALL BE KEPT PLUMB AND LEVEL, AND ALWAYS PRESENT A NEAT APPEARANCE. DAMAGED, DEFACTED OR DIRTY SIGNS SHALL BE REPAIRED, CLEANED OR REPLACED AS ORDERED BY THE ENGINEER.
10. NO CROSS-BRACING OR BACK-BRACING TO KEEP POSTS PLUMB WILL BE ALLOWED. CONCRETE FOUNDATIONS, COLLARS OR SOIL BEARING PLATES ARE NOT PERMITTED. CONSTRUCTION SIGNS SHALL BE PLACED ON TWO POSTS.
11. CONSTRUCTION SIGNS INSTALLED ON POSTS SHALL BE SET SECURELY IN THE GROUND. THE BOTTOM OF A SIGN SHALL BE AT LEAST FIVE FEET ABOVE THE EDGE OF PAVEMENT AND THE NEAREST EDGE OF A SIGN SHALL BE AT LEAST SIX FEET OUTSIDE THE SHOULDER POINT, FOUR FEET OUTSIDE THE GUARDRAIL, OR TWO FEET OUTSIDE THE CURBING OR SIDEWALK. THE INSTALLATION OF SIGNS SHALL BE SUBJECT TO APPROVAL OF THE ENGINEER. IN URBAN AREAS, THE BOTTOM OF THE SIGN SHALL BE AT LEAST SEVEN FEET ABOVE THE SIDEWALK OR EDGE OF PAVEMENT, WHICHEVER IS HIGHER.
12. PORTABLE SIGNS SHALL BE PLACED ON THE EDGE OF ROADWAY AND A MINIMUM OF ONE FOOT ABOVE THE TRAVELED WAY. ALL VEGETATION THAT INTERFERES WITH VISIBILITY OF THE SIGNS SHALL BE REMOVED. WHEN PLACED BEHIND THE GUARDRAIL, THE BOTTOM OF THE SIGN FACE SHALL BE ABOVE THE TOP OF THE GUARDRAIL.
13. SIGNS SHALL BE REMOVED UPON COMPLETION OF THE WORK AT THE DISCRETION OF THE ENGINEER.
14. WHERE CONSTRUCTION SIGN INSTALLATIONS ARE NOT PROTECTED BY GUARDRAIL OR OTHER APPROVED TRAFFIC BARRIERS, ALL SIGN STANDS AND POST INSTALLATIONS SHALL MEET "NATIONAL COOPERATIVE HIGHWAY RESEARCH PROGRAM" (NCHRP) REPORT 350 OR THE AASHTO "MANUAL FOR ASSESSING SAFETY HARDWARE" (MASH). THE APPROPRIATE RESOURCE SHALL BE DETERMINED AS DESCRIBED IN THE MASH PUBLICATION. NO SIGN POSTS SHALL EXTEND OVER THE TOP OF THE SIGN INSTALLED ON SAID POSTS. WHEN ANCHORS ARE INSTALLED, STUBS SHALL NOT BE GREATER THAN FOUR INCHES ABOVE EXISTING GROUND.

NOTES CONTINUED ON TRAFFIC CONTROL SHEET (2).



CONSTRUCTION APPROACH SIGNING ON I-91 AND I-89, LEFT LANE CLOSED

NOT TO SCALE



TRAFFIC CONTROL ON I-91 AND I-89, LEFT LANE CLOSED

NOT TO SCALE

LEGEND

- FLOW OF TRAFFIC
- WORK AREA
- REFLECTORIZED PLASTIC DRUM
- TYPE III BARRICADE
- TRUCK/TRAILER MOUNTED ATTENUATOR (ATTENUATOR OPTIONAL)
- FLASHING ARROW PANEL
- PORTABLE CHANGEABLE MESSAGE SIGN
- TEMPORARY CONCRETE BARRIER

POSTED SPEED LIMIT	TAPER LENGTHS (FT)		TANGENT W=12 FT (L/2)	MINIMUM BUFFER SPACE LENGTH (FT)	MAXIMUM CHANNELIZING DEVICE SPACING (FT)	
	SHOULDER W=10 FT	MERGING 12 FT LANE			TAPER	TANGENT
40	90	320	160	305	40	80
45	150	540	270	360	45	90
50	170	600	300	425	50	100
55	185	660	330	495	55	110
60	200	720	360	570	60	120
65	215	780	390	645	65	130

TAPER RATES ARE DETERMINED USING THE FOLLOWING EQUATIONS:
 $L = WS$ FOR POSTED SPEEDS OF 45 MPH OR GREATER
 $L = WS^2/60$ FOR POSTED SPEEDS OF 40 MPH OR LESS
 L = MINIMUM LENGTH OF TAPER
 W = WIDTH OF OFFSET IN FEET
 S = POSTED SPEED IN MPH



TRAFFIC CONTROL SHEET (1)

PROJECT NAME: WINDSOR-HARTFORD	PLOT DATE: 25-JUNE-2015
PROJECT NUMBER: IM BPNT (I3)	DRAWN BY: S.BROWN
FILE NAME: z525457tc_1.dgn	CHECKED BY: J.KHERA
PROJECT LEADER: G.K.DONINGTON	SHEET 9 OF 36
DESIGNED BY: S.BROWN	
tc1.dgn	