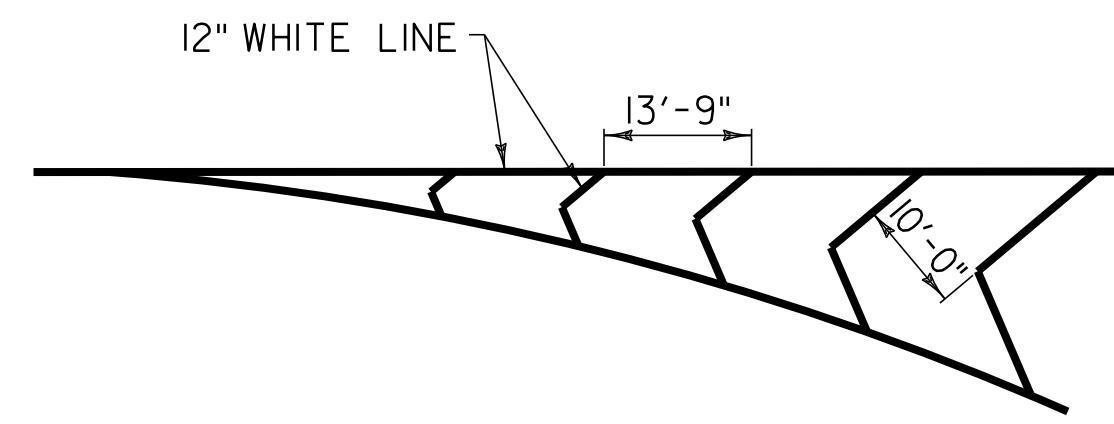


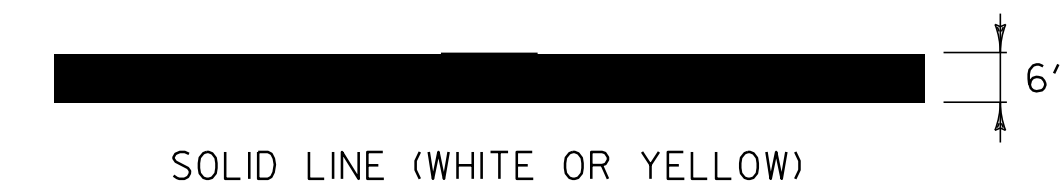
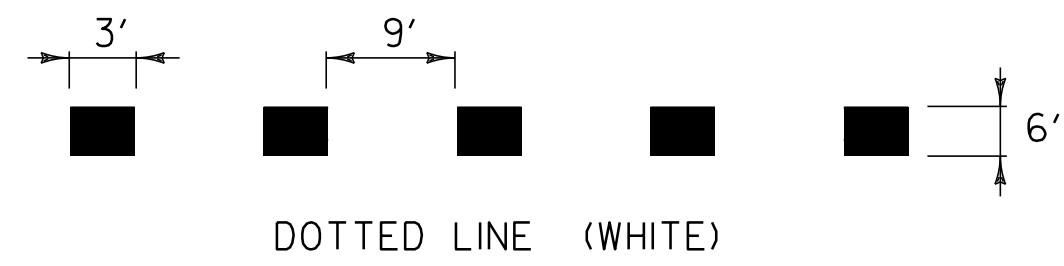
**TYPICAL MAINLINE MARKING PLAN**  
NOT TO SCALE

**LEGEND**

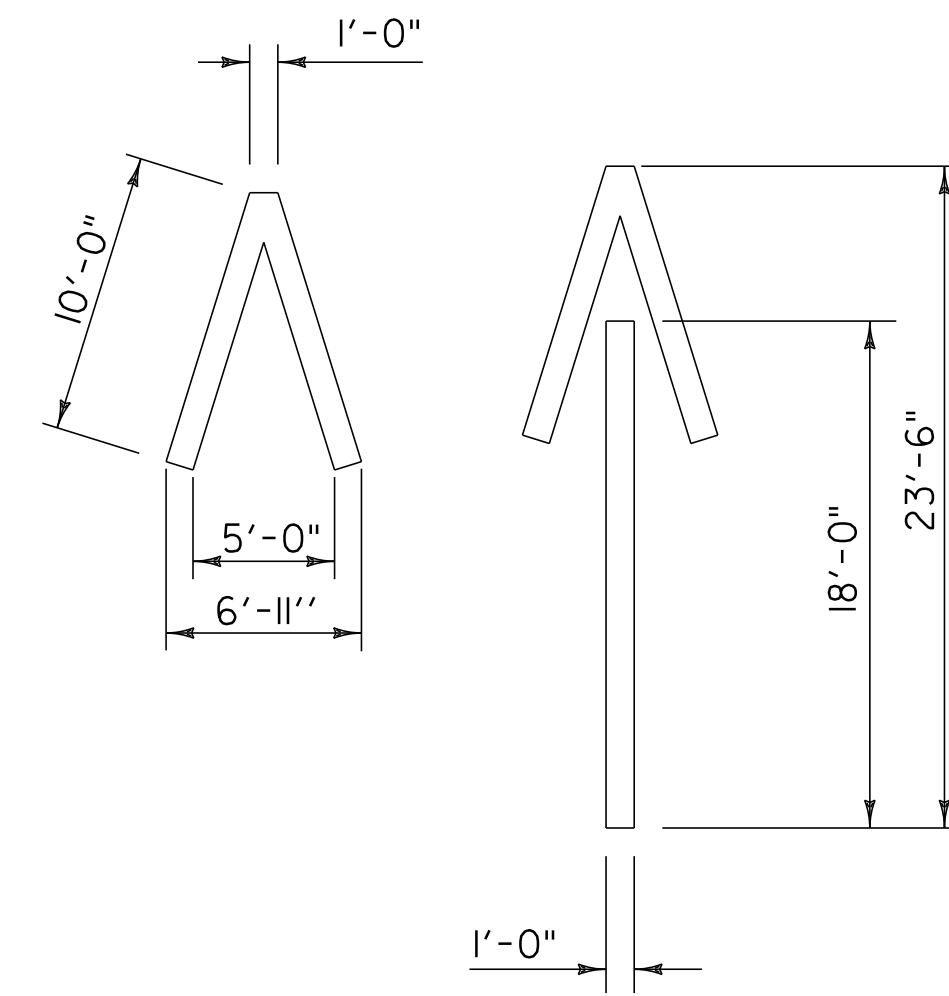
← DIRECTION OF TRAFFIC FLOW



**GORE MARKING DETAIL**  
NOT TO SCALE

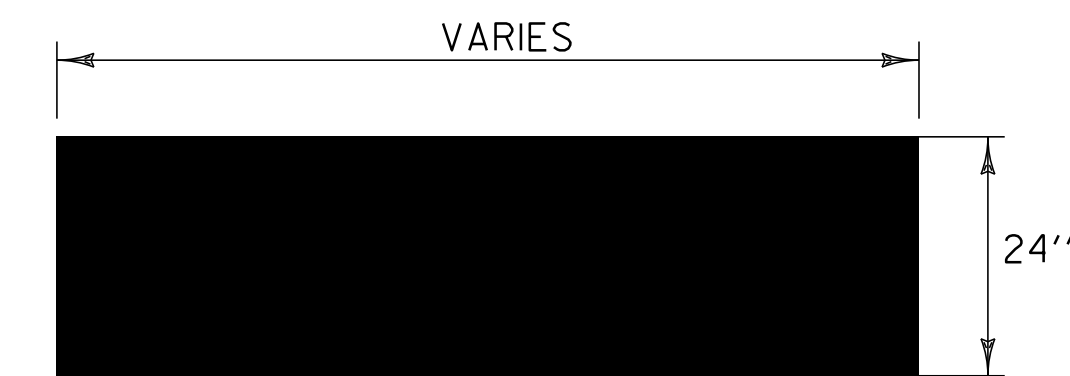


**PAVEMENT MARKING LINE DETAILS**  
NOT TO SCALE

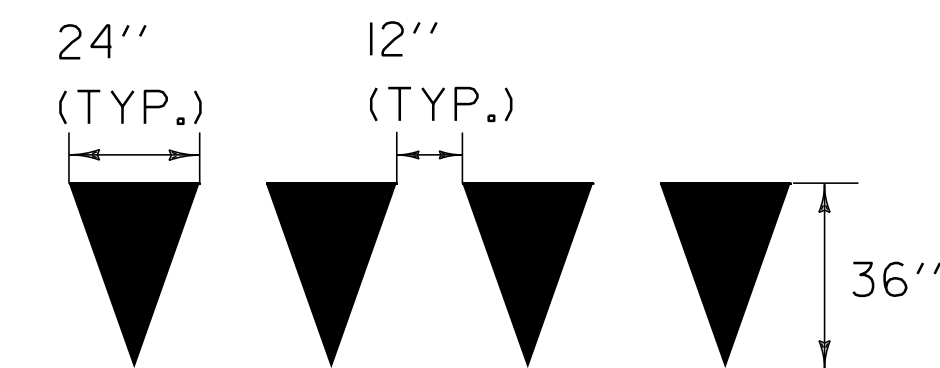


**WRONG WAY ARROW**

NOT TO SCALE  
MARKINGS TO BE PLACED AT EXISTING WRONG WAY SIGN



**STOP BAR DETAIL**  
NOT TO SCALE



**YIELD LINE DETAILS**  
NOT TO SCALE

TO BE INSTALLED ONLY AT THE DIRECTION OF THE ENGINEER.  
TO BE PAID AS ONE LETTER OR SYMBOL PER TRIANGLE.

<b>PAVEMENT MARKING SHEET 19</b>	PROJECT NAME:	BRATTLEBORO - ROCKINGHAM
	PROJECT NUMBER:	IM SURF (37)
	FILE NAME: pl2a398.dgn	PLOT DATE: 27-MAR-2014 13:16
	PROJECT LEADER: M. FOWLER	DRAWN BY: LOCKE
	DESIGNED BY: LOCKE	CHECKED BY: HARRINGTON
	IPARM FILE NAME: pl2a398pmdl9.1	SHEET 30 OF 36