

PARKING AREA SOUTHBOUND

MM 23.798

TEMPORARY 6 INCH WHITE LINE, PAINT
 PARKING AREA
 SOUTHBOUND OFF RAMP SOLID LT EDGE LINE
 INTERSTATE 91 DOTTED LT LANE LINE
 SOUTHBOUND ON RAMP SOLID LT EDGE LINE
 INTERSTATE 91 DOTTED LT LANE LINE

TEMPORARY 6 INCH YELLOW LINE, PAINT
 PARKING AREA
 SOUTHBOUND OFF RAMP SOLID LT EDGE LINE
 SOUTHBOUND ON RAMP SOLID LT EDGE LINE

TEMPORARY 12 INCH WHITE LINE, PAINT
 PARKING AREA
 SOUTHBOUND OFF RAMP SOLID LT GORE AREA
 INTERSTATE 91 SOLID LT GORE AREA
 SOUTHBOUND ON RAMP SOLID LT GORE AREA
 INTERSTATE 91 SOLID LT GORE AREA

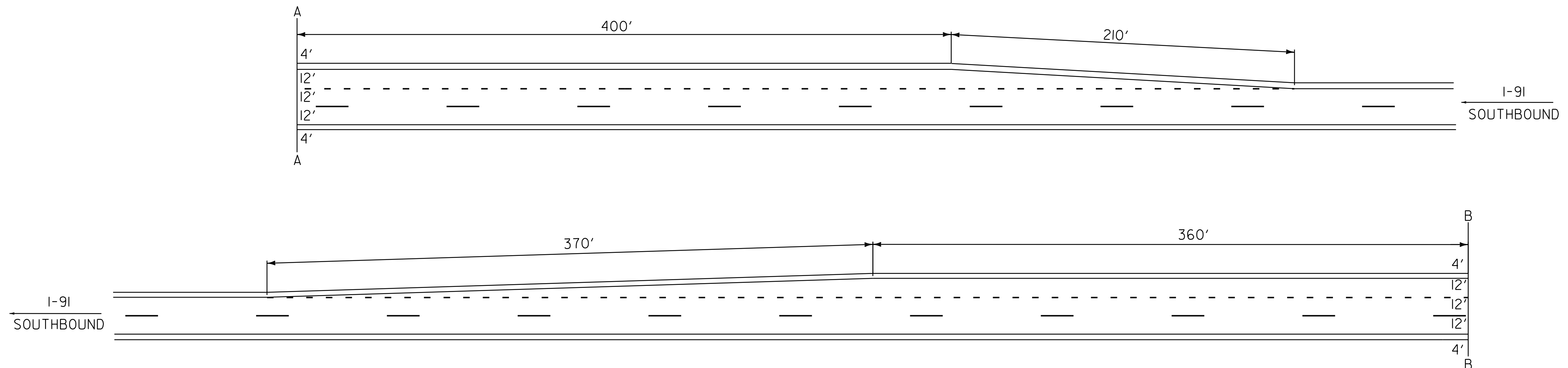
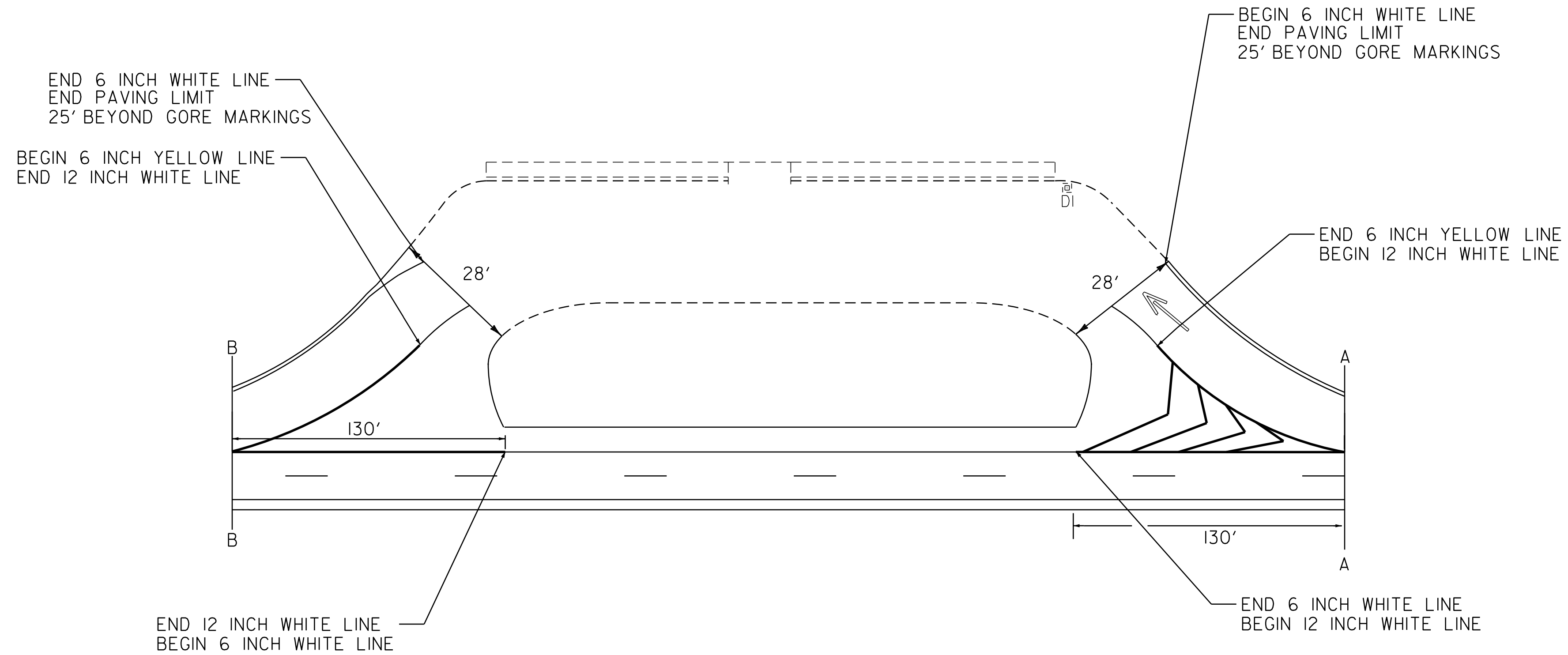
TEMPORARY LETTER OR SYMBOL, PAINT
 PARKING AREA
 SOUTHBOUND OFF RAMP →

DURABLE 6 INCH WHITE LINE
 PARKING AREA
 SOUTHBOUND OFF RAMP SOLID LT EDGE LINE
 INTERSTATE 91 DOTTED LT LANE LINE
 SOUTHBOUND ON RAMP SOLID LT EDGE LINE
 INTERSTATE 91 DOTTED LT LANE LINE

DURABLE 6 INCH YELLOW LINE
 PARKING AREA
 SOUTHBOUND OFF RAMP SOLID LT EDGE LINE
 SOUTHBOUND ON RAMP SOLID LT EDGE LINE

DURABLE 12 INCH WHITE LINE
 PARKING AREA
 SOUTHBOUND OFF RAMP SOLID LT GORE AREA
 INTERSTATE 91 SOLID LT GORE AREA
 SOUTHBOUND ON RAMP SOLID LT GORE AREA
 INTERSTATE 91 SOLID LT GORE AREA

DURABLE LETTER OR SYMBOL
 PARKING AREA
 SOUTHBOUND OFF RAMP →



NOTES:

I. SEE QUANTITY SHEETS FOR DURABLE PAVEMENT MARKING OPTIONS.

**PAVEMENT
MARKING
DETAIL SHEET 17
PARKING AREA SB**

PROJECT NAME:	BRATTLEBORO - ROCKINGHAM
PROJECT NUMBER:	IM SURF (37)
FILE NAME:	pl2a398.dgn
PROJECT LEADER:	M. FOWLER
DESIGNED BY:	LOCKE
IPARM FILE NAME:	pl2a398pmd17.i
PLOT DATE:	27-MAR-2014 13:16
DRAWN BY:	LOCKE
CHECKED BY:	HARRINGTON
SHEET	28 OF 36