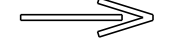


EXIT 6 - RAMP C & G SOUTHBOUND OFF RAMP

TEMPORARY 6 INCH YELLOW LINE, PAINT
EXIT 6
SOUTHBOUND OFF RAMP SOLID LT EDGE LINE

TEMPORARY 6 INCH WHITE LINE, PAINT
EXIT 6
SOUTHBOUND OFF RAMP SOLID RT EDGE LINE
INTERSTATE 91 DOTTED RT LANE LINE

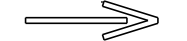
TEMPORARY LETTER OR SYMBOL, PAINT
EXIT 6
SOUTHBOUND OFF RAMP "STOP"
SOUTHBOUND OFF RAMP "AHEAD"
SOUTHBOUND OFF RAMP 
SOUTHBOUND OFF RAMP "STOP"

TEMPORARY 12 INCH WHITE LINE, PAINT
EXIT 6
SOUTHBOUND OFF RAMP SOLID LT GORE AREA
INTERSTATE 91 SOLID RT GORE AREA

TEMPORARY 24 INCH STOP BAR, PAINT
EXIT 6
SOUTHBOUND OFF RAMP

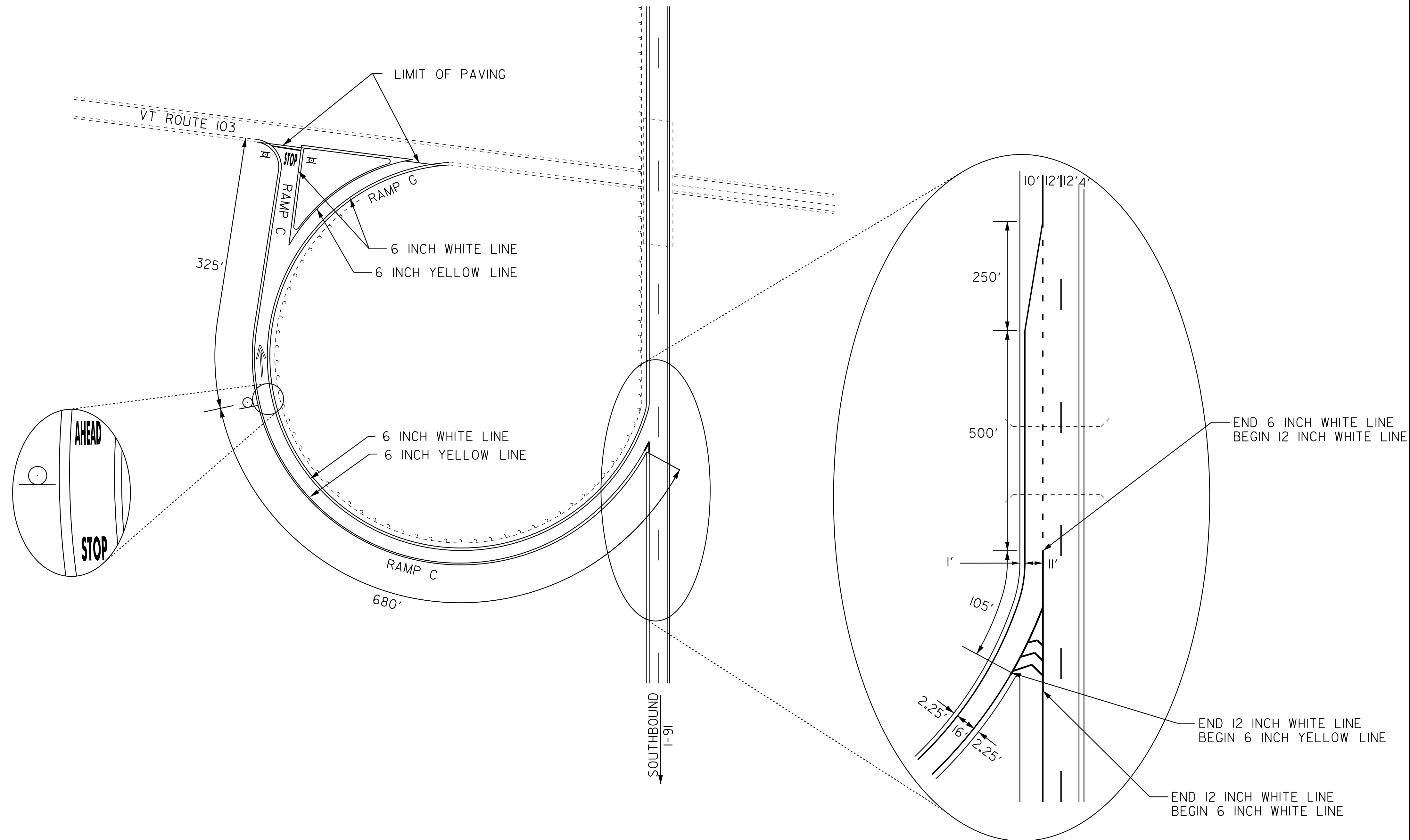
DURABLE 6 INCH YELLOW LINE
EXIT 6
SOUTHBOUND OFF RAMP SOLID LT EDGE LINE

DURABLE 6 INCH WHITE LINE
EXIT 6
SOUTHBOUND OFF RAMP SOLID RT EDGE LINE
INTERSTATE 91 DOTTED RT LANE LINE

DURABLE LETTER OR SYMBOL
EXIT 6
SOUTHBOUND OFF RAMP "STOP"
SOUTHBOUND OFF RAMP "AHEAD"
SOUTHBOUND OFF RAMP 
SOUTHBOUND OFF RAMP "STOP"

DURABLE 12 INCH WHITE LINE
EXIT 6
SOUTHBOUND OFF RAMP SOLID LT GORE AREA
INTERSTATE 91 SOLID RT GORE AREA

DURABLE 24 INCH STOP BAR
EXIT 6
SOUTHBOUND OFF RAMP



NOTES:

1. SEE QUANTITY SHEETS FOR DURABLE PAVEMENT MARKING OPTIONS.

PAVEMENT MARKING DETAIL SHEET 16 EXIT 6 SB	PROJECT NAME:	BRATTLEBORO - ROCKINGHAM	
	PROJECT NUMBER:	IM SURF (37)	
	FILE NAME:	pl2a398.dgn	
	PROJECT LEADER:	M. FOWLER	
DESIGNED BY:	LOCKE	PLOT DATE:	27-MAR-2014 13:16
IPARM FILE NAME:	pl2a398pmdl6.i	DRAWN BY:	LOCKE
		CHECKED BY:	HARRINGTON
		SHEET	27 OF 36