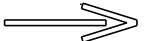


EXIT 5 - RAMP B SOUTHBOUND OFF RAMP

TEMPORARY 6 INCH YELLOW LINE, PAINT
EXIT 5
SOUTHBOUND OFF RAMP SOLID LT EDGE LINE

TEMPORARY 6 INCH WHITE LINE, PAINT
EXIT 5
SOUTHBOUND OFF RAMP SOLID RT EDGE LINE
INTERSTATE 91 DOTTED RT LANE LINE

TEMPORARY 12 INCH WHITE LINE, PAINT
EXIT 5
SOUTHBOUND OFF RAMP SOLID LT GORE AREA
INTERSTATE 91 SOLID RT GORE AREA

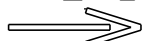
TEMPORARY LETTER OR SYMBOL, PAINT
EXIT 5
SOUTHBOUND OFF RAMP "STOP"
SOUTHBOUND OFF RAMP "AHEAD"
SOUTHBOUND OFF RAMP 
SOUTHBOUND OFF RAMP "STOP"

TEMPORARY 24 INCH STOP BAR, PAINT
EXIT 5
SOUTHBOUND OFF RAMP

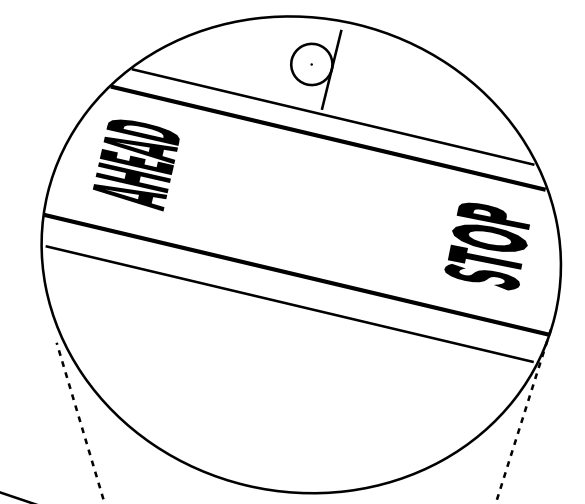
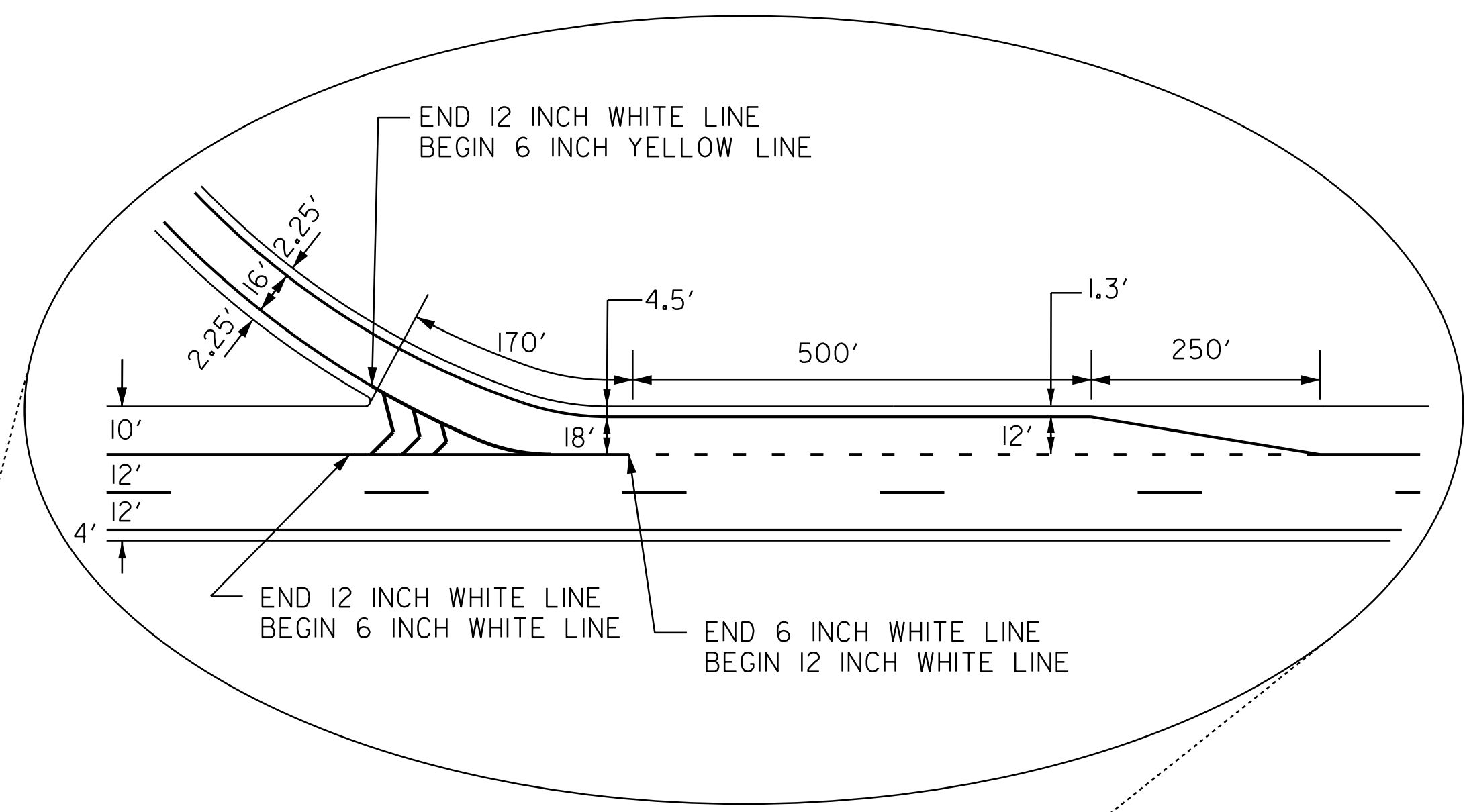
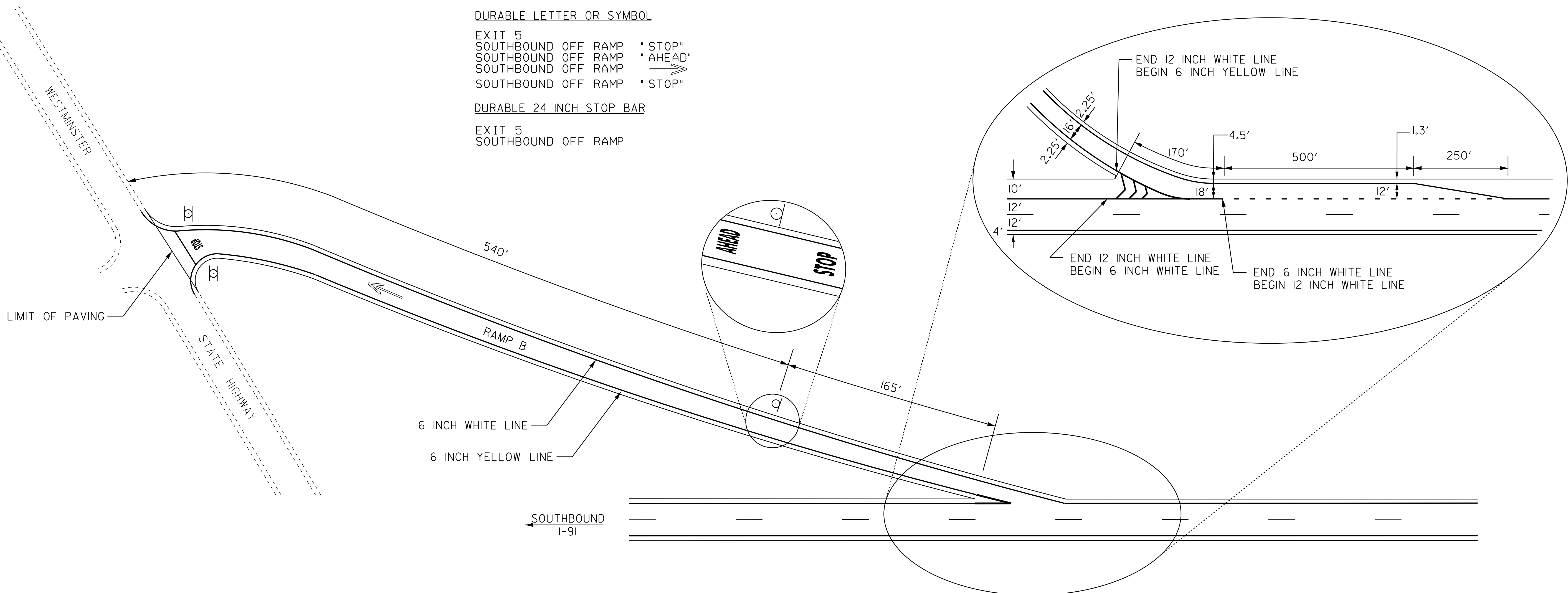
DURABLE 6 INCH YELLOW LINE
EXIT 5
SOUTHBOUND OFF RAMP SOLID LT EDGE LINE

DURABLE 6 INCH WHITE LINE
EXIT 5
SOUTHBOUND OFF RAMP SOLID RT EDGE LINE
INTERSTATE 91 DOTTED RT LANE LINE

DURABLE 12 INCH WHITE LINE
EXIT 5
SOUTHBOUND OFF RAMP SOLID LT GORE AREA
INTERSTATE 91 SOLID RT GORE AREA

DURABLE LETTER OR SYMBOL
EXIT 5
SOUTHBOUND OFF RAMP "STOP"
SOUTHBOUND OFF RAMP "AHEAD"
SOUTHBOUND OFF RAMP 
SOUTHBOUND OFF RAMP "STOP"

DURABLE 24 INCH STOP BAR
EXIT 5
SOUTHBOUND OFF RAMP



NOTES:
1. SEE QUANTITY SHEETS FOR DURABLE PAVEMENT MARKING OPTIONS.

PAVEMENT MARKING DETAIL SHEET 13 EXIT 5 SB	PROJECT NAME: BRATTLEBORO - ROCKINGHAM
	PROJECT NUMBER: IM SURF (37)
	FILE NAME: pl2a398.dgn
	PLOT DATE: 27-MAR-2014 13:16
PROJECT LEADER: M. FOWLER	DRAWN BY: LOCKE
DESIGNED BY: LOCKE	CHECKED BY: HARRINGTON
IPARM FILE NAME: pl2a398pmdl3.i	SHEET 24 OF 36