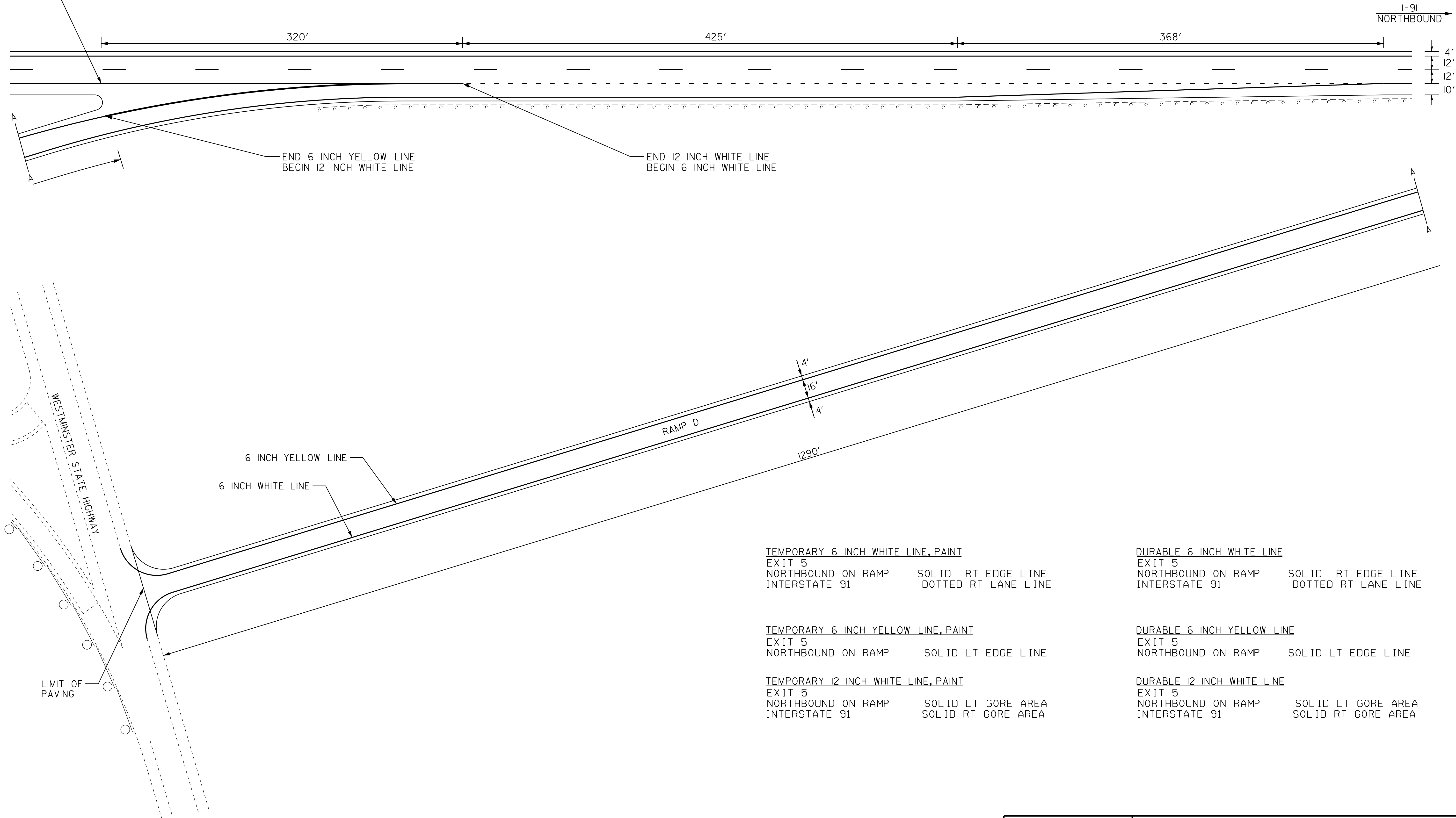


EXIT 5 - RAMP D NORTHBOUND ON RAMP

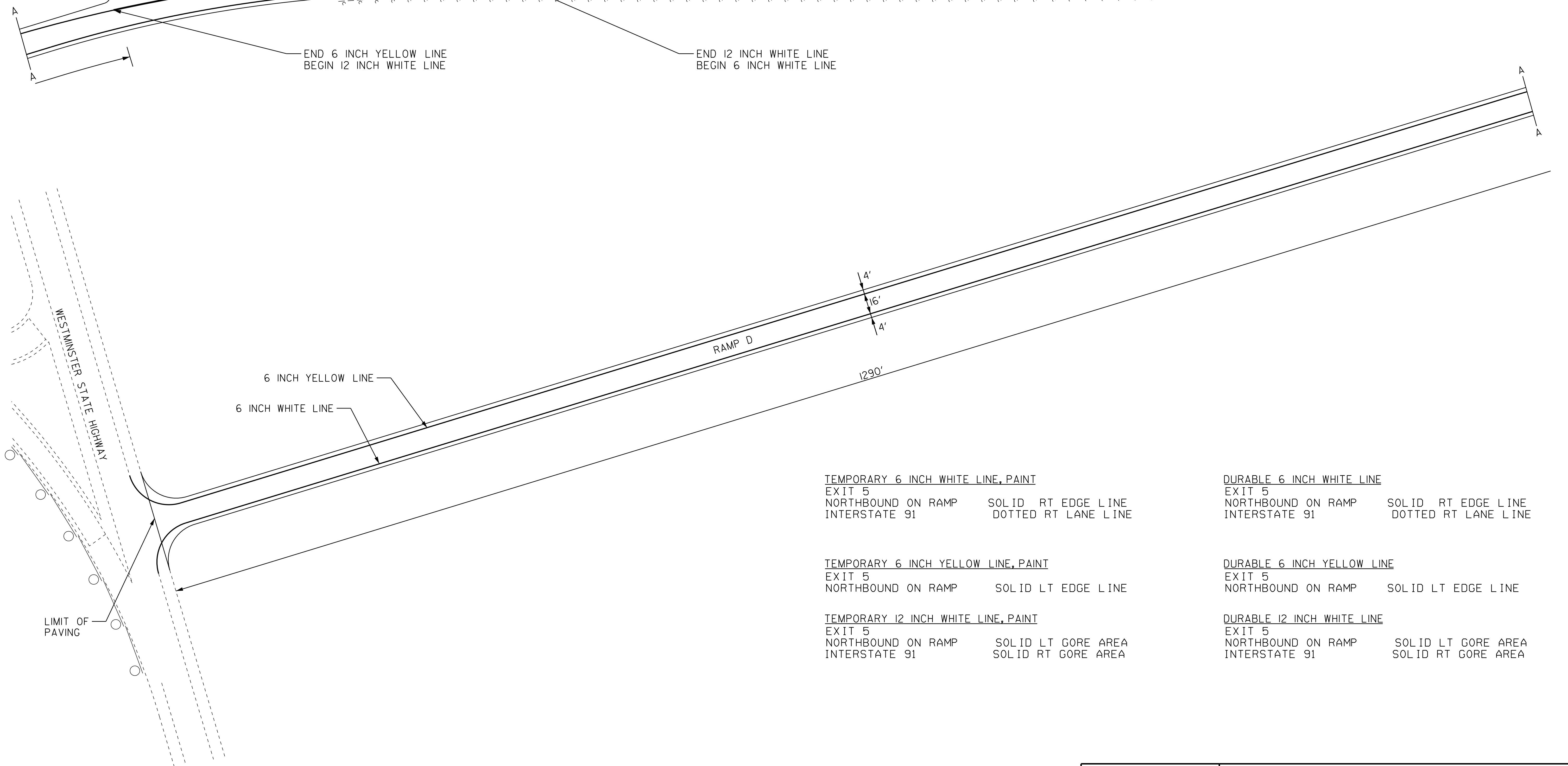
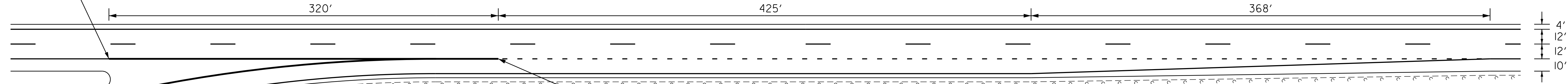


END 6 INCH WHITE LINE
BEGIN 12 INCH WHITE LINE

END 6 INCH YELLOW LINE
BEGIN 12 INCH WHITE LINE

END 12 INCH WHITE LINE
BEGIN 6 INCH WHITE LINE

I-91
NORTHBOUND



TEMPORARY 6 INCH WHITE LINE, PAINT
EXIT 5
NORTHBOUND ON RAMP SOLID RT EDGE LINE
INTERSTATE 91 DOTTED RT LANE LINE

DURABLE 6 INCH WHITE LINE
EXIT 5
NORTHBOUND ON RAMP SOLID RT EDGE LINE
INTERSTATE 91 DOTTED RT LANE LINE

TEMPORARY 6 INCH YELLOW LINE, PAINT
EXIT 5
NORTHBOUND ON RAMP SOLID LT EDGE LINE

DURABLE 6 INCH YELLOW LINE
EXIT 5
NORTHBOUND ON RAMP SOLID LT EDGE LINE

TEMPORARY 12 INCH WHITE LINE, PAINT
EXIT 5
NORTHBOUND ON RAMP SOLID LT GORE AREA
INTERSTATE 91 SOLID RT GORE AREA

DURABLE 12 INCH WHITE LINE
EXIT 5
NORTHBOUND ON RAMP SOLID LT GORE AREA
INTERSTATE 91 SOLID RT GORE AREA

NOTES:
I. SEE QUANTITY SHEETS FOR DURABLE PAVEMENT MARKING OPTIONS.

PAVEMENT MARKING DETAIL SHEET 8 EXIT 5 NB	PROJECT NAME:	BRATTLEBORO - ROCKINGHAM
	PROJECT NUMBER:	IM SURF (37)
	FILE NAME: pl2a398.dgn	PLOT DATE: 27-MAR-2014 13:15
	PROJECT LEADER: M. FOWLER	DRAWN BY: LOCKE
DESIGNED BY: LOCKE	CHECKED BY: HARRINGTON	
IPARM FILE NAME: pl2a398pmd8.i	SHEET 19 OF 36	