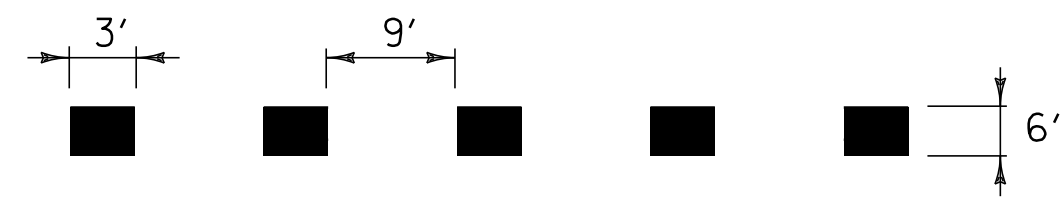


GORE MARKING DETAIL
NOT TO SCALE



DOTTED LINE (WHITE)

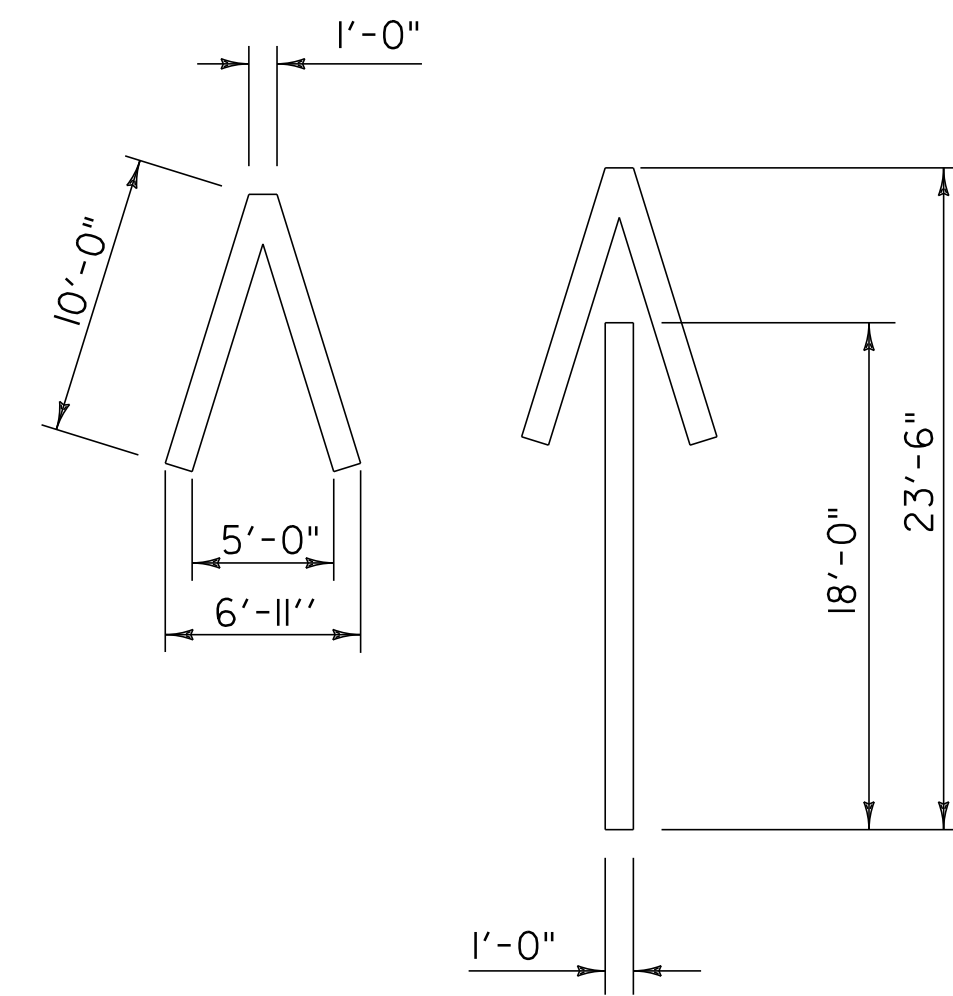


SOLID LINE (WHITE OR YELLOW)

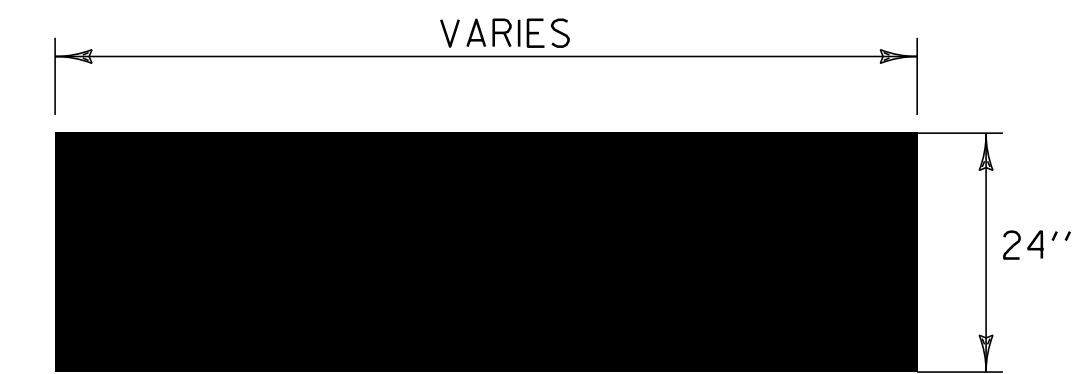


CHANNELIZING LINE (WHITE)

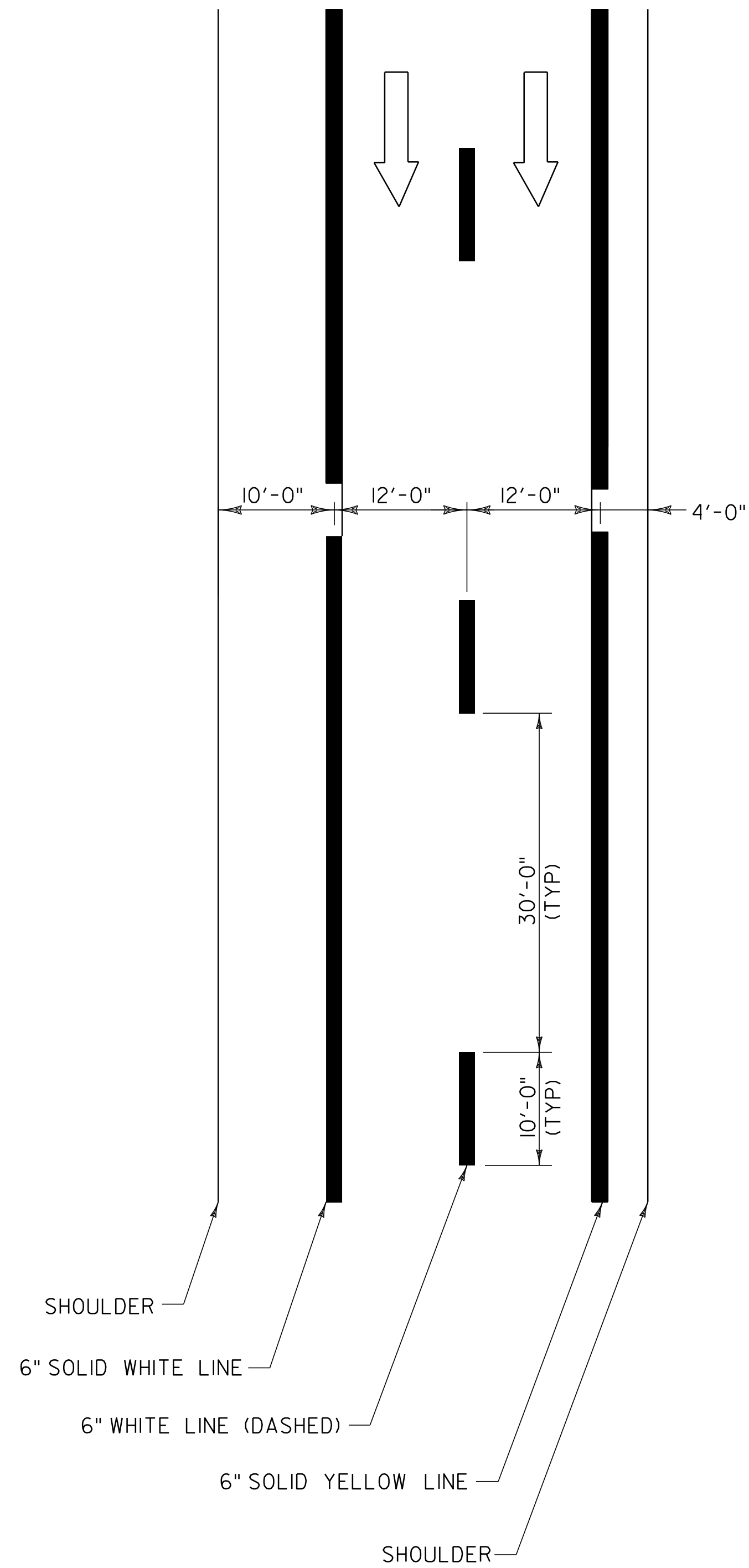
PAVEMENT MARKING LINE DETAILS
NOT TO SCALE



WRONG WAY ARROW
NOT TO SCALE

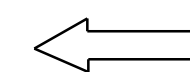


STOP BAR DETAIL



TYPICAL MAINLINE MARKING PLAN
NOT TO SCALE

LEGEND



DIRECTION OF TRAFFIC FLOW

PAVEMENT MARKING DETAIL SHEET

PROJECT NAME: LYNDON - BARTON
PROJECT NUMBER: IM SURF (34)

FILE NAME: I2a286.dgn
PROJECT LEADER: M. FOWLER
DESIGNED BY: L. BULLOCK
IPARM FILE NAME: I2a286pmd8.i

PLOT DATE: 15-APR-2014 14:08
DRAWN BY: L. BULLOCK
CHECKED BY: PAVT MGMT
SHEET 16 OF 21