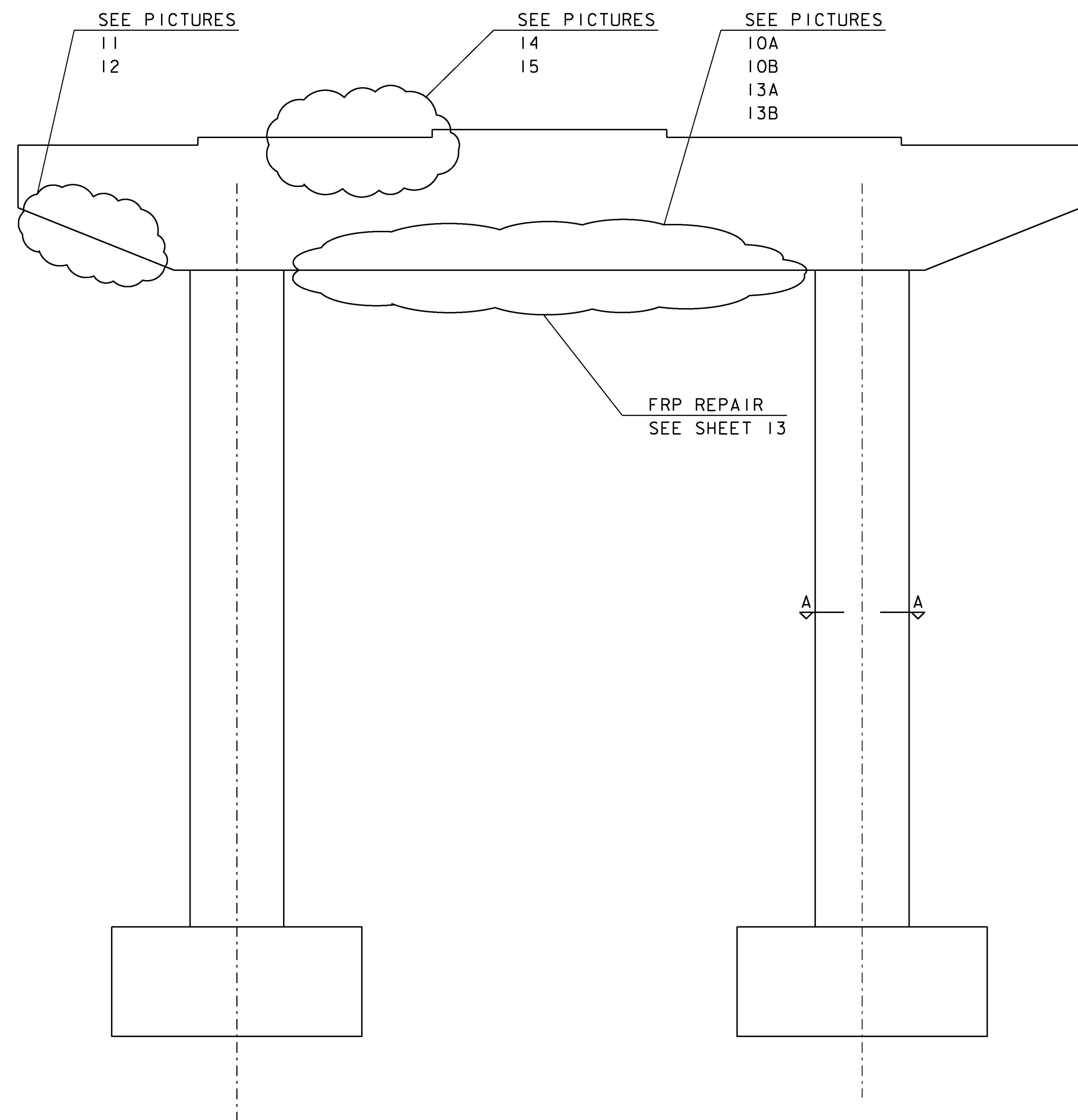
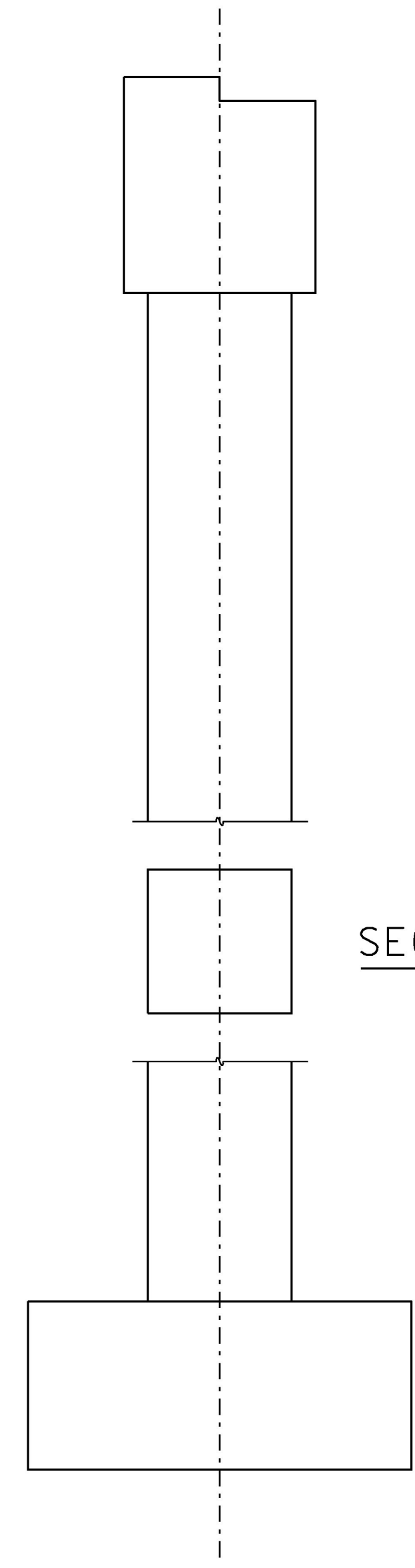


PLAN  
SCALE 3/8" = 1'-0"



ELEVATION  
SCALE 3/8" = 1'-0"



TYPICAL SECTION  
SCALE 3/8" = 1'-0"

SUBSTRUCTURE NOTES

IT IS ANTICIPATED THAT 30% OF THE SUBSTRUCTURE WILL REQUIRE A CLASS I SUBSTRUCTURE REPAIR; WHILE 10% WILL REQUIRE A CLASS II SUBSTRUCTURE REPAIR. THE ENGINEER WILL DETERMINE THE LEVEL OF REPAIR NEEDED.

THE PICTURES REPRESENT THE EXISTING CONDITION OF THE SUBSTRUCTURES BUT DO NOT SHOW ALL THE AFFECTED AREAS.



PICTURE 10A



PICTURE 10B



PICTURE 11



PICTURE 12



PICTURE 13A



PICTURE 13B



PICTURE 14



PICTURE 15

NOTE:  
FOR MORE DETAILED INFORMATION VIEW THE  
REFERENCE PLANS.

PROJECT NAME:	SWANTON	FILE NAME:	sl2a276sub.dgn	PLOT DATE:	01-APR-2013
PROJECT NUMBER:	IM 089-3(70)	PROJECT LEADER:	C. CARLSON	DRAWN BY:	DZENAN K.
		DESIGNED BY:	H. SALLS	CHECKED BY:	H. SALLS
		BRIDGE 98 SOUTH - PIERS NO. 3 & 4		SHEET	12 OF 31