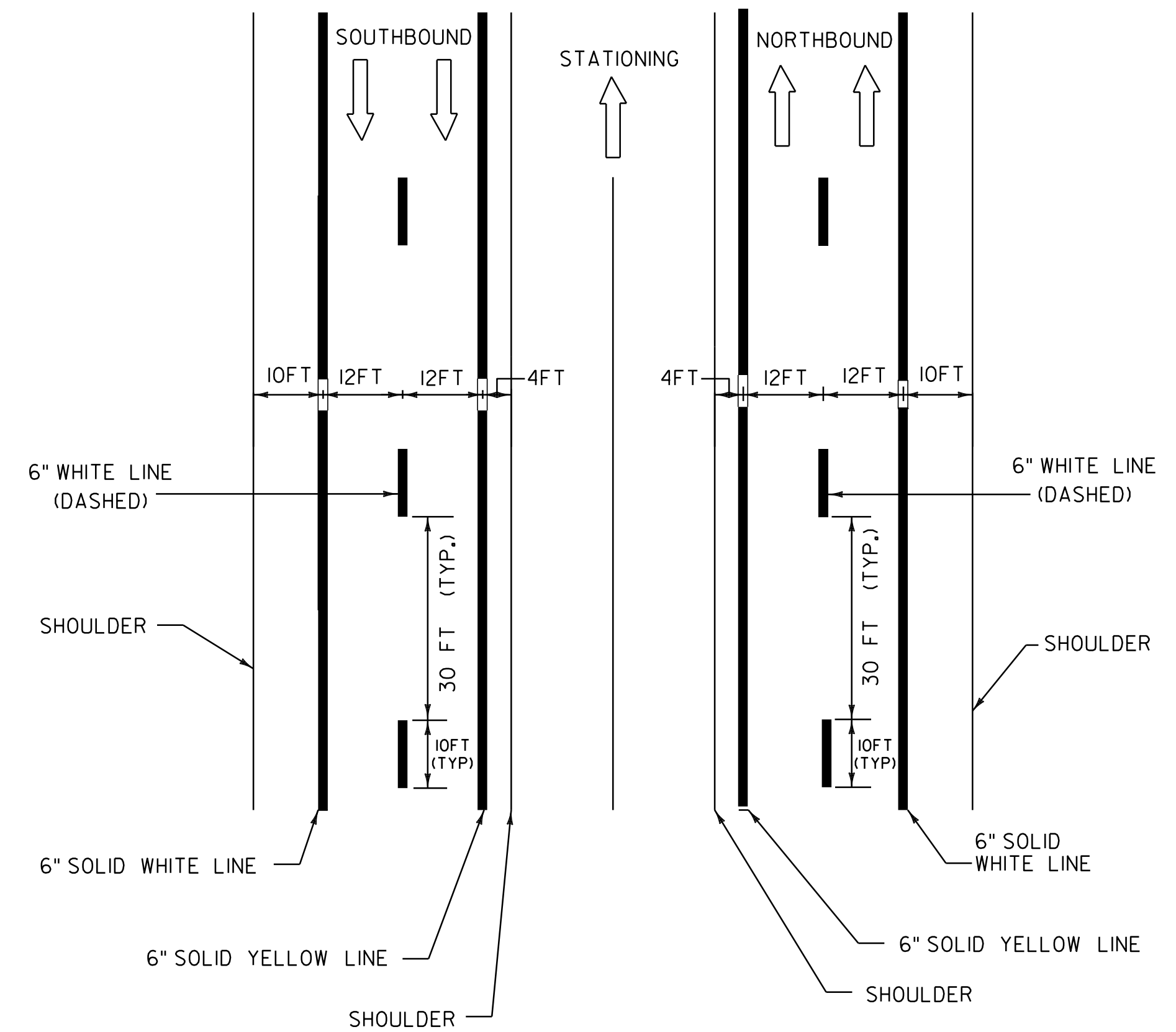
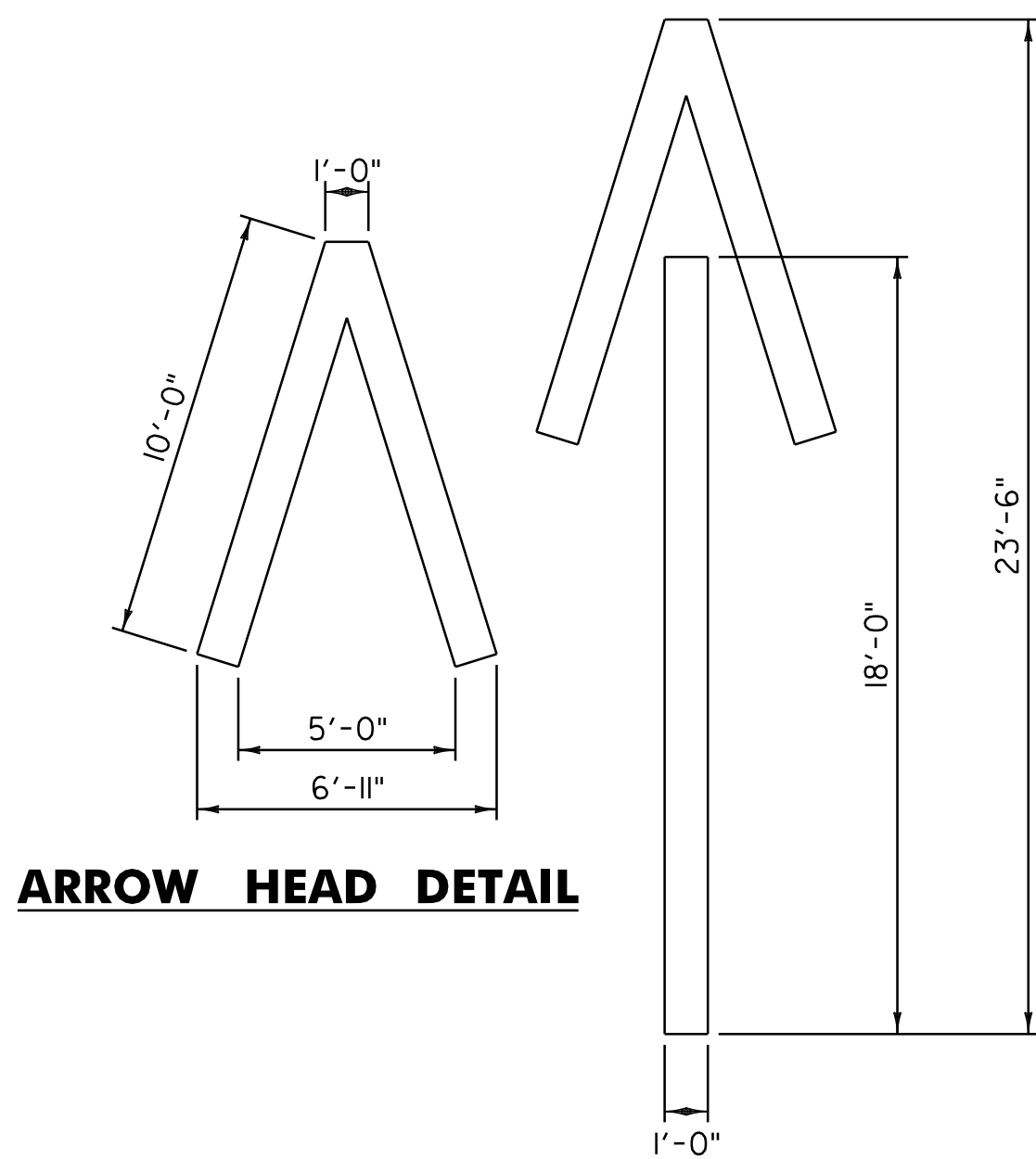
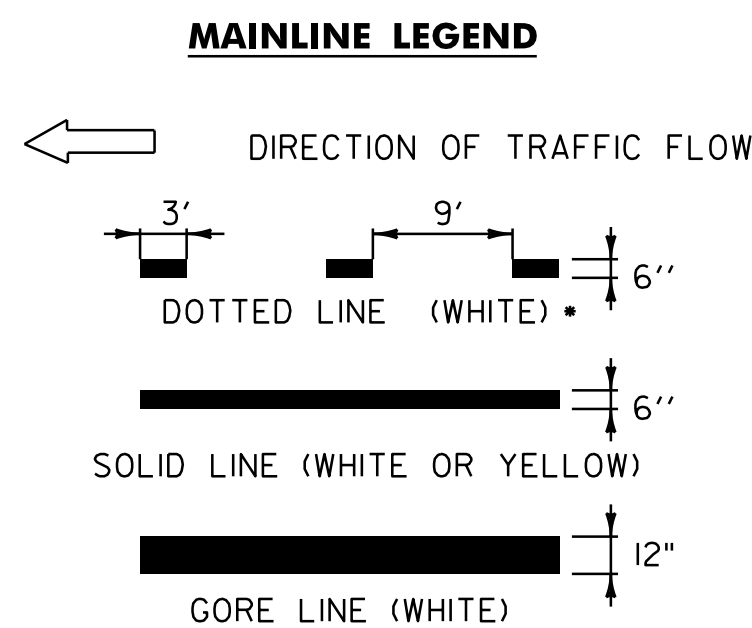


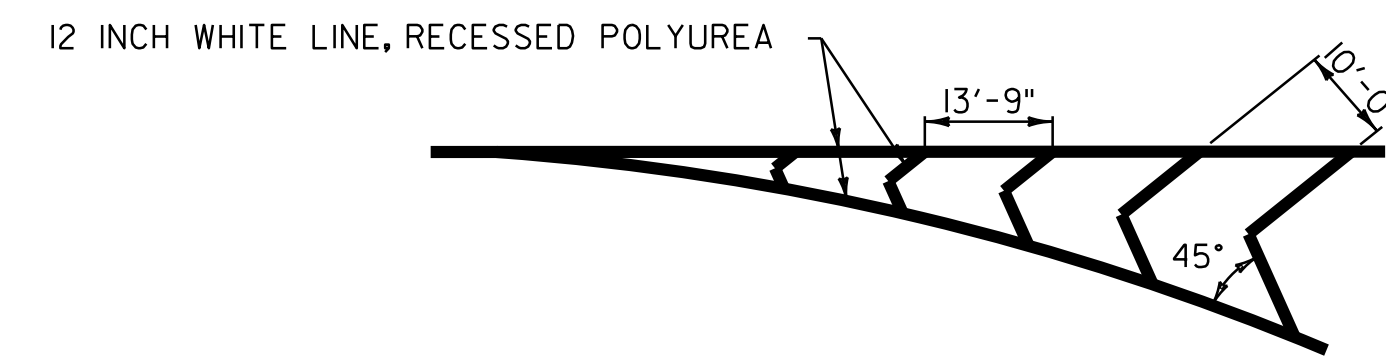
YIELD LINE DETAIL

TO BE INSTALLED ONLY AT THE DIRECTION OF THE RESIDENT ENGINEER TO BE PAID AS ONE LETTER OR SYMBOL, PER TRIANGLE



PAVEMENT MARKING LINE DETAILS

SEE MAINLINE AND INTERCHANGE LAYOUT SHEETS FOR LOCATIONS AND MATERIALS



GORE MARKING DETAIL

SEE LAYOUT SHEETS FOR LOCATIONS

NOT TO SCALE

PAVEMENT MARKING LAYOUT & DETAIL SHEET

PROJECT NAME: WATERBURY-RICHMOND
PROJECT NUMBER: IM SURF(33)

FILE NAME: ...I2A178...I2A178.DGN
PROJECT LEADER: FOWLER
DESIGNED BY: PVT. MGT.
IPARM FILE NAME: I2A178_08.i

PLOT DATE: 10-APR-2014 14:16
DRAWN BY: PVT. MGT.
CHECKED BY: PVT. MGT.
SHEET 8 OF 19