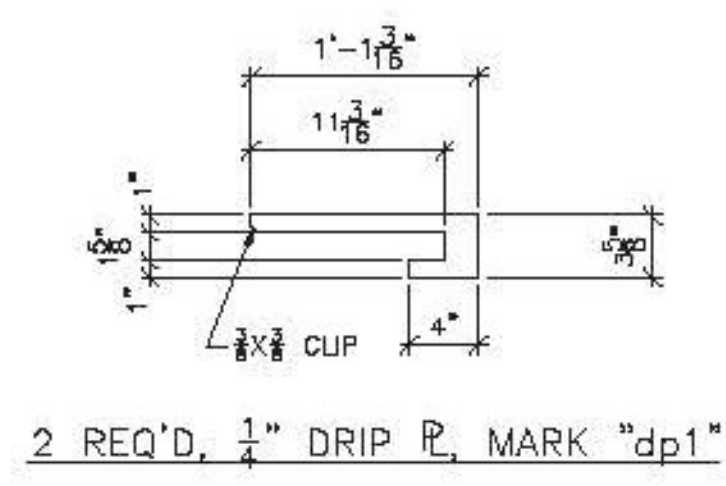
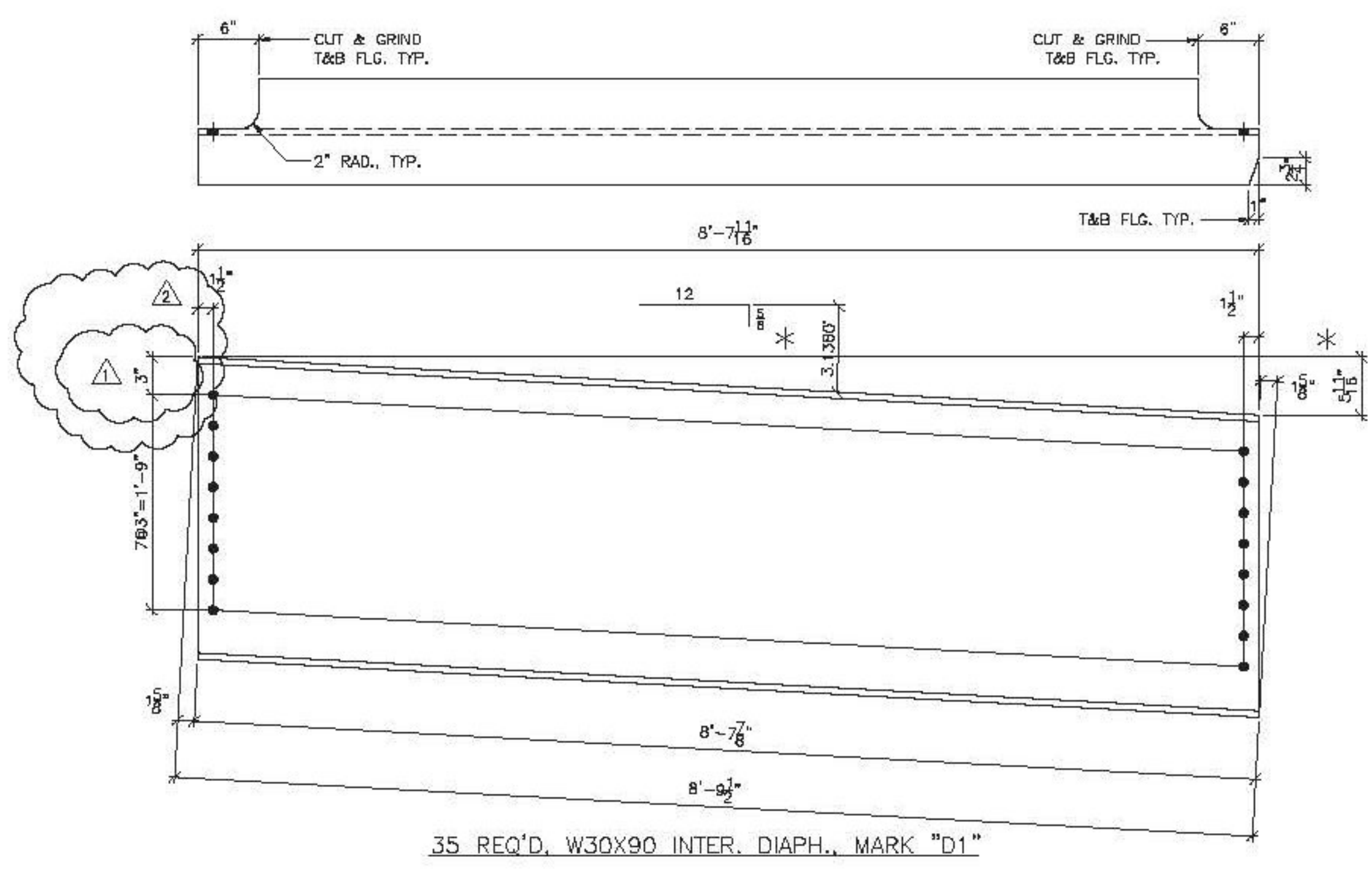
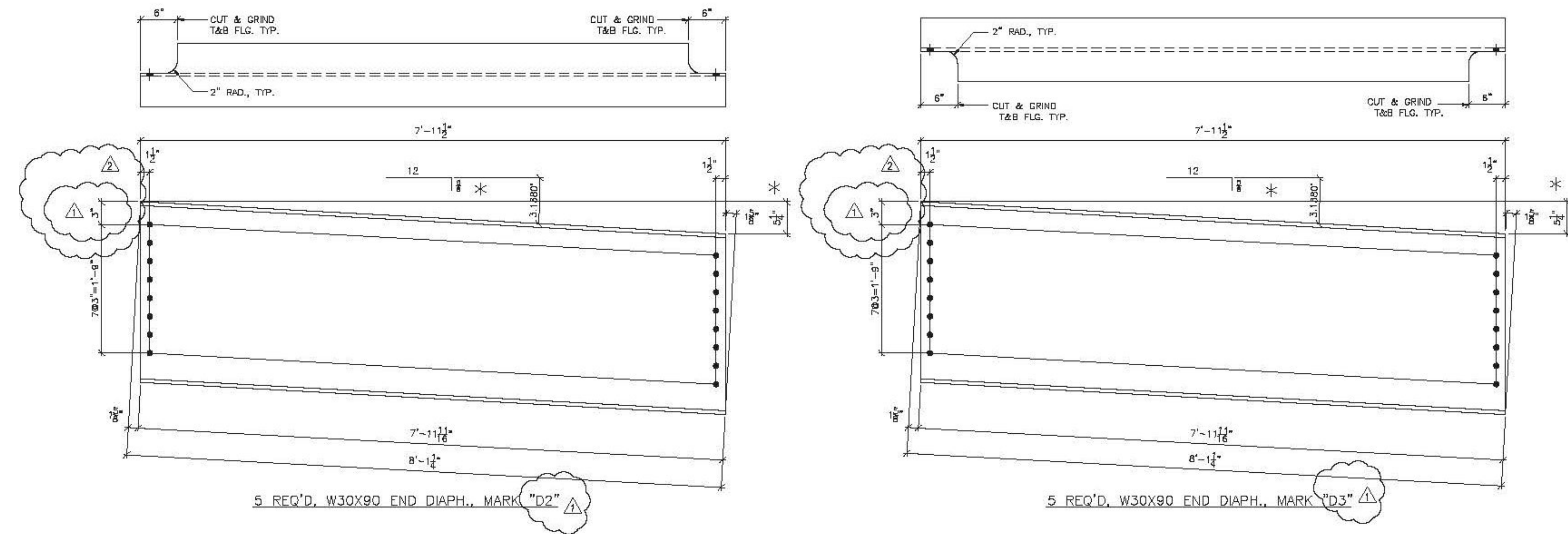
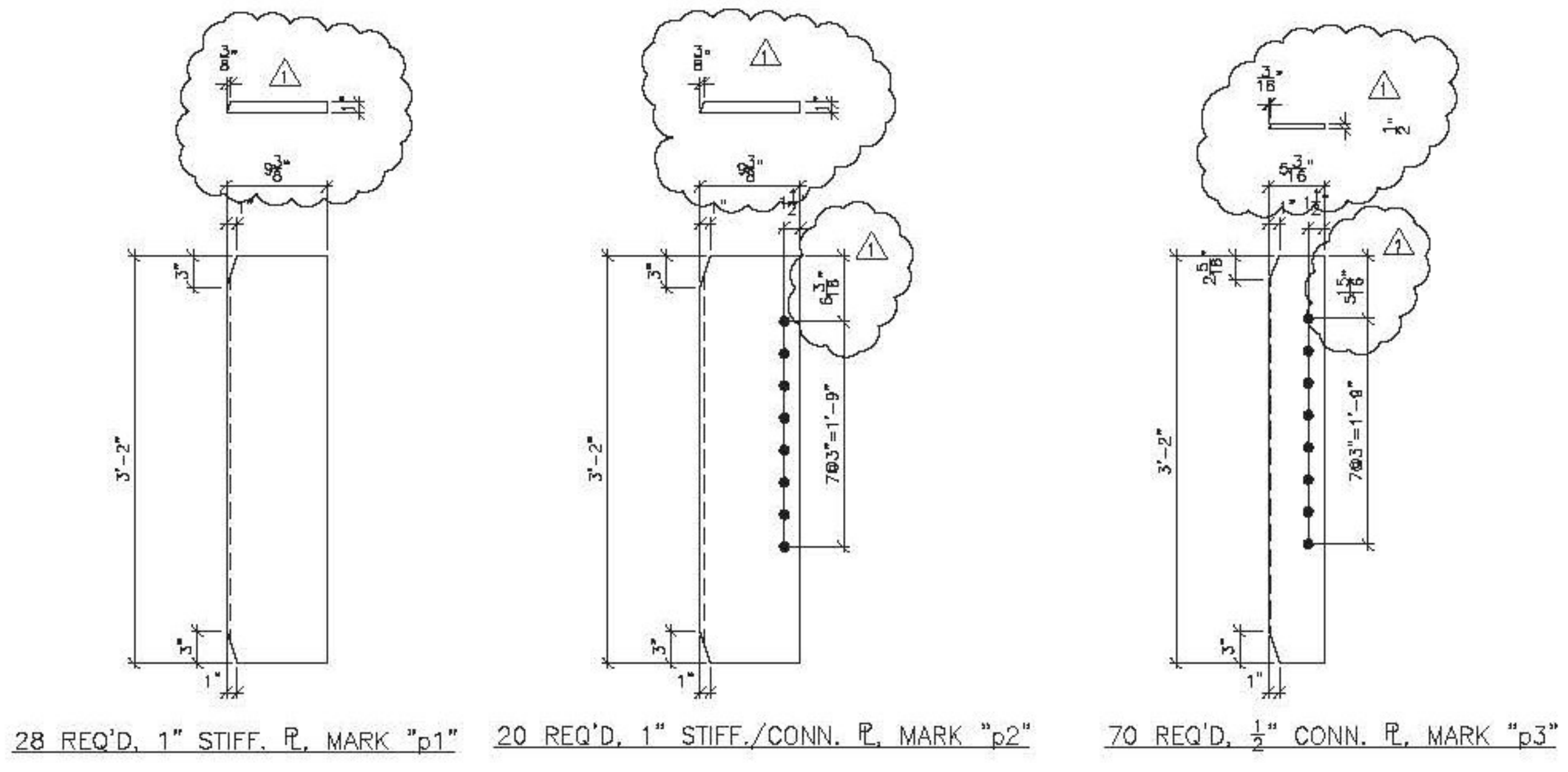


BILL OF MATERIAL

SHIP	SHIP MARK	NO. PCS.	PIECE MARK	DESCRIPTION	LENGTH	REMARKS	WT.
		28	p1	1" X 9"	3'-2"		2718
		20	p2	1" X 9"	3'-2"		1940
		70	p3	1/2" X 5 1/2"	3'-2"		1890
		2	dp1	1/4" X 3 3/8"	1'-1 3/8"		3
		D1	35	W30X90	8'-9 1/2"		26775
		D2	5	W30X90	8'-1 1/2"		3510
		D3	5	W30X90	8'-1 1/2"		3510



* NOTE: Δ
 DIAPHRAGM SLOPE IS CALCULATED
 BY USING CONNECTION HOLE LOCATIONS
 IN CONNECTION PLATE



Vermont Agency of Transportation
RECEIVED
 CK'D BY RKJUC OK'D BY VWL
 February 17, 2015
 RESUBMIT NO Approved
 BY KH DATE 2-19-2015

FINISH	DATE	BY	DESCRIPTION
Δ SSPC SP10			
MATERIAL			ASTM A709 GRADE 50W U.C.N.
HOLES			15/16" U.C.N.
ELECTRODES			
WELDS	PER WPS	Δ 2/15/15	AS NOTED JAC
SURFACE PREP		Δ 1/29/15	AS NOTED JAC
	NO DATE		BY

ARC
 ADVANCED RESOURCES & CONST.
 ENTERPRISES, INCORPORATED
 P.O. BOX 120 KINGFIELD, ME. 04947
 PHONE: (207) 265-2646 - FAX: (207) 265-4054

DRAFTER	DATE	CHECKED	DATE	MISC. DETAILS	PROJECT NO.
JAC	1/09/15	JS	1/14/15	HARTFORD, VT I-95 NB OVER US RTE. 5 PROJECT NUMBER IM 091-2(79) CUSTOMER: PCL CIVIL CONSTRUCTORS	14-180 DWG. NO. M2