

**SHOP NOTE:**  
SEE DRAWING M1 FOR RUNNING DIMENSIONS DETAIL

**TOP VIEW**

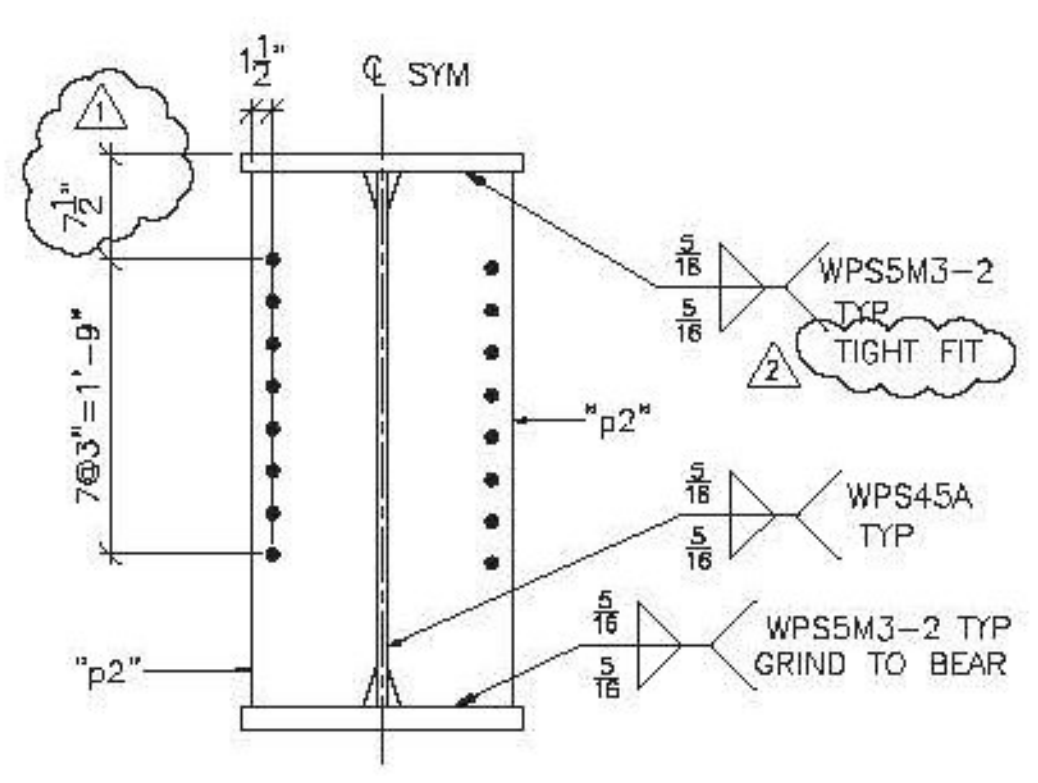
**BOTTOM VIEW**

\* STIFFENER FOR LATERAL SLIDE SUPPORT

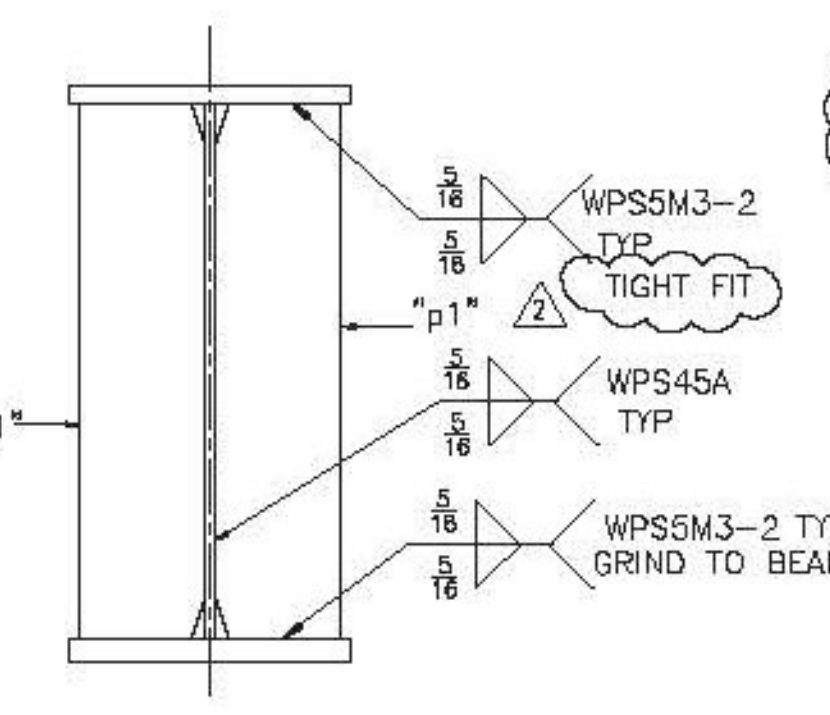
**BILL OF MATERIAL**

SHIP	SHIP MARK	NO. PCS.	PIECE MARK	DESCRIPTION	LENGTH	REMARKS	WT.
1	Q5			WELDED PLATE GIRDER			38055
		1	wp1	PL 3/8 X 36	53'-6 1/8"	CVN	4328
		1	wp2	PL 3/8 X 36	80'-0"	CVN	6466
		1	tf1	PL 1 1/2 X 20	80'-0"	CVN	6806
		1	tf2	PL 1 1/2 X 20	53'-6 1/8"	CVN	4556
		1	bf1	PL 1 1/2 X 20	44'-5 1/4"	CVN	4915
		1	bf2	PL 1 1/2 X 20	44'-5 1/4"	CVN	4915
		1	bf3	PL 1 1/2 X 20	44'-5 1/4"	CVN	4915
		4	p1	SEE SHT. M2			
		4	p2	SEE SHT. M2			
		14	p3	SEE SHT. M2			

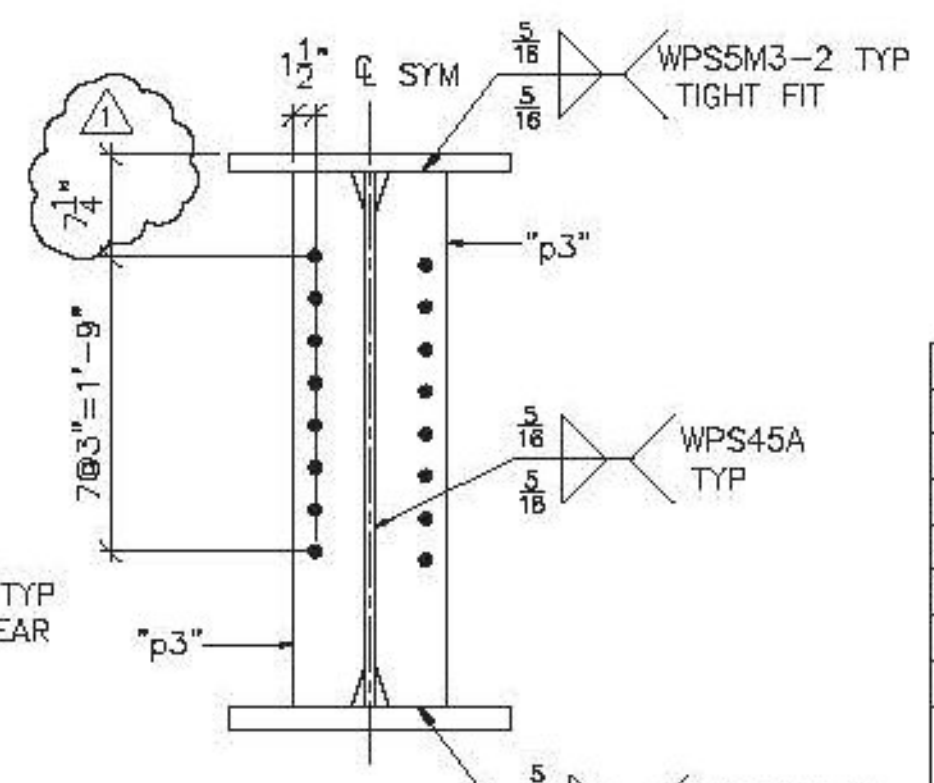
BOTTOM FLANGE PL MATERIAL SHALL BE ASTM A709 GR. HPS 70W



**SECTION F**



**SECTION C**



**SECTION G**

SEE SHEET M1 FOR CAMBER AND SECTIONS & DETAILS NOT SHOWN

Vermont Agency of Transportation  
**RECEIVED**  
CK'D BY RKGUC OK'D BY WL  
February 17, 2015  
RESUBMIT NO. Approved  
BY KH DATE 2-19-2015

**SHOP NOTE:**  
ENTIRE TOP FLANGE IS IN COMPRESSION  
ENTIRE BOTT FLANGE IS IN TENSION

FINISH	SSPC SP10				
MATERIAL	AASHTO M270 (ASTM A709) GR. 50W U.O.N.				
HOLES	15/16" U.O.N.				
ELECTRODES					
WELDS	PER WPS	2	2/13/15	AS NOTED	JAC
SURFACE PREP		1	1/29/15	AS NOTED	JAC
		NO	DATE	DESCRIPTION	BY

**ARC**  
KENTWOOD, INC.

**ADVANCED RESOURCES & CONST. ENTERPRISES, INCORPORATED**  
P.O. BOX 120 KINGFIELD, ME 04947  
PHONE: (207) 265-2846 - FAX: (207) 265-4054

DRAFTER	JAC	PROJECT NO.	14-180
DATE	1/8/15	DWG. NO.	6
CHECKED	JS		
DATE	1/14/15		

STRINGER DETAILS, G5  
HARTFORD, VT I-91 NB OVER US RTE. 5  
PROJECT NUMBER IM 091-2(79)  
G.C. PCL CIVIL CONSTRUCTORS