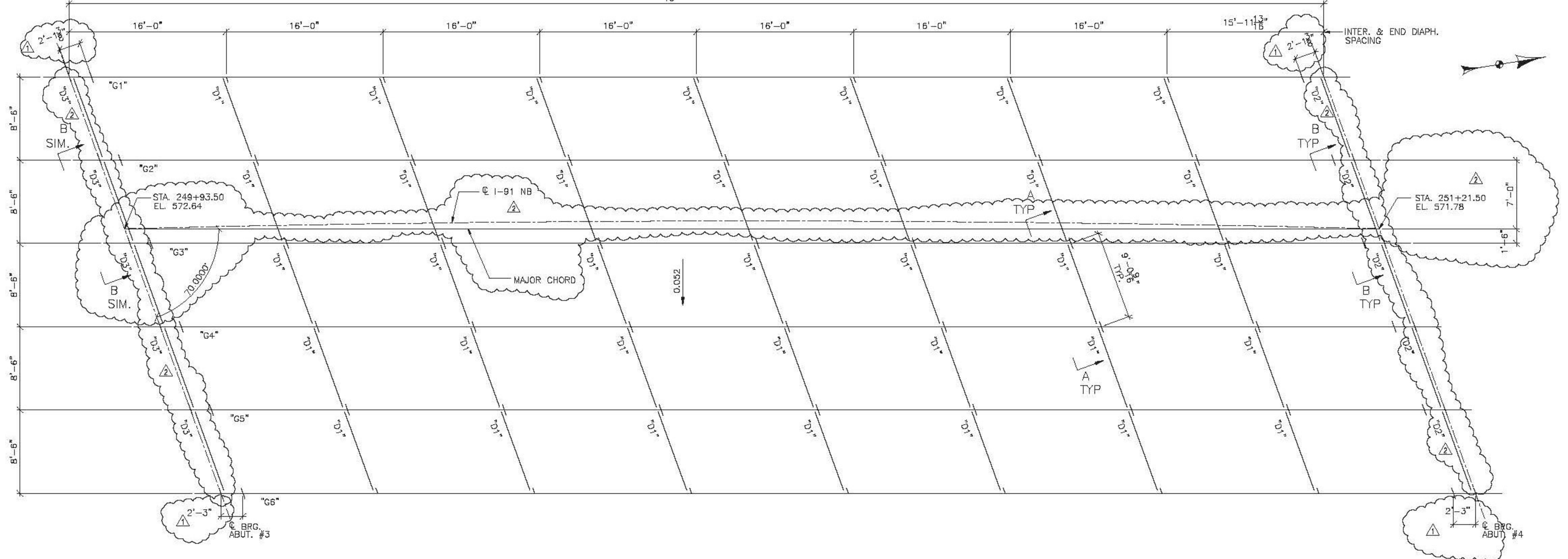
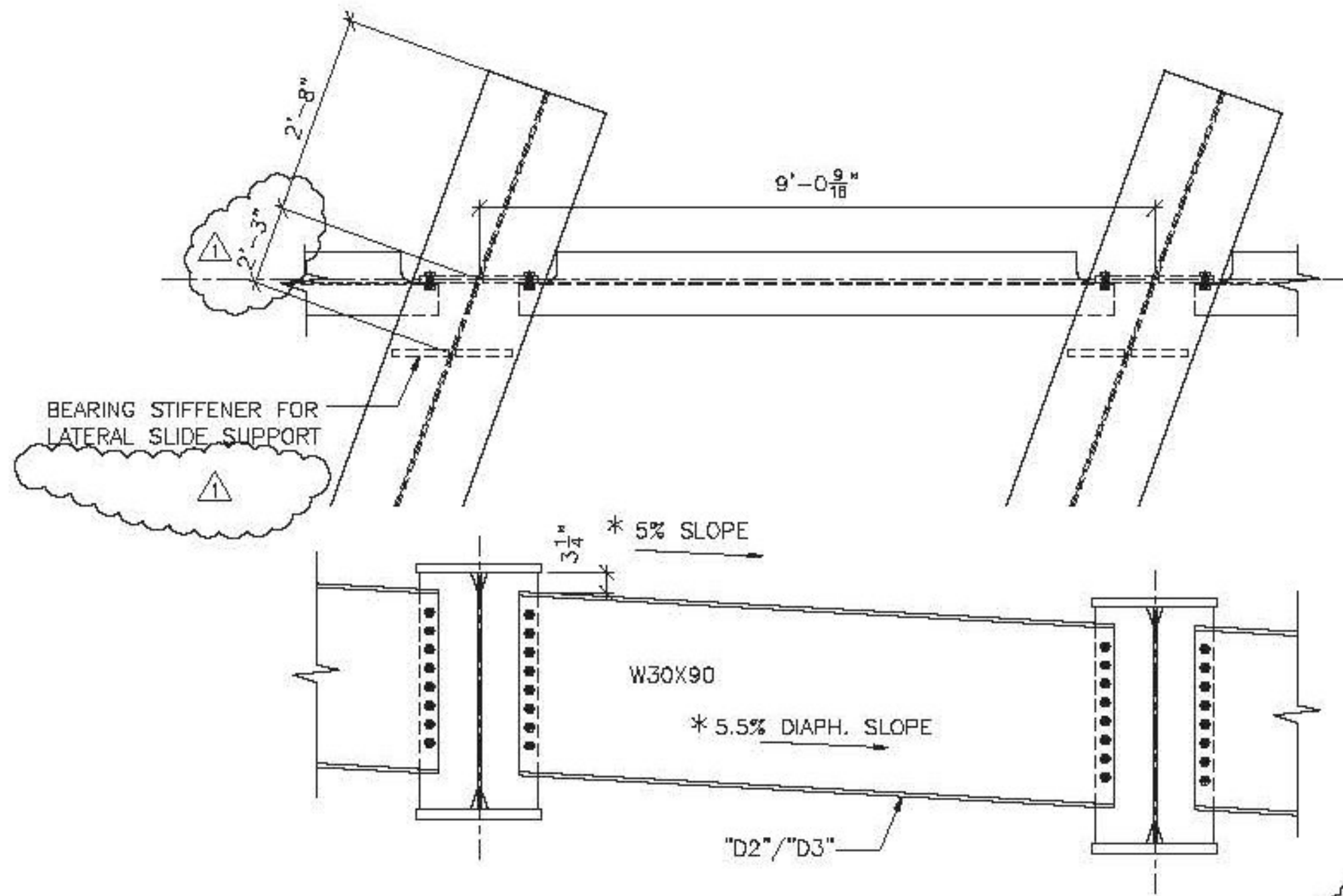


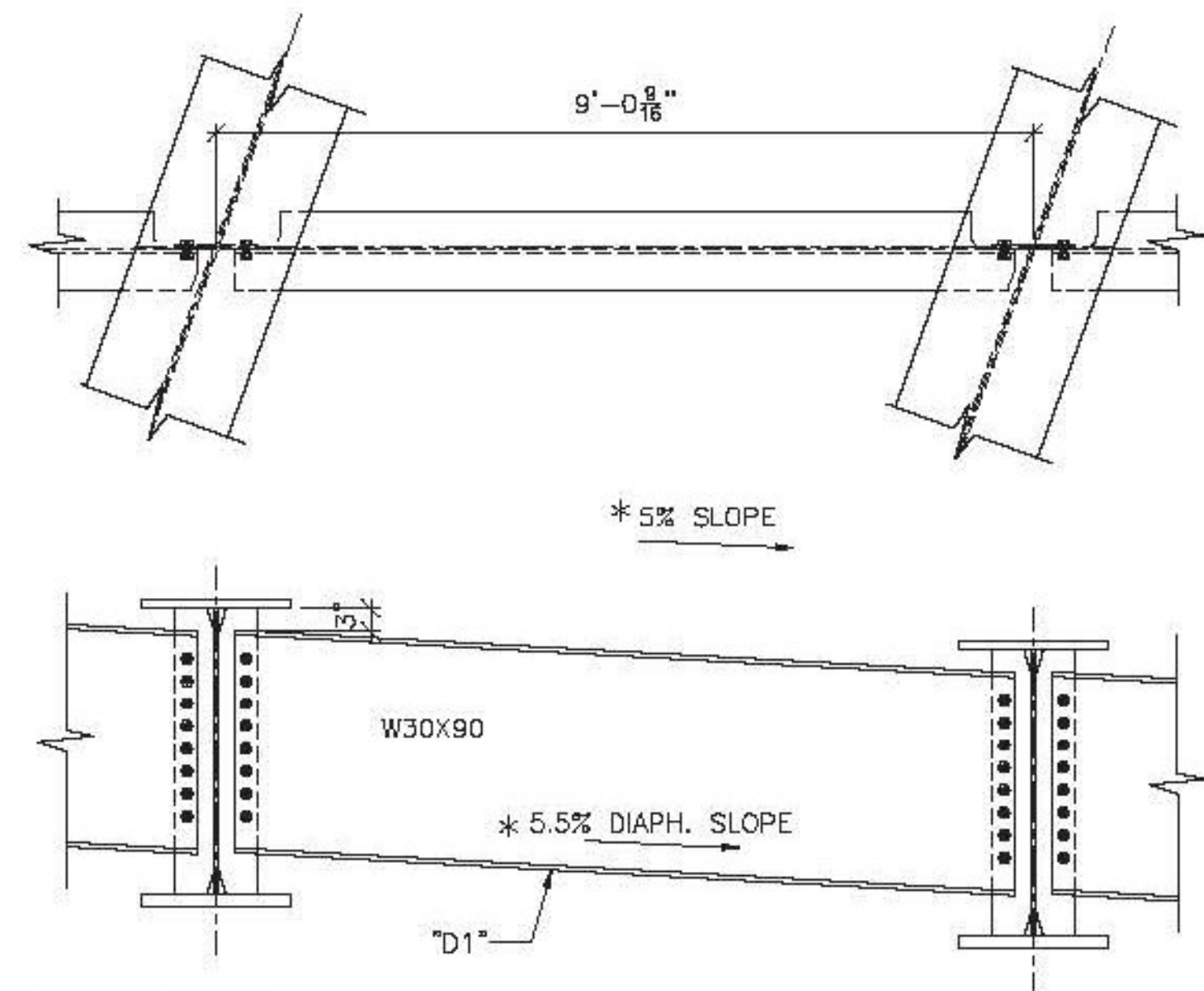
127'-11¹³/₁₆" ϕ BRG TO ϕ BRG



FRAMING PLAN



SECTION B-B
ABUT. #4 SHOWN, ABUT. #3 SIMILAR



SECTION A-A

*** NOTE:**
DIAPHRAGM SLOPE IS CALCULATED BY USING CONNECTION HOLE LOCATIONS IN CONNECTION PLATE

FIELD BOLT LIST

MARK	QTY.	DESCRIPTION	LOCATION
FB6	160	3/8" x 3"	END DIAPH. TO CONN./STIFF. ϕ
FB4	560	3/8" x 2 1/2"	INTER. DIAPH. TO CONN. ϕ
	720	DIRECT TENSION INDICATORS + THREE (3) TEST ASSEMBLIES	

NO	DATE	DESCRIPTION	BY
REVISIONS			

ARC
ENTERPRISES, INC.
ADVANCED RESOURCES & CONST. ENTERPRISES, INCORPORATED
P.O. BOX 120 KINGFIELD, ME. 04947
PHONE: (207) 265-2646 - FAX: (207) 265-4054

Vermont Agency of Transportation
RECEIVED
CK'D BY RKJC OK'D BY VWL
February 17, 2015
RESUBMIT NO Approved
BY KH DATE 2-19-2015

DRAFTER JAC	FRAMING PLAN	PROJECT NO. 14-180
DATE 1/05/15	HARTFORD, VT I-91 NB OVER US RTE. 5	DWG. NO. 1
CHECKED CNM	PROJECT NUMBER IM 081-2(79)	
DATE 1/14/15	SEC PCL CIVIL CONSTRUCTORS	

J.A.C. DRAFTING/545B14/1