

1' BEARING E, Pcmk. 'P1'
 SCALE: 1/2" = 1'-0"
 FOR USE ON FASCIA GIRDERS & ABUTMENTS
 & AS LATERAL SLIDE BEARING STIFFENER

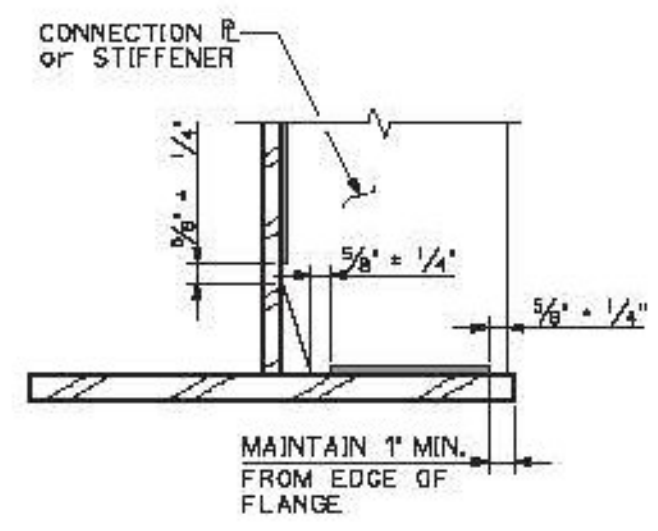
1' BEARING E, Pcmk. VARIES
 SCALE: 1/2" = 1'-0"
 FOR USE ON ABUTMENTS

1/2" CONNECTION E, Pcmk. VARIES
 SCALE: 1/2" = 1'-0"
 FOR USE ON INTERMEDIATE DIAPHRAGM CONNECTIONS

SOUTHBOUND BOLT SCHEDULE

NO. BOLTS	PIECE MARK	LENGTH	DESCRIPTION	LOCATION
220	FB1	3"	3/8" BOLT w/N&W and DTI (WEATHERING) ASTM A325, TYPE 3	ABUTMENT DIAPHRAGMS
550	FB2	2 1/2"	3/8" BOLT w/N&W and DTI (WEATHERING) ASTM A325, TYPE 3	INTERMEDIATE DIAPHRAGMS

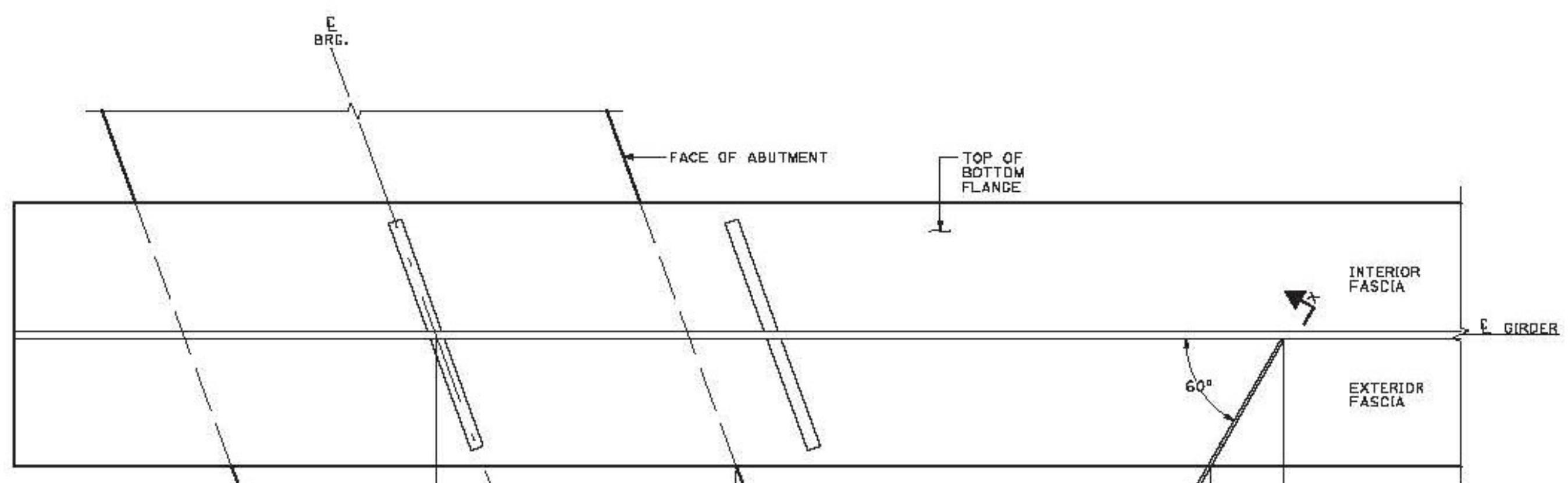
FABRICATOR SHALL SUPPLY (3) TEST ASSEMBLIES OF EACH BOLT LENGTH per SPECIFICATIONS.



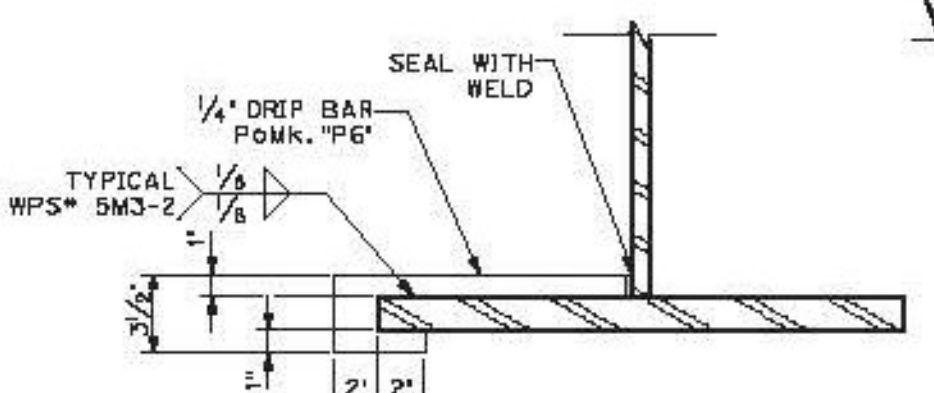
TYPICAL CONNECTION E WELD TERMINATION DETAIL
 N.T.S.

BILL OF MATERIALS

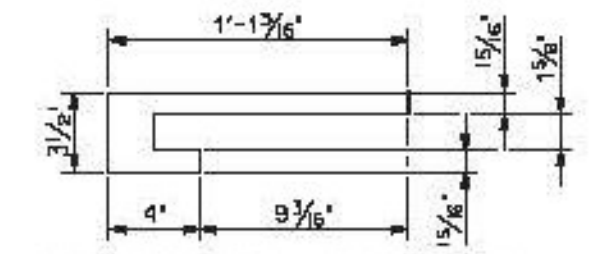
SHIP	SHIP MARK	NO. PCS.	PIECE MARK	DESCRIPTION	LENGTH	WEIGHT	MATERIAL
28	P1			E 1' x 9'	4'-2"	130# EACH	
10	P2			E 1' x 9'	4'-2"	130# EACH	
10	P3			E 1' x 9'	4'-2"	130# EACH	
25	P4			E 1/2' x 5'	4'-2"	40# EACH	
25	P5			E 1/2' x 5'	4'-2"	40# EACH	
2	P6			E 1/4' x 3 1/2' DRIP BARS	1'-1 1/8"	5# EACH	



NOTE: GIRDER 7 SHOWN GIRDER 12 SIMILAR

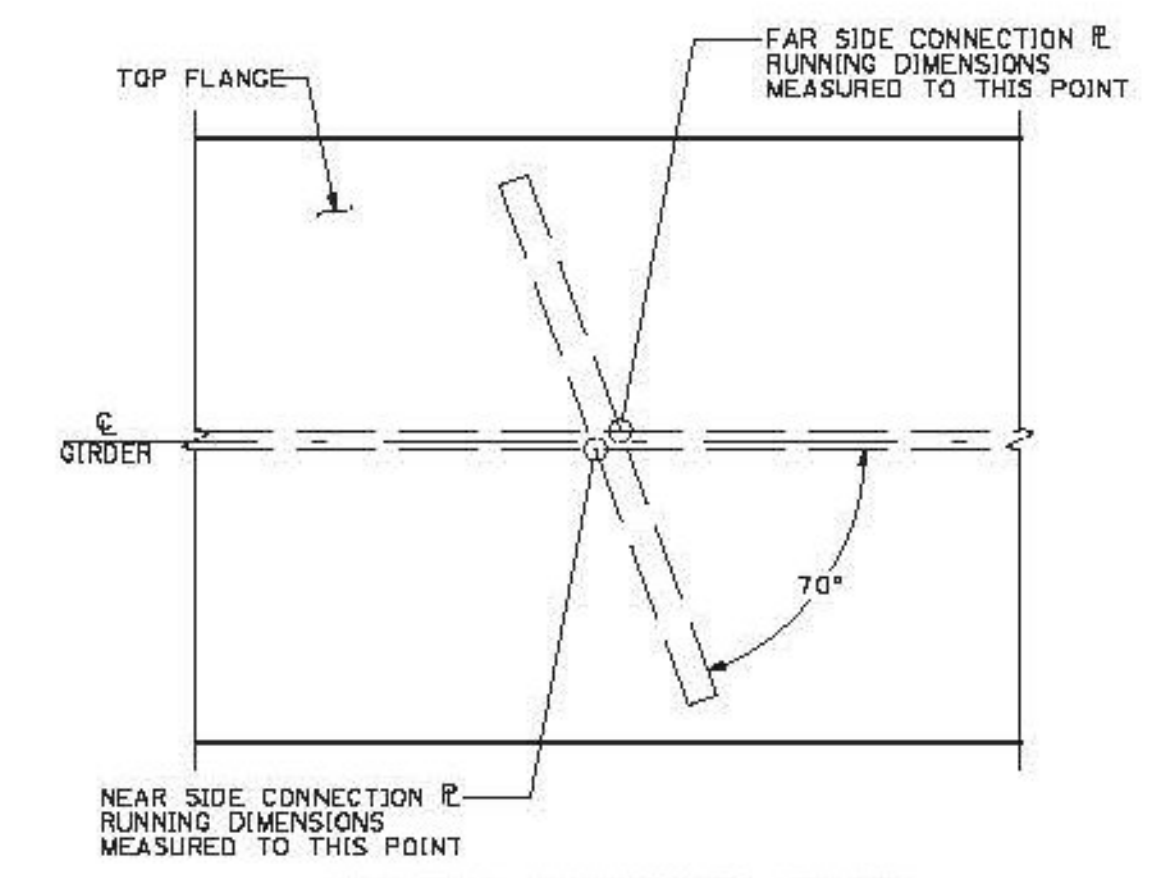


DRIP BAR SECTION
 SCALE: 1/2" = 1'-0"



**1/4\"/>
 SCALE: 1/2" = 1'-0"**

DIMENSIONS FOR Pcmk. 'P6' HAVE NOT BEEN REVISED. THE 'E' USED FOR THE DRIP BAR INCLUDE A 1/8" TOLERANCE ON THE TOP AND THE BOTTOM OF THE FLANGE TO FACILITATE INSTALLATION.



RUNNING DIMENSIONS DETAIL
 SCALE: 2" = 1'-0"

Vermont Agency of Transportation
RECEIVED

CK'D BY RKJIC OK'D BY WL
 February 17, 2015
 RESUBMIT NO Approved
 BY KH DATE 2-19-2015

PROJECT No. IM 091-2(7B)
 ITEM No. 506.55

NO	DATE	DESCRIPTION	BY
2	2/17/14	As noted	JJH
1	2/5/15	HOLE LOCATION	JJH



ADVANCED RESOURCES & CONST. ENTERPRISES, INCORPORATED
 P.O. BOX 120 KINGFIELD, ME. 04947
 PHONE: (207) 265-2646 - FAX: (207) 265-4054

DRAFTER	DATE	CHECKED	DATE	PROJECT NO.
JJH	JAN 2015	GMM	JAN 2015	14-180

SOUTHBOUND MISCELLANEOUS DETAILS
 HARTFORD, VT I-91 SB OVER US RTE 6
 PROJECT NUMBER IM 091-2(7B)
 PCL CIVIL CONSTRUCTORS

DWG NO. 80