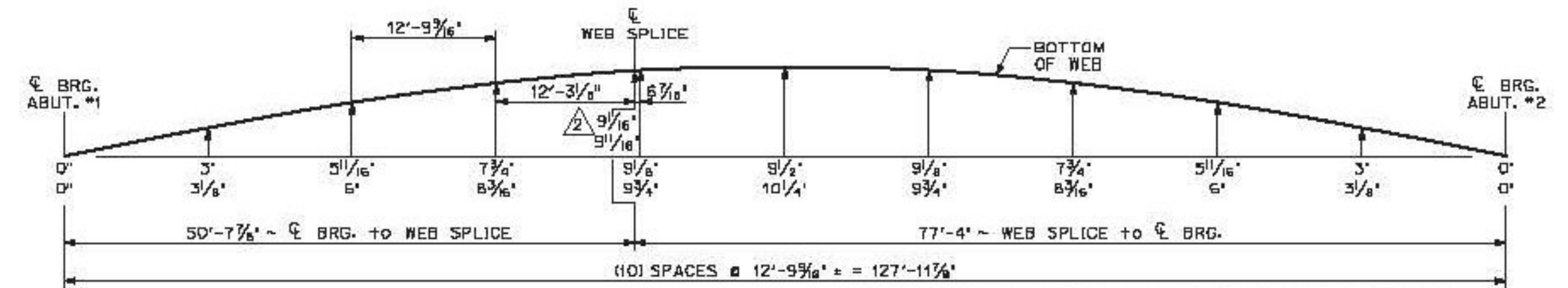
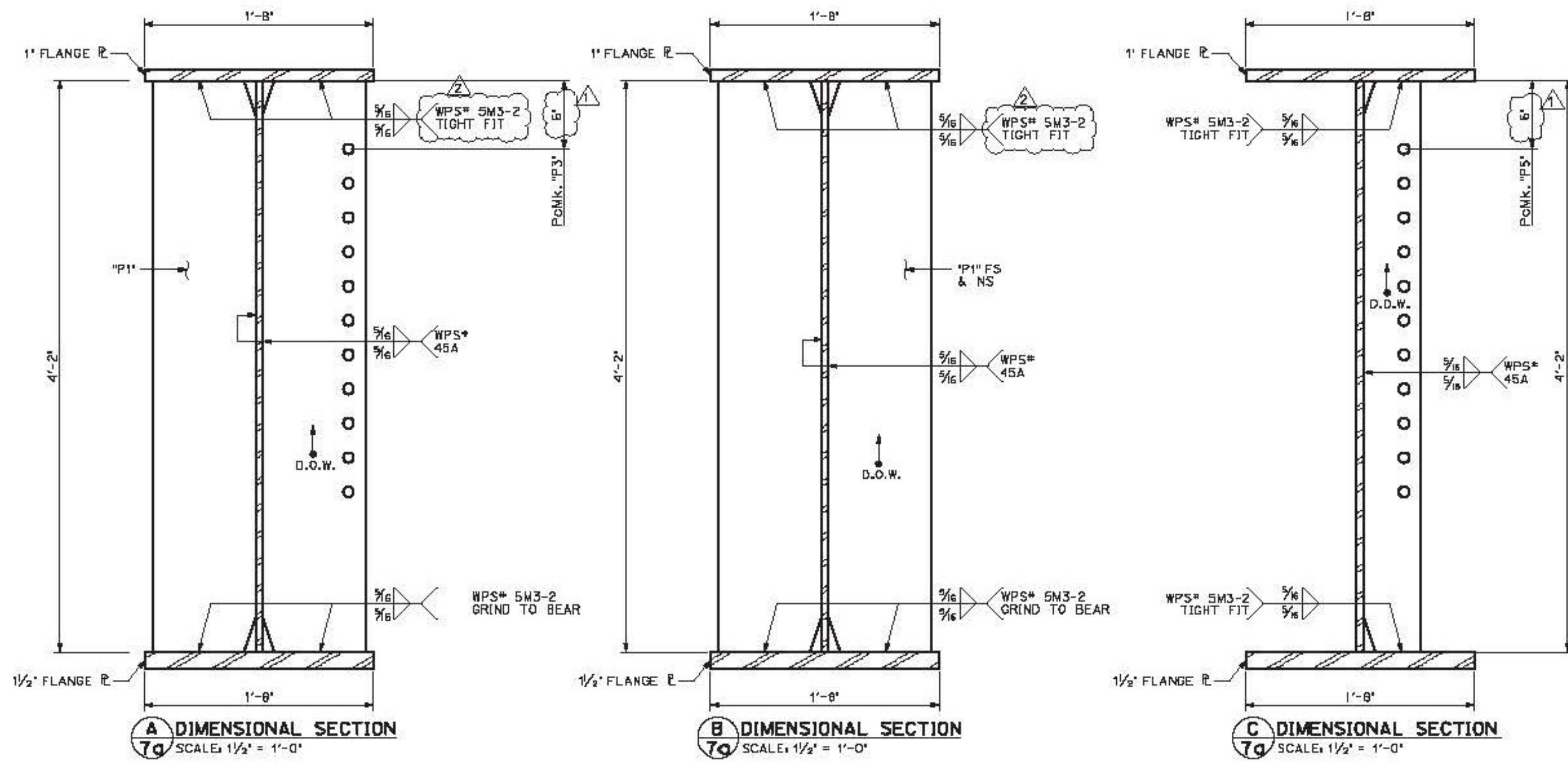


**1 DIMENSIONAL PLANS & ELEVATIONS - GIRDER 'G12'**  
 HORIZONTAL SCALE: 1/4" = 1'-0"  
 VERTICAL SCALE: EXAGGERATED 2x



THE TWO CAMBER DIMENSIONS SHOWN REPRESENT THE FOLLOWING:  
 TOP DIMENSION - TOTAL CAMBER IN FINISHED BEAM IN A NO-LOAD POSITION  
 BTM. DIMENSION - TOTAL CAMBER IN BEAM @ TIME OF FABRICATION



BILL OF MATERIALS						
SHIP	SHIP MARK	NO. PCS.	PIECE MARK	DESCRIPTION	LENGTH	REMARKS
1	G12			BRIDGE GIRDER ASSEMBLY	133'-5 1/2"	38,100#
		1	WP11	R 9/8" x 50"	53'-4 1/4"	5700# CVN (LENGTH VERIFIED)
		1	WP12	R 9/8" x 50"	80'-1 3/4"	8550# CVN
		1	TF11	R 1" x 20"	80'-1"	5475# CVN
		1	TF12	R 1" x 20"	53'-4 3/4"	3650# CVN
		1	BF11	R 1 1/2" x 20"	80'-0 1/4"	8200# CVN
		1	BF12	R 1 1/2" x 20"	53'-4"	5450# CVN
		6	P1	SEE SHEET 80		
		2	P3	SEE SHEET 80		
		5	P6	SEE SHEET 80		
		1	P6	R 1/4" x 3/4" DRIP BAR		

Vermont Agency of Transportation  
**RECEIVED**  
 CK'D BY RKJC OK'D BY WL  
 February 17, 2015  
 RESUBMIT NO Approved  
 BY KH DATE 2-19-2015  
 PROJECT No. IM 091-2(79)  
 ITEM No. 506.55

FINISH	MATERIAL	HOLES	ELECTRODES	WELDS	SURFACE PREP	NO	DATE	DESCRIPTION	BY
SSPC SP10	AASHTO M270 (ASTM A709) GRADE 50W	15/16" @ U.N.O.	PER WELD PROCEDURE	PER WELD PROCEDURE	PREP SSPC SP6	2	2/17/14	As noted	JWH
						1	2/5/15	HOLE & PLATE LOCATION	JWH

REVISIONS

NO	DATE	DESCRIPTION	BY

ARC  
 ADVANCED RESOURCES & CONST. ENTERPRISES, INCORPORATED  
 P.O. BOX 120 KINGFIELD, ME. 04947  
 PHONE: (207) 265-2646 - FAX: (207) 265-4054

DRAFTER: JWH	SOUTHBOUND GIRDER 'G12'	PROJECT NO. 14-180
DATE: JAN 2015	HARTFORD, VT I-91 SB OVER US RTE 6	DWG. NO. 7a
CHECKED: GNM	PROJECT NUMBER IM 091-2(79)	
DATE: JAN 2015	PCL CIVIL CONSTRUCTORS	