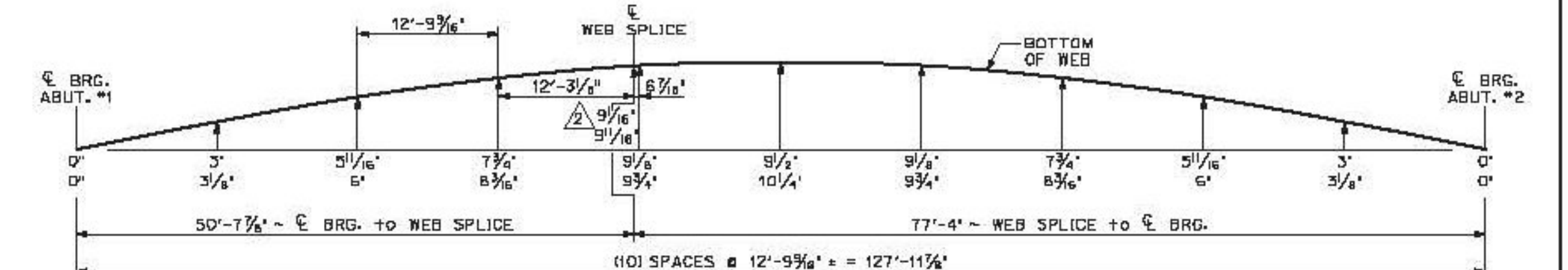
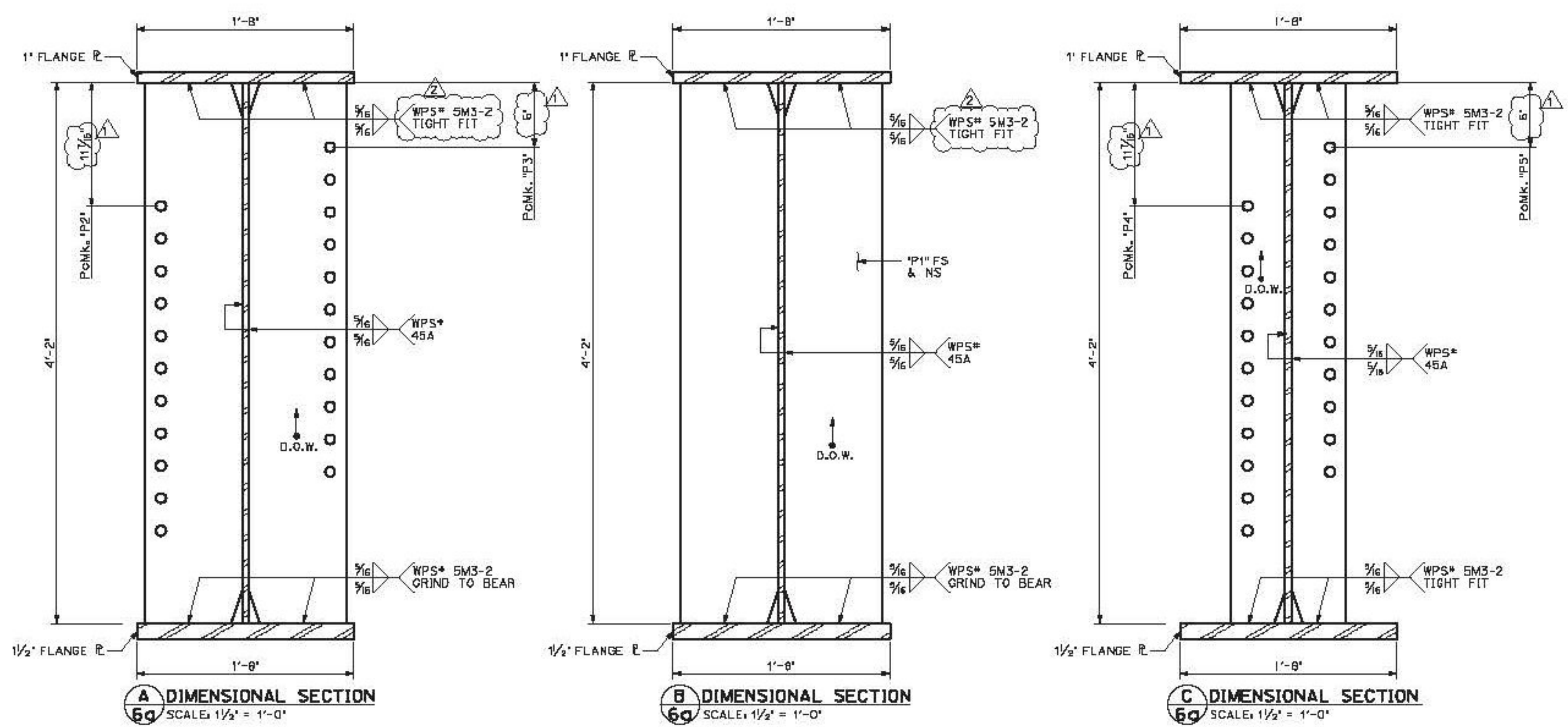


1 DIMENSIONAL PLANS & ELEVATIONS - GIRDER 'G11'
 6a HORIZONTAL SCALE: 1/4" = 1'-0"
 6b VERTICAL SCALE: EXAGGERATED 2x



THE TWO CAMBER DIMENSIONS SHOWN REPRESENT THE FOLLOWING:
 TOP DIMENSION - TOTAL CAMBER IN FINISHED BEAM IN A NO-LOAD POSITION
 BTM. DIMENSION - TOTAL CAMBER IN BEAM @ TIME OF FABRICATION



BILL OF MATERIALS

SHIP	SHIP MARK	NO. PCS.	PIECE MARK	DESCRIPTION	LENGTH	REMARKS	MAT'L
1	G11			BRIDGE GIRDER ASSEMBLY	133'-5 1/2'	38,225*	
		1	WP9	R 9/8" x 50'	53'-4 1/4'	5700*	CVN (LENGTH VERIFIED)
		1	WP10	R 9/8" x 50'	80'-1 3/4'	8550*	CVN
		1	TF9	R 1' x 20'	80'-1"	5475*	CVN
		1	TF10	R 1' x 20'	53'-4 3/4'	3650*	CVN
		1	BF9	R 1 1/2" x 20'	80'-0 1/4'	8200*	CVN
		1	BF10	R 1 1/2" x 20'	53'-4'	5450*	CVN
		4	P1	SEE SHEET 8a			
		2	P2	SEE SHEET 8a			
		2	P3	SEE SHEET 8a			
		5	P4	SEE SHEET 8a			
		5	P5	SEE SHEET 8a			

Vermont Agency of Transportation
RECEIVED
 CK'D BY RKJC OK'D BY WL
 February 17, 2015
 RESUBMIT NO Approved
 BY KH DATE 2-19-2015

PROJECT No. IM 091-2(79)
 ITEM No. 506.55

FINISH	SSPC SP10
MATERIAL	AASHTO M270 (ASTM A709) GRADE 50W
HOLES	15/16" @ U.N.O.
ELECTRODES	PER WELD PROCEDURE
WELDS	PER WELD PROCEDURE
SURFACE PREP	SSPC SP6

REVISIONS

NO.	DATE	DESCRIPTION	BY
2	2/17/14	As noted	JJH
1	2/5/15	HOLE & PLATE LOCATION	JJH

ARC
 ADVANCED RESOURCES & CONST. ENTERPRISES, INCORPORATED
 P.O. BOX 120 KINGFIELD, ME, 04947
 PHONE: (207) 265-2646 - FAX: (207) 265-4054

DRAFTER: JJH
 DATE: JAN 2015
 CHECKED: GNM
 DATE: JAN 2015

SOUTHBOUND GIRDER 'G11'
 HARTFORD, VT I-91 SB OVER US RTE 5
 PROJECT NUMBER IM 091-2(79)

PROJECT NO. 14-180
 DWG. NO. 60

SHIP MARK CHANGED FROM 'G5' TO 'G11'. TYPICAL ALL APPLICABLE DETAILS

SEE 'RUNNING DIMENSIONS DETAIL' ON SHEET '80'

(1) GIRDER ASSEMBLY 133'-5 1/2' LONG - PGMK. 'G11'

6a HORIZONTAL SCALE: 1/4" = 1'-0"
 6b VERTICAL SCALE: EXAGGERATED 2x

GIRDER 'G11' CAMBER

6a DIMENSIONAL SECTION
 SCALE: 1/2" = 1'-0"

6b DIMENSIONAL SECTION
 SCALE: 1/2" = 1'-0"

6c DIMENSIONAL SECTION
 SCALE: 1/2" = 1'-0"