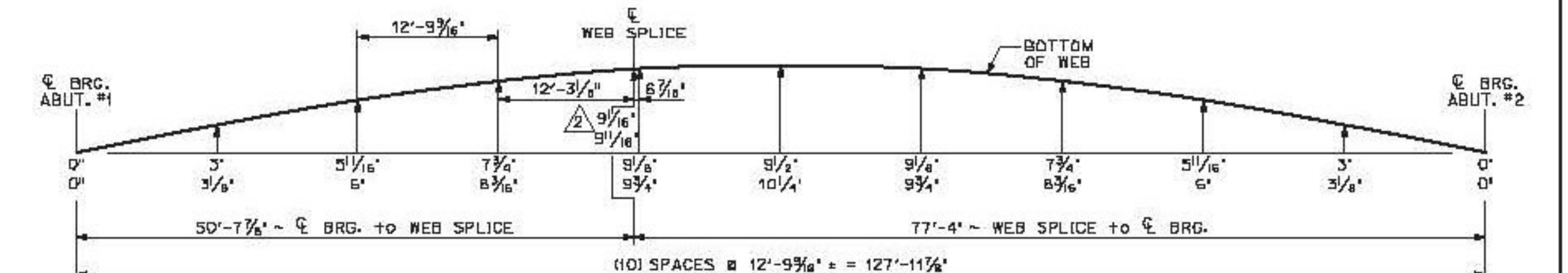
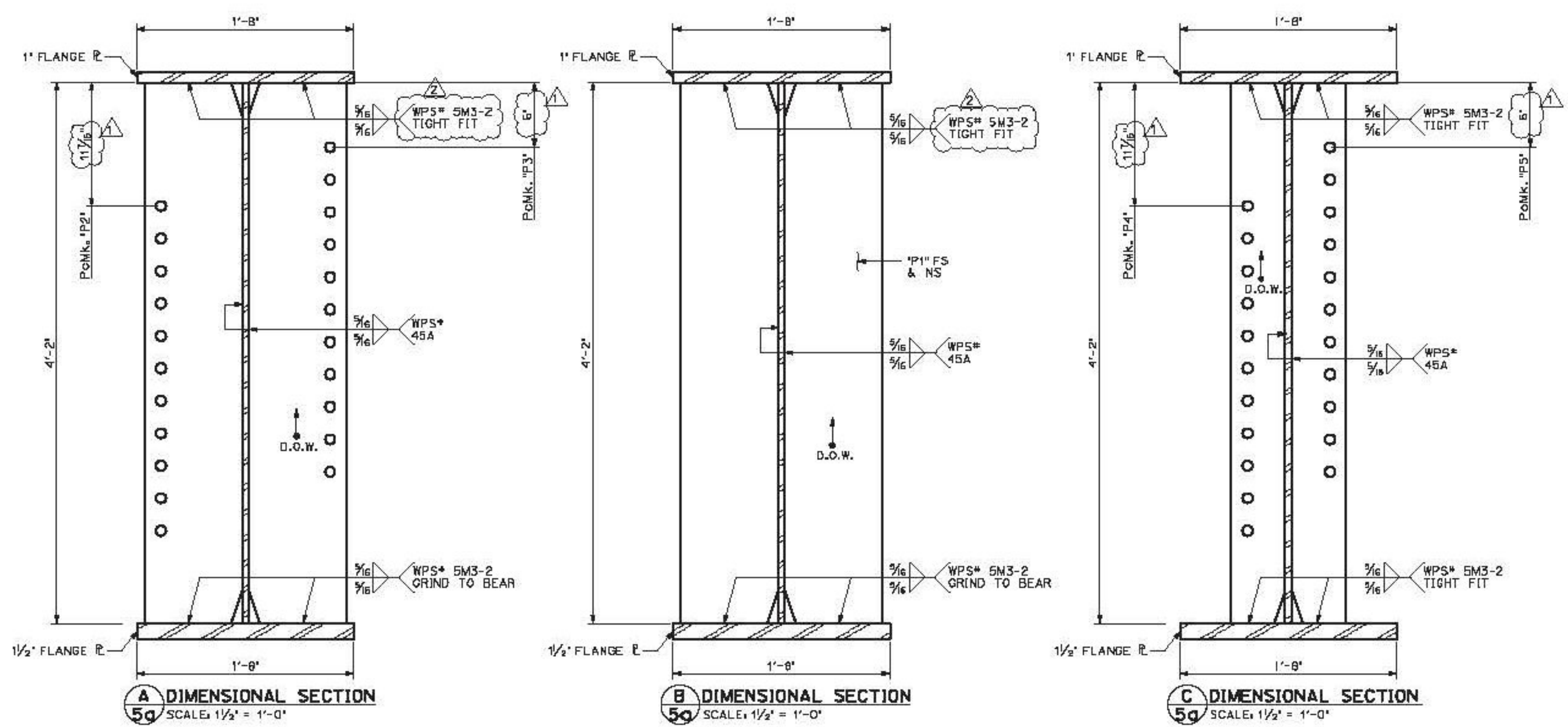


**1 DIMENSIONAL PLANS & ELEVATIONS - GIRDER 'G10'**  
 5a HORIZONTAL SCALE: 1/4" = 1'-0"  
 VERTICAL SCALE: EXAGGERATED 2x



**GIRDER 'G10' CAMBER**  
 THE TWO CAMBER DIMENSIONS SHOWN REPRESENT THE FOLLOWING:  
 TOP DIMENSION - TOTAL CAMBER IN FINISHED BEAM IN A NO-LOAD POSITION  
 BTM. DIMENSION - TOTAL CAMBER IN BEAM @ TIME OF FABRICATION



**BILL OF MATERIALS**

SHIP	SHIP MARK	NO. PCS.	PIECE MARK	DESCRIPTION	LENGTH	REMARKS	MAT'L
1	G10			BRIDGE GIRDER ASSEMBLY	133'-5 1/2'	38,225*	
		1	WP7	R 9/8" x 50'	53'-4 1/4'	5700*	CVN (LENGTH VERIFIED)
		1	WP8	R 9/8" x 50'	80'-1 3/4'	8550*	CVN
		1	TF7	R 1' x 20'	80'-1'	5475*	CVN
		1	TF8	R 1' x 20'	53'-4 3/4'	3650*	CVN
		1	BF7	R 1 1/2" x 20'	80'-0 1/4'	8200*	CVN
		1	BF8	R 1 1/2" x 20'	53'-4'	5450*	CVN
		4	P1	SEE SHEET 8a			
		2	P2	SEE SHEET 8a			
		2	P3	SEE SHEET 8a			
		5	P4	SEE SHEET 8a			
		6	P5	SEE SHEET 8a			

Vermont Agency of Transportation  
**RECEIVED**  
 CK'D BY RKJC OK'D BY WL  
 February 17, 2015  
 RESUBMIT NO Approved  
 BY KH DATE 2-19-2015  
 PROJECT No. IM 091-2(79)  
 ITEM No. 506.55

FINISH	SSPC SP10
MATERIAL	AASHTO M270 (ASTM A709) GRADE 50W
HOLES	15/16" @ U.N.O.
ELECTRODES	PER WELD PROCEDURE
WELDS	PER WELD PROCEDURE
SURFACE PREP	SSPC SP6

REVISIONS

NO.	DATE	DESCRIPTION	BY

ARC  
 ADVANCED RESOURCES & CONST. ENTERPRISES, INCORPORATED  
 P.O. BOX 120 KINGFIELD, ME, 04947  
 PHONE: (207) 265-2646 - FAX: (207) 265-4054

DRAFTER: JHH SOUTHBOUND GIRDER 'G10' PROJECT NO. 14-180  
 DATE: JAN 2015 HARTFORD, VT I-91 SB OVER US RTE 6 PROJECT NUMBER IM 091-2(79)  
 CHECKED: GNM DATE: JAN 2015 PCL CIVIL CONSTRUCTORS DWG. NO. 5a

SHIP MARK CHANGED FROM 'G4' TO 'G10'.  
 TYPICAL ALL APPLICABLE DETAILS