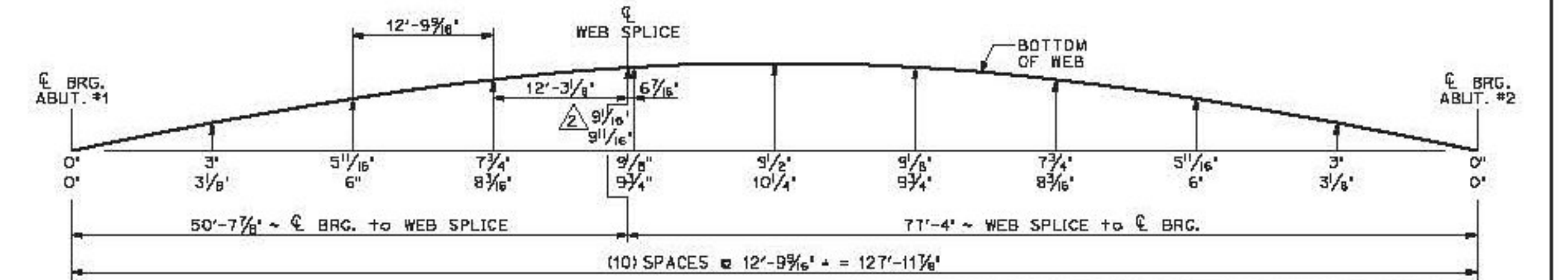
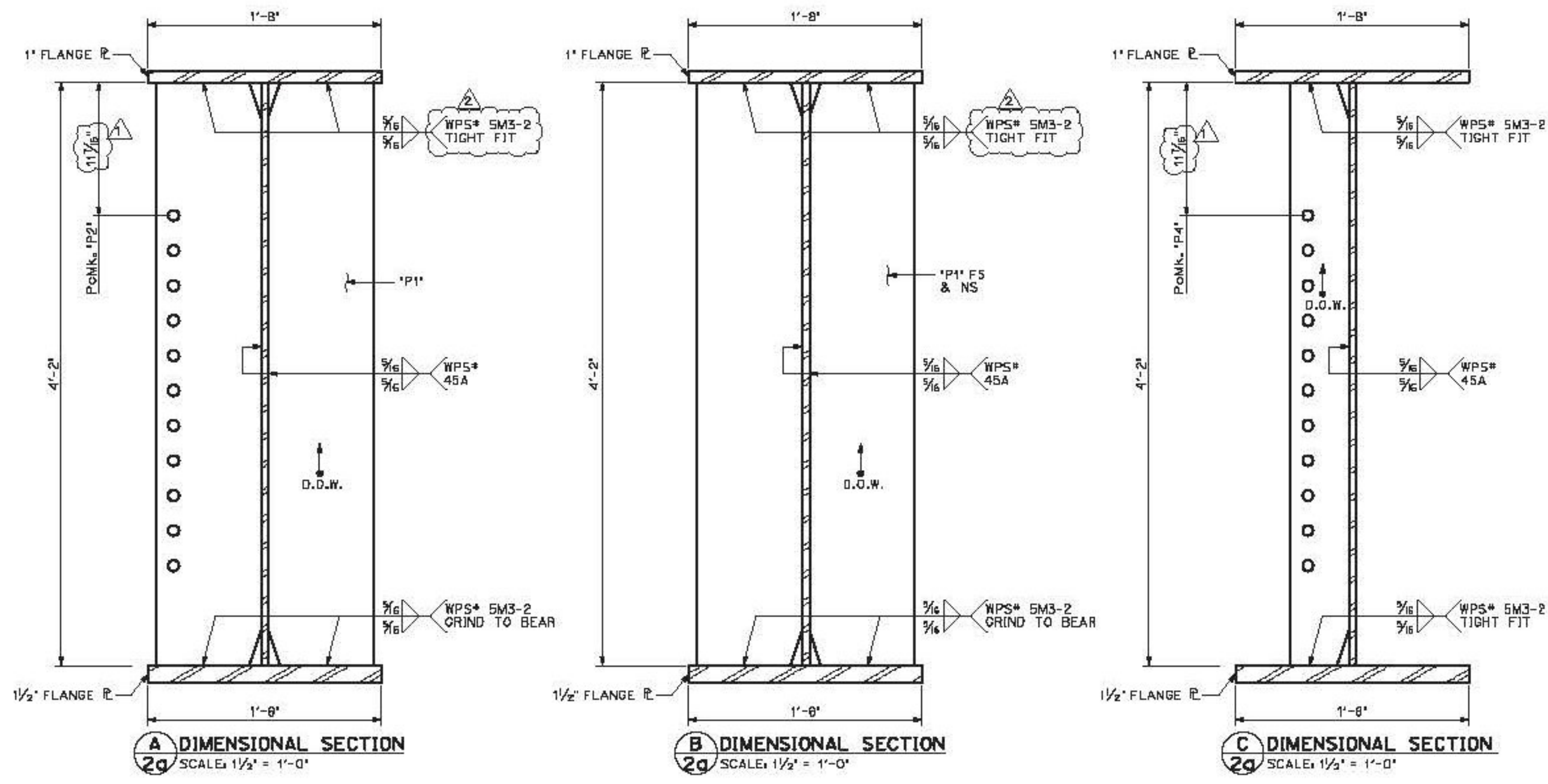


1 DIMENSIONAL PLANS & ELEVATIONS ~ GIRDER 'G7'
 HORIZONTAL SCALE: 1/4" = 1'-0"
 VERTICAL SCALE: EXAGGERATED 2x



THE TWO CAMBER DIMENSIONS SHOWN REPRESENT THE FOLLOWING:
 TOP DIMENSION ~ TOTAL CAMBER IN FINISHED BEAM IN A NO-LOAD POSITION
 BTM. DIMENSION ~ TOTAL CAMBER IN BEAM @ TIME OF FABRICATION



BILL OF MATERIALS							
SHIP	SHIP MARK	NO. PCS.	PIECE MARK	DESCRIPTION	LENGTH	REMARKS	MAT'L
1	G7			BRIDGE GIRDER ASSEMBLY	133'-5 1/2'	38,100*	
		1	WP1	R 9/8" x 50'	53'-4 1/4'	5700*	CVN (LENGTH VERIFIED)
		1	WP2	R 9/8" x 50'	80'-1 3/4'	8550*	CVN
		1	TF1	R 1' x 20'	80'-1'	5475*	CVN
		1	TF2	R 1' x 20'	53'-4 3/4'	3650*	CVN
		1	BF1	R 1 1/2' x 20'	80'-0 1/4'	8200*	CVN
		1	BF2	R 1 1/2' x 20'	53'-4'	5450*	CVN
		6	P1	SEE SHEET B0			
		2	P2	SEE SHEET B0			
		5	P4	SEE SHEET B0			
		1	P6	R 1/4' x 3/4' DRIP BAR			

Vermont Agency of Transportation
RECEIVED
 CK'D BY RKJCC OK'D BY WIL
 February 17, 2015
 RESUBMIT NO Approved
 BY KH DATE 2-19-2015

PROJECT No. IM 091-2(79)
 ITEM No. 506.55

FINISH	SSPC SP10		
MATERIAL	AASHTO M270 (ASTM A709) GRADE 50W		
HOLES	15/16" @ U.N.O.		
ELECTRODES	PER WELD PROCEDURE		
WELDS	PER WELD PROCEDURE	2	2/17/14 As noted JH
SURFACE PREP	SSPC SP6	1	2/5/15 HOLE & PLATE LOCATION JH
		NO	DATE DESCRIPTION BY

ARC
 ADVANCED RESOURCES & CONST. ENTERPRISES, INCORPORATED
 P.O. BOX 120 KINGFIELD, ME, 04947
 PHONE: (207) 268-2646 - FAX: (207) 268-4054

DRAFTER: JHH SOUTHBOUND GIRDER 'G7'
 DATE: JAN 2015 HARTFORD, VT I-91 SB OVER US RTE 6
 CHECKED: GMM PROJECT NUMBER IM 091-2(79)
 DATE: JAN 2015 PCL CIVIL CONSTRUCTORS

PROJECT NO. 14-180
 DWG. NO. 2a