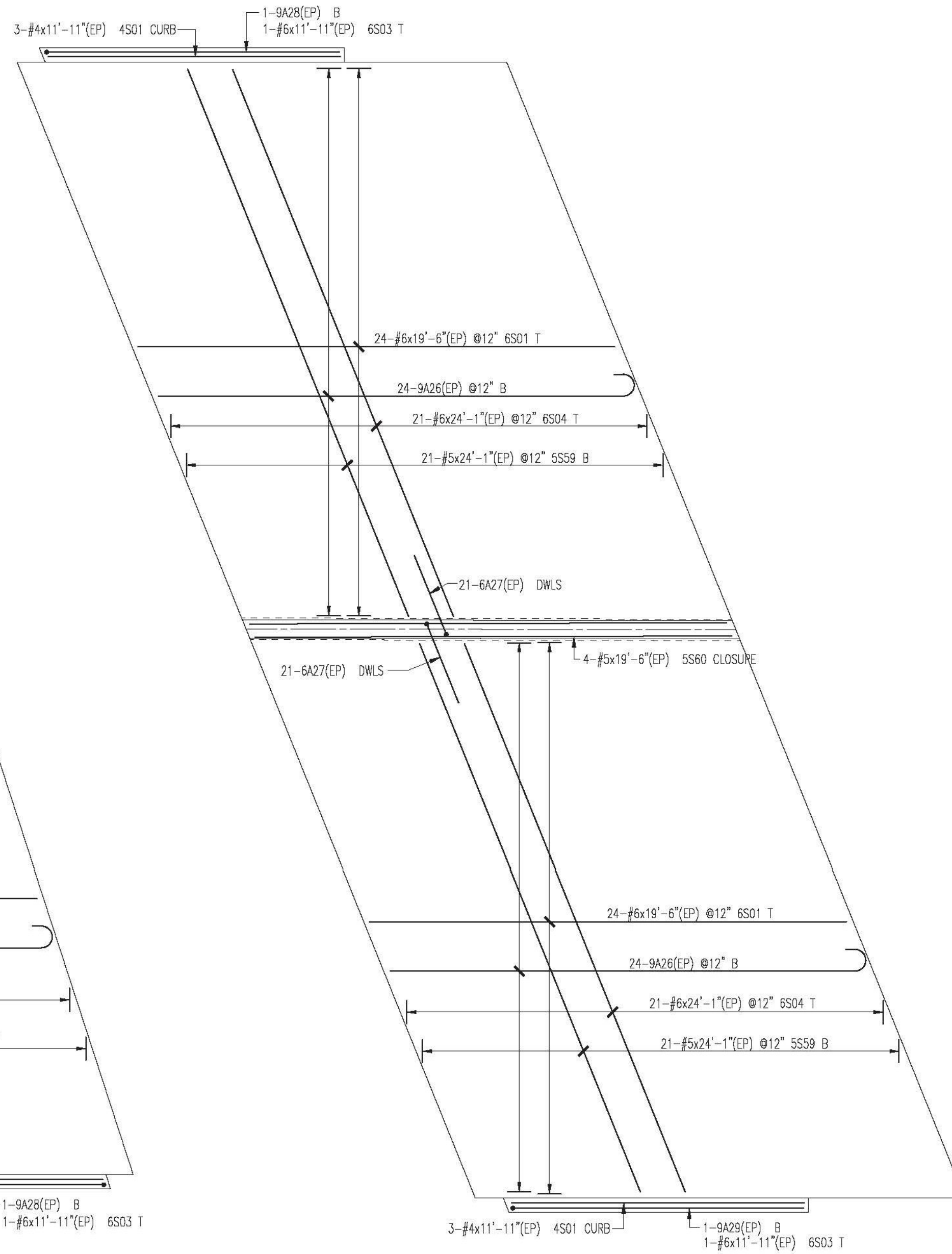
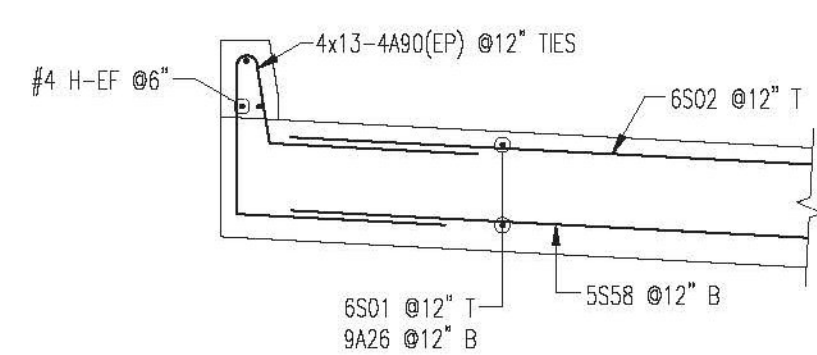


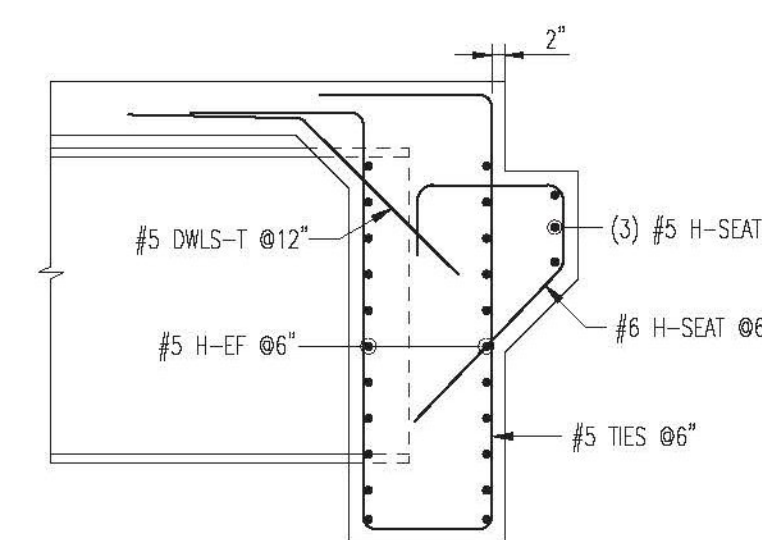
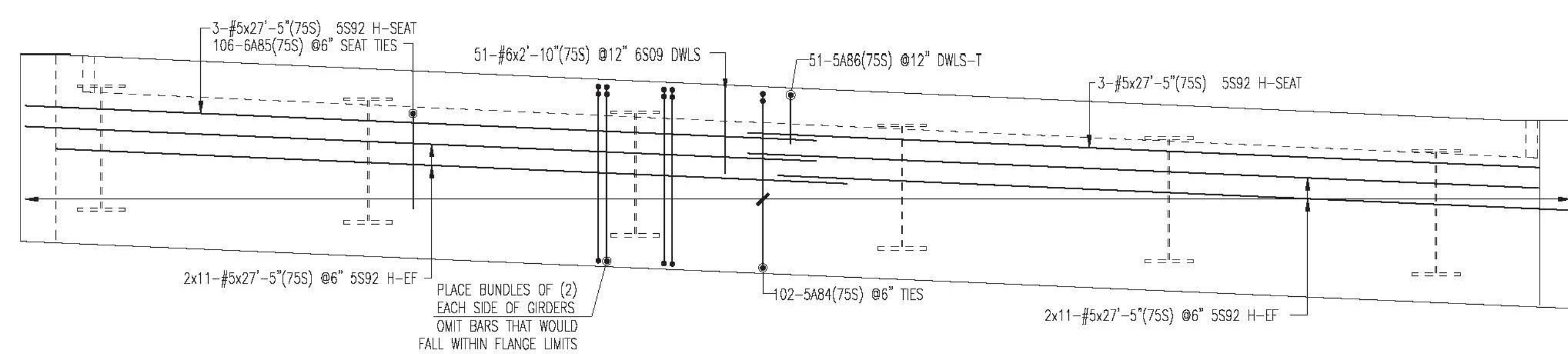
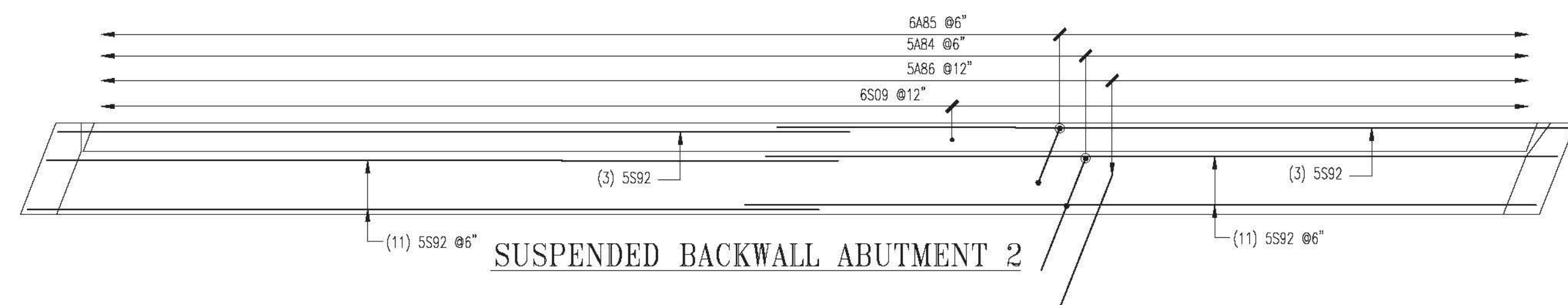
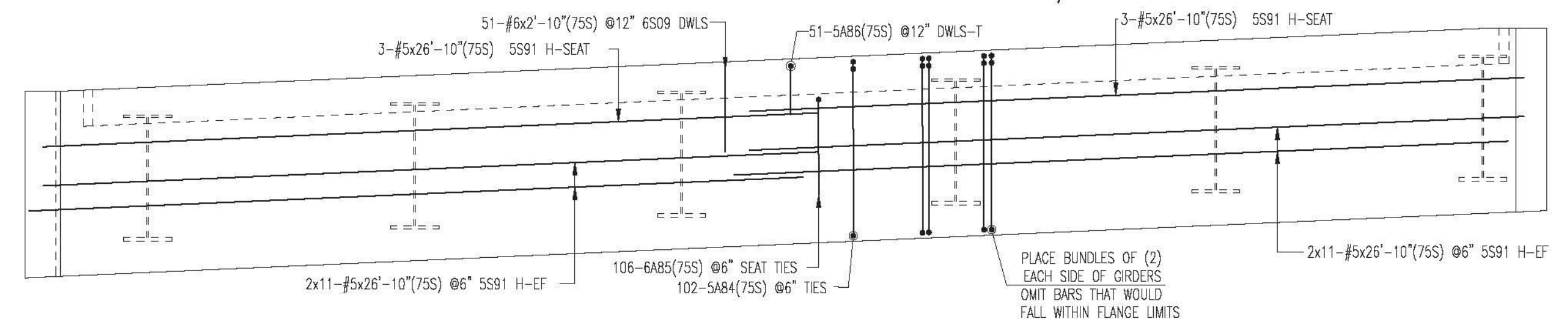
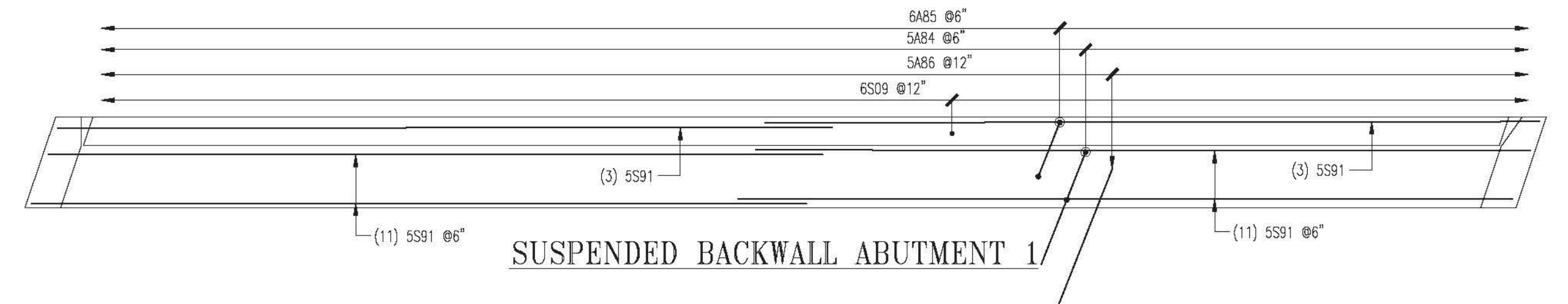
ABUTMENT 1 APPROACH SLAB



ABUTMENT 2 APPROACH SLAB



TYPICAL APPROACH SLAB @ CURB



TYPICAL SUSPENDED BACKWALL SECTION

ALL MATERIAL NOTED AS (75S) SHALL BE "ASTM A955" STAINLESS STEEL

ALL MATERIAL NOTED AS "EP" SHALL BE ASTM A1055 GRADE 60 "DUAL COATED"

SEE SHEET R065 FOR BAR LISTS  
3" CLR COVER U.N.O.

LAP CHART-U.N.O.

|     |     |     |
|-----|-----|-----|
| #11 |     |     |
| #10 |     |     |
| #9  |     |     |
| #8  | 54" | 54" |
| #7  | 41" | 41" |
| #6  | 31" | 31" |
| #5  | 28" | 28" |
| #4  |     |     |
| #3  |     |     |

SIZE TOP BARS \* OTHER BARS  
\* Top bars are horiz. bars with more than 12" of concrete cast below the bars.

Vermont Agency of Transportation  
**RECEIVED**  
CK'D BY RK/GL OK'D BY WL  
March 9, 2015  
RESUBMIT NO Approved  
BY KH DATE 3-12-2015

| 2  | FINAL APPROVAL PRINT | 03/09/15                                | CPS      |          |
|--|----------------------|---|----------|----------|
| 1  | APPROVAL PRINT       | 02/13/15                                | CPS      |          |
| No.  | Description          | Date                                    | By       |          |
| Revisions and Issue Record   |                      |   |          |          |
| The full intent and purpose of this drawing is the placing of reinforcing steel bars ONLY. It is NOT to be used as a means of communication between the Architect, Engineer, Contractor or any other Sub-trades. |                      |   |          |          |
| THIS DRAWING IS NOT TO BE SCALED.  |                      |   |          |          |
|  |                      | DETAILED AT:<br>CANAAH<br>NEW HAMPSHIRE |          |          |
| Project: BRIDGE 43 S REPLACEMENT<br>I-91 HARTFORD VT   |                      |   |          |          |
| Drawing: I-91 SOUTHBOUND APPROACH SLABS<br>AND SUSPENDED BACKWALLS   |                      |   |          |          |
| Customer: PCL CIVIL CONSTRUCTORS   |                      |   |          |          |
| Engineer: G LAROCHE  |                      |   |          |          |
| Refer to Release:  |                      |   |          |          |
| Date   | Drawn                | Chkd.                                   | JOB No.  | Dwg. No. |
| 02/09/15   | CPS                  |   | 33505535 | R05S     |

W:\sample\Projects\33505535\Placing Drawings\DWGs\R015.dwg