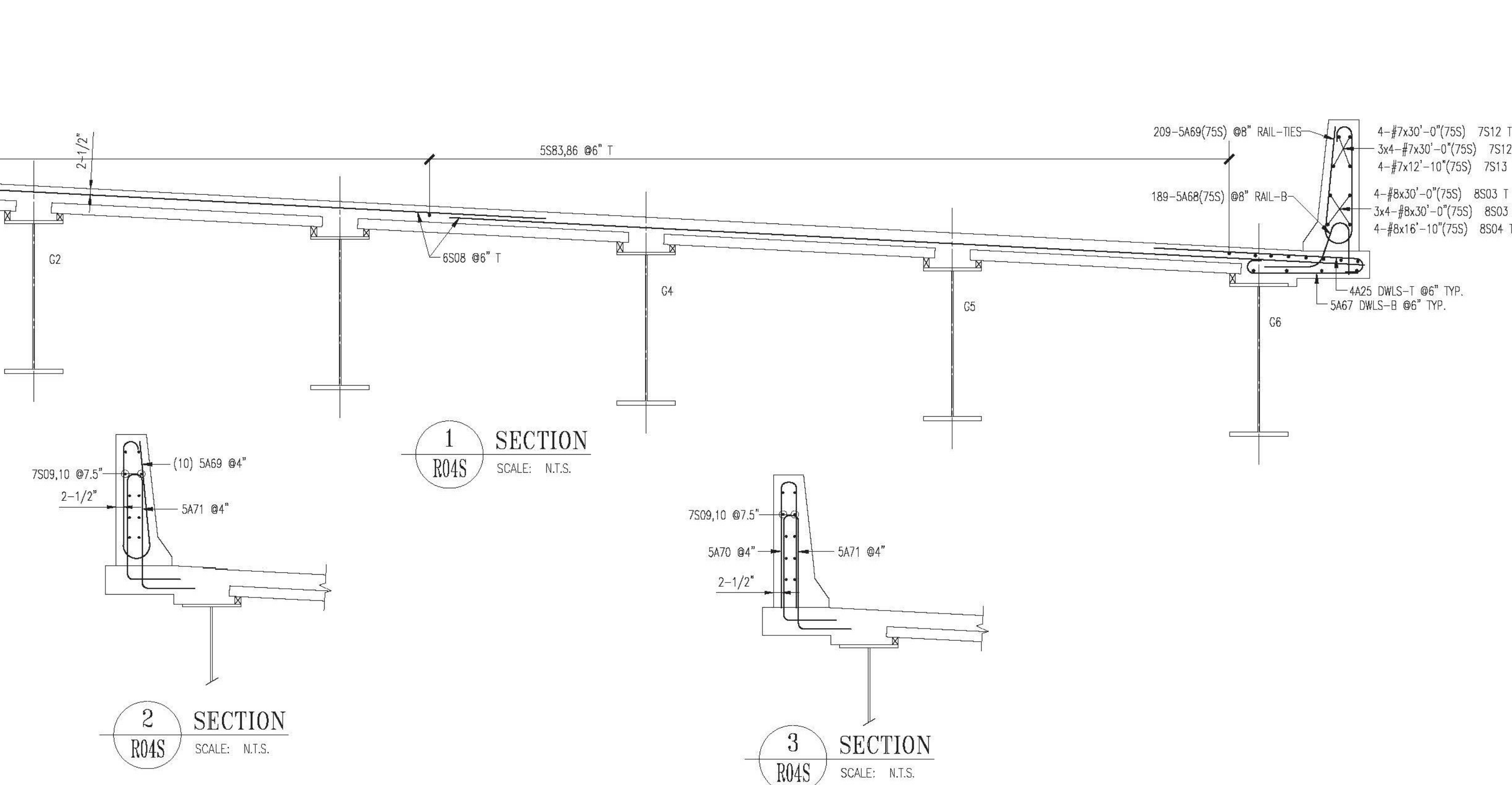
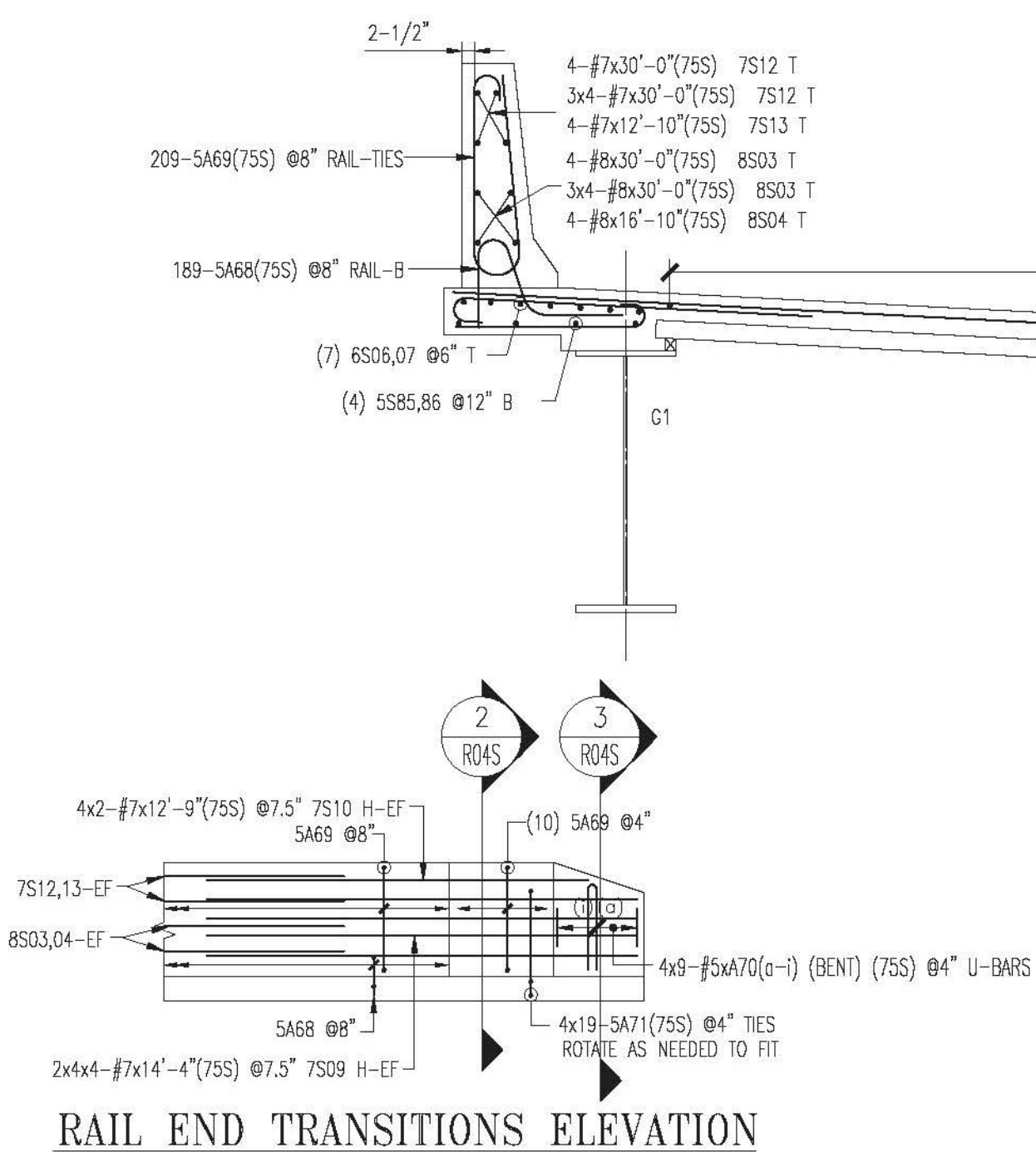


BRIDGE 43S DECK REINFORCEMENT



LAP CHART-U.N.O.

#	SIZE	TOP BARS	OTHER BARS
#11			
#10			
#9			
#8	54"	54"	
#7	41"	41"	
#6	31"	31"	
#5	28"	28"	
#4			
#3			

SEE SHEET R06S FOR BAR LISTS
3" CLR COVER U.N.O.

ALL MATERIAL ON THIS DRAWING NOTED AS (75S) SHALL BE ASTM "ASTM A955" STAINLESS STEEL

SIZE: TOP BARS * OTHER BARS
* -Top bars are horiz. bars with more than 12" of concrete cast below the bars.

ALL MATERIAL ON THIS DRAWING NOTED AS (75S) SHALL BE ASTM "ASTM A955" STAINLESS STEEL

No.	Description	Date	By
2	FINAL APPROVAL PRINT	03/09/15	CPS
1	APPROVAL PRINT	02/13/15	CPS

Revisions and Issue Record

The full intent and purpose of this drawing is the placing of reinforcing steel bars ONLY. It is NOT to be used as a means of communication between the Architect, Engineer, Contractor or any other Sub-trades.

THIS DRAWING IS NOT TO BE SCALED.

HarrisRebar
National Strength. Local Service.

DETAILED AT:
CANAM
NEW HAMPSHIRE

Project: BRIDGE 43 S REPLACEMENT
I-91 HARTFORD VT

Drawing: I-91 SOUTHBOUND
DECK REINFORCEMENT

Customer: PCL CIVIL CONSTRUCTORS

Engineer: G LAROCHE

Refer to Release:

Date	Drawn	Chkd.	JOB No.	Dwg. No.
02/09/15	CPS		33505535	R04S

Vermont Agency of Transportation
RECEIVED
CK'D BY RK/GL OK'D BY WL
March 9, 2015
RESUBMIT NO Approved
BY KH DATE 3-12-2015