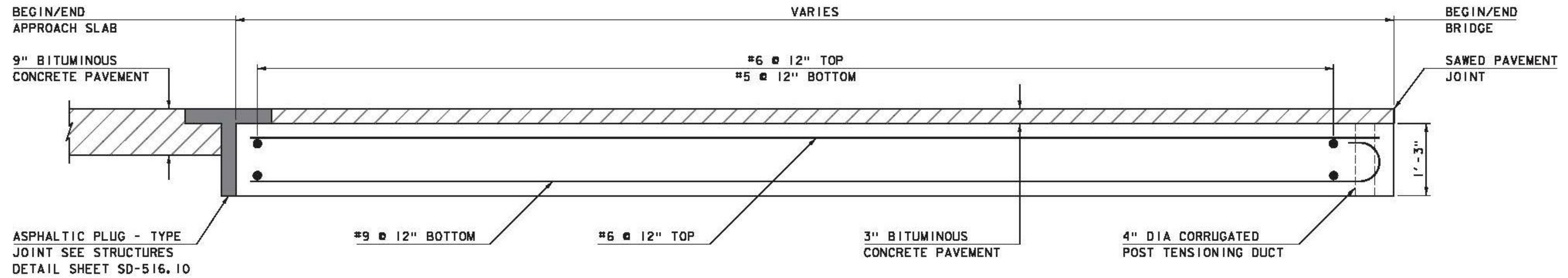
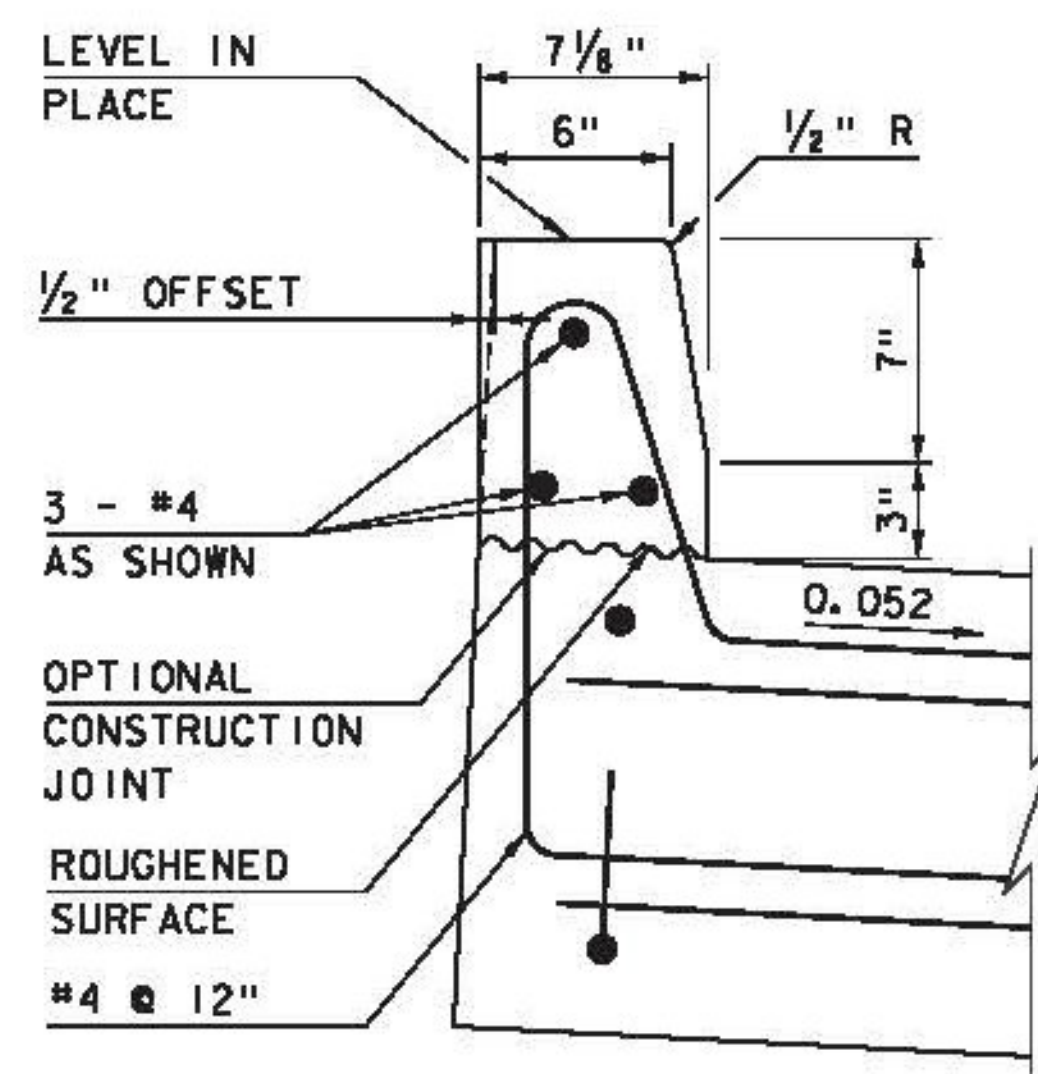


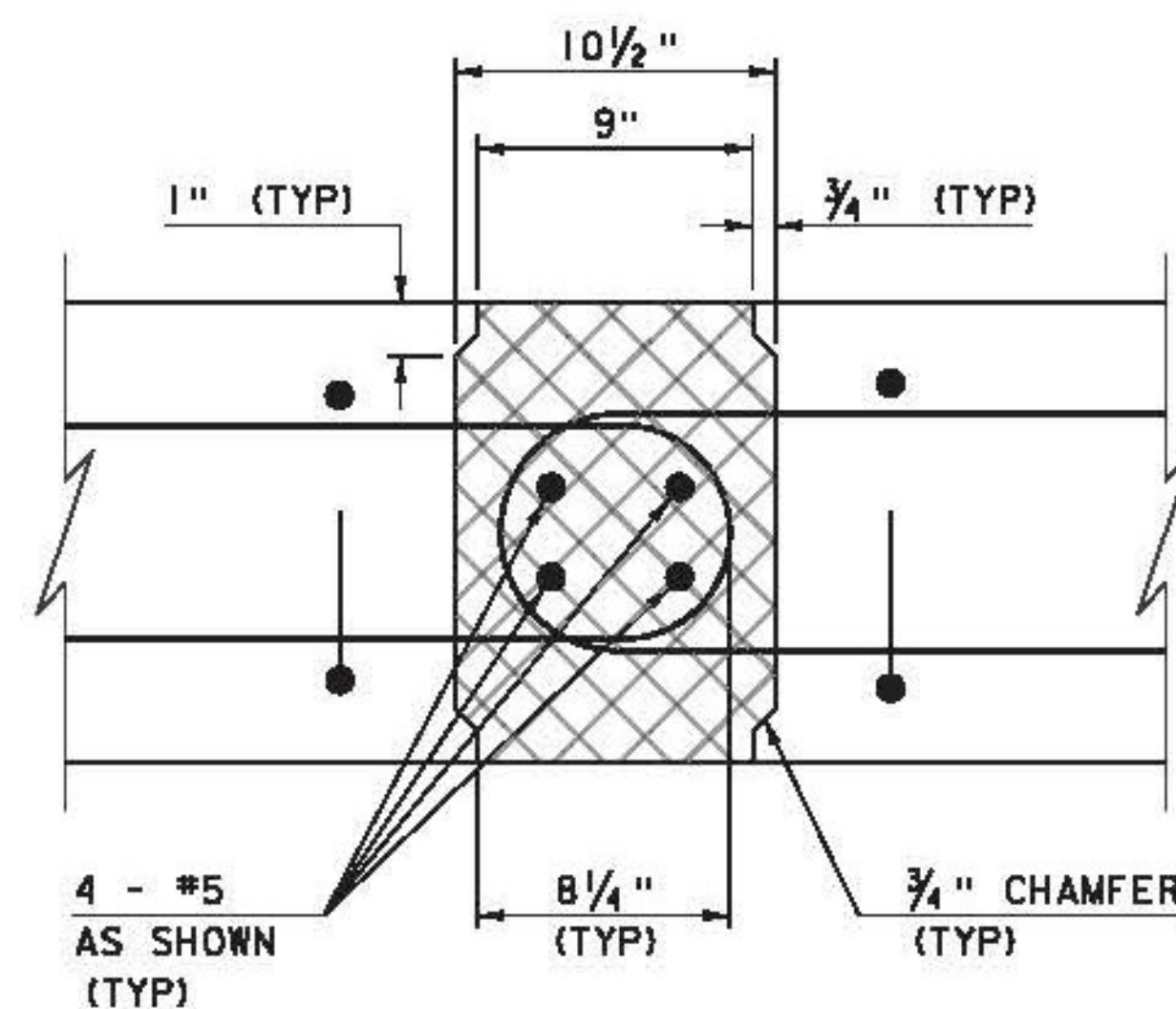
**SECTION A-A**  
SCALE 1" = 1'-0"



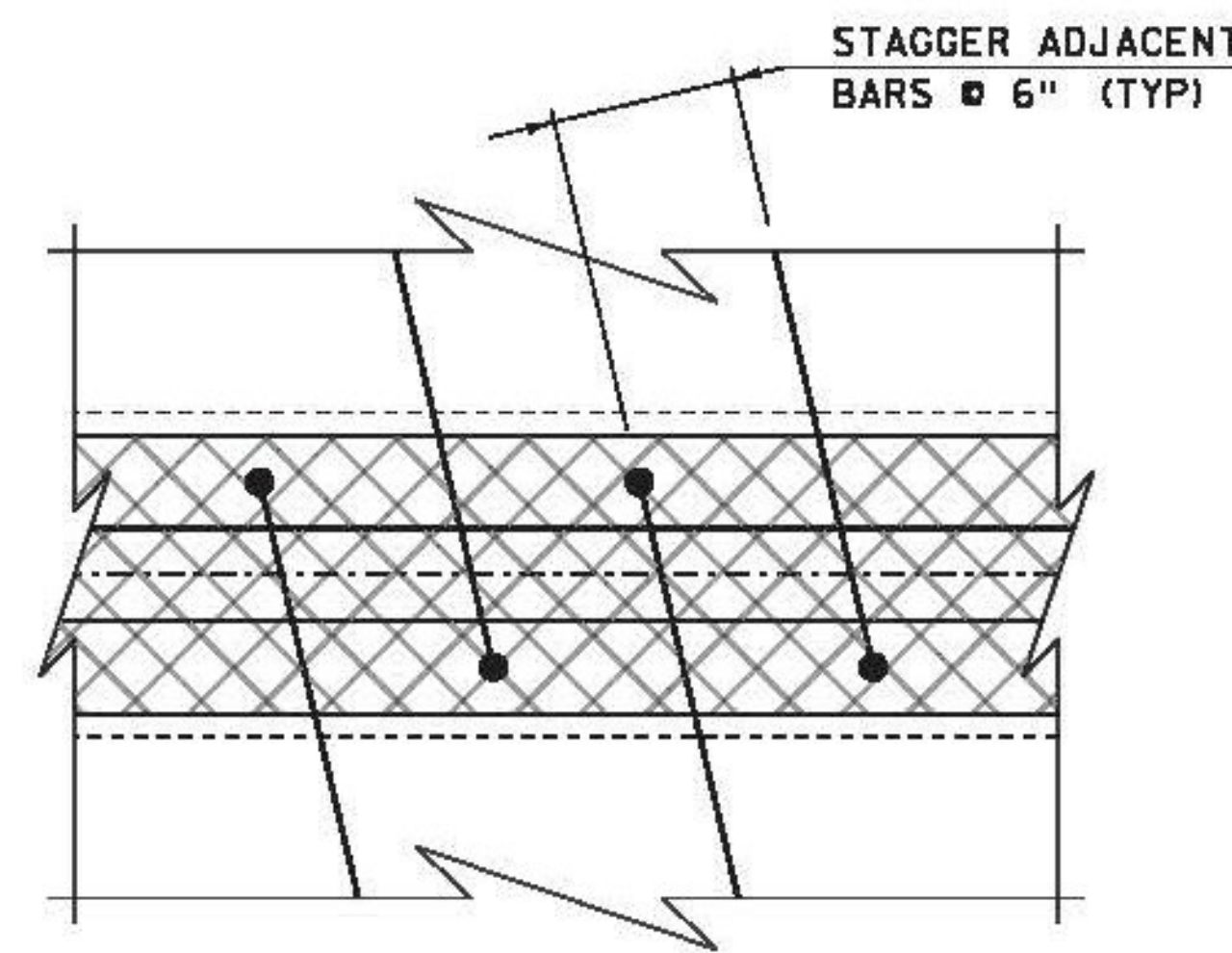
**SECTION B-B**  
SCALE 1" = 1'-0"



**CURB DETAIL**  
SCALE 2" = 1'-0"



**JOINT DETAIL SECTION**  
SCALE 2" = 1'-0"



**JOINT DETAIL PLAN**  
SCALE 2" = 1'-0"

**NOTE:**

NF = NEAR FACE  
FF = FAR FACE  
EF = EACH FACE  
▲ = CUT TO FIT IN FIELD  
3" CLEAR, UNLESS OTHERWISE SPECIFIED ON THE PLANS.  
2'-2" BAR LAP UNLESS OTHERWISE SPECIFIED ON THE PLANS.

**NOTES:**

1) ALL APPROACH SLAB REINFORCING STEEL SHALL BE LEVEL II OR HIGHER.

PROJECT NAME: HARTFORD  
PROJECT NUMBER: IM 091-2(79)

FILE NAME: s12a132apslabs\_43S.dgn  
PROJECT LEADER: K. HIGGINS  
DESIGNED BY: G. LAROCHE  
APPROACH SLAB DETAILS

PLOT DATE: 15-DEC-2014  
DRAWN BY: K. FRIEDLAND  
CHECKED BY: W. LAMMER  
SHEET 99 OF 166