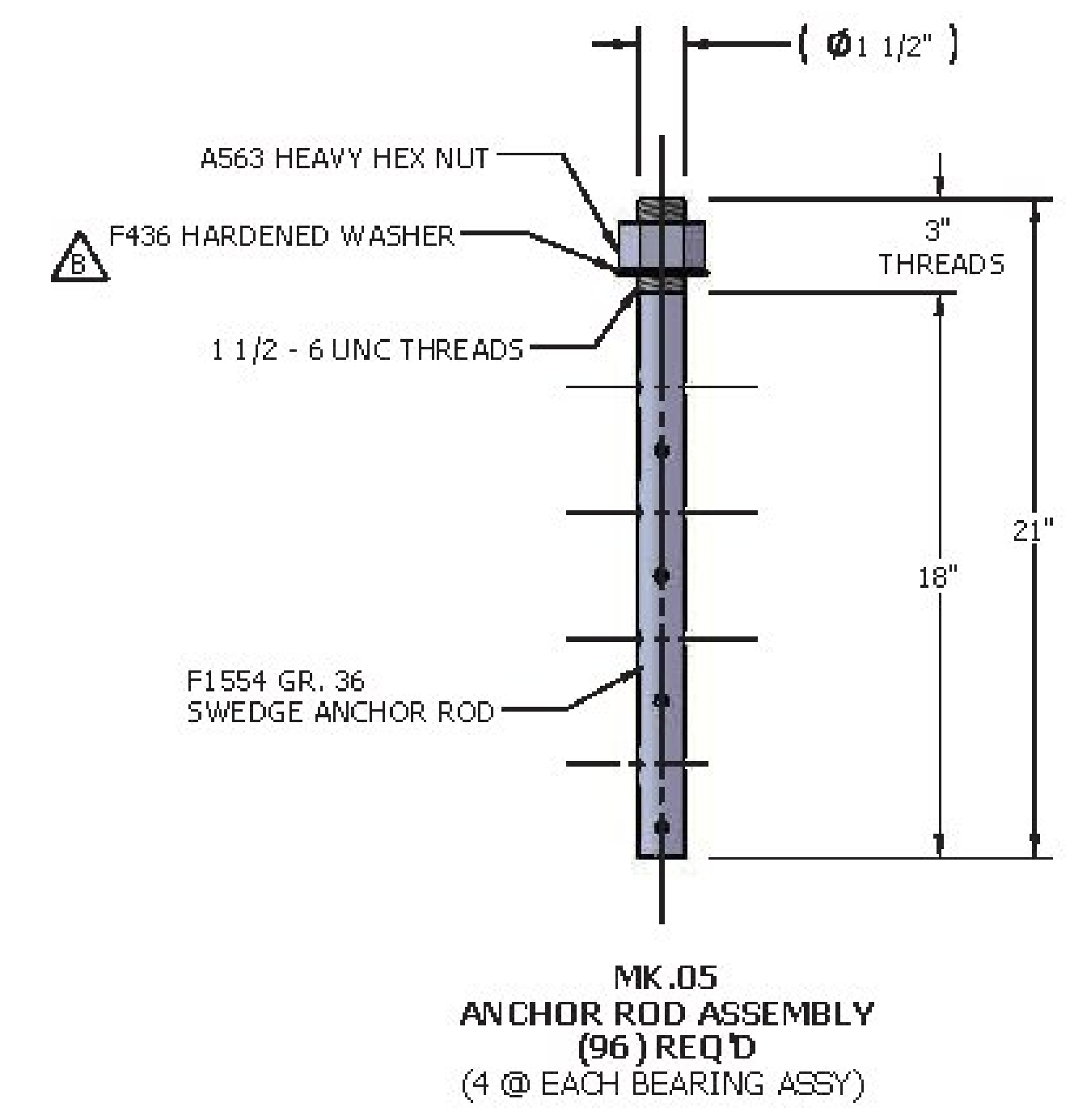
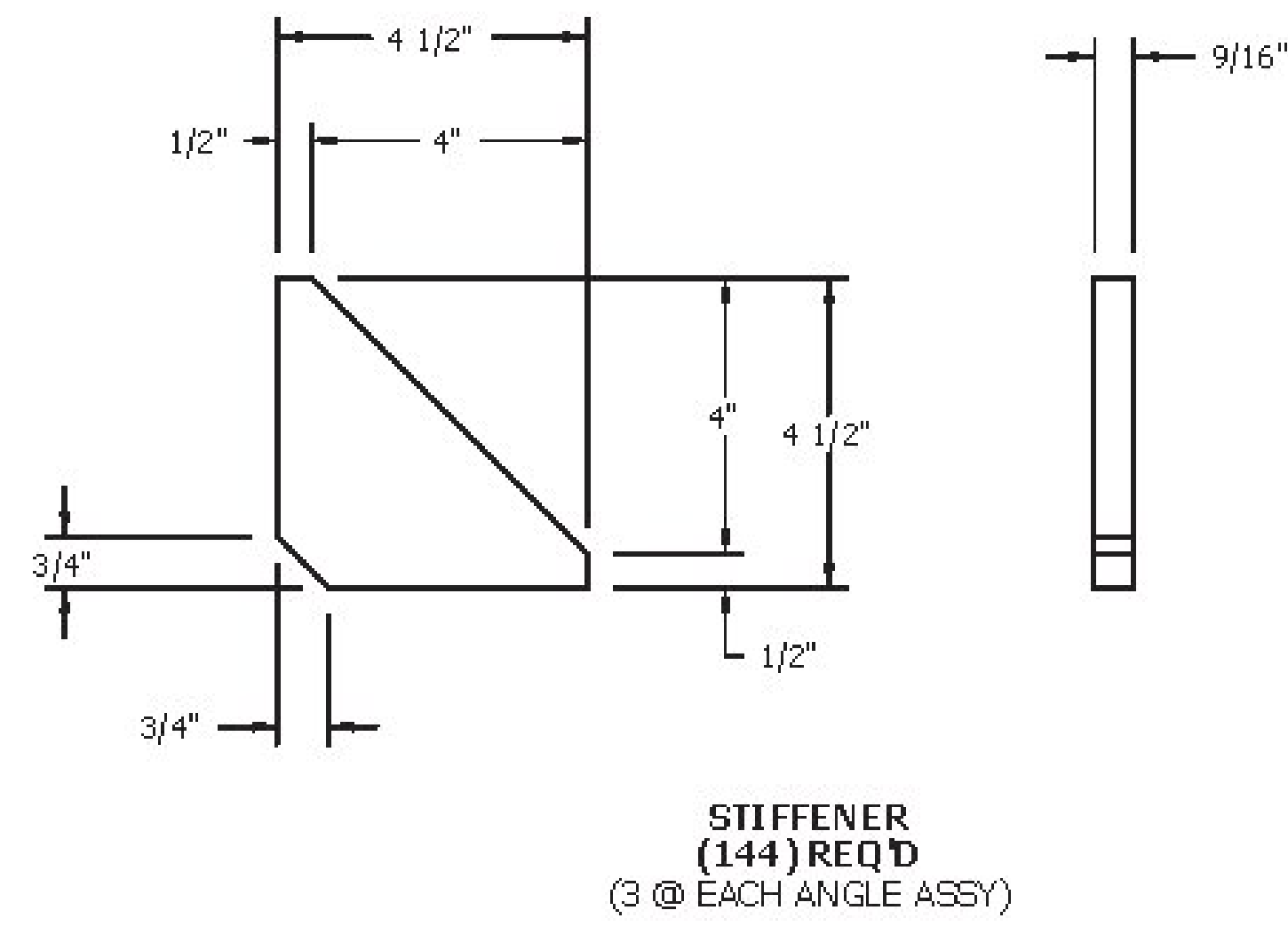
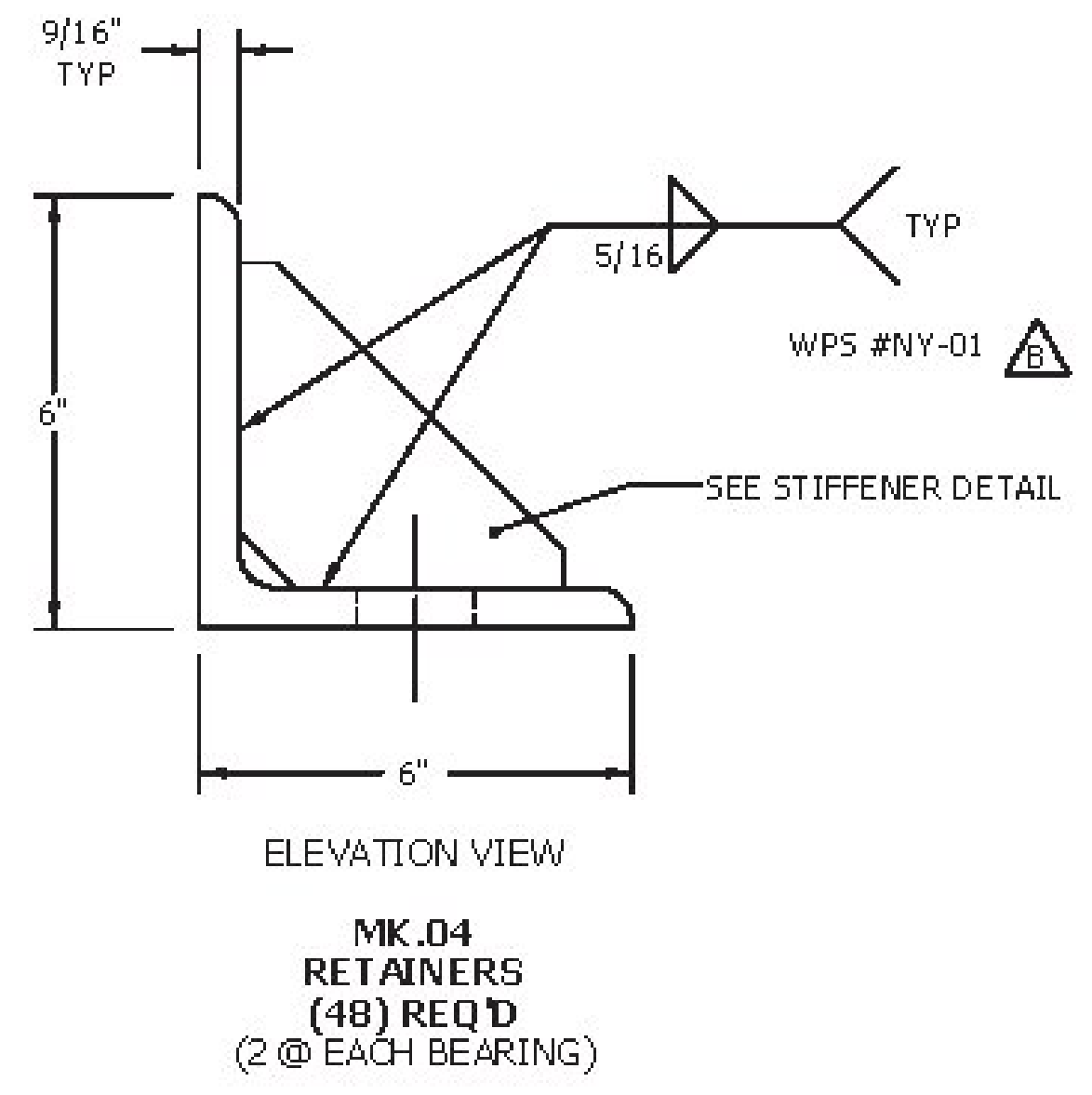
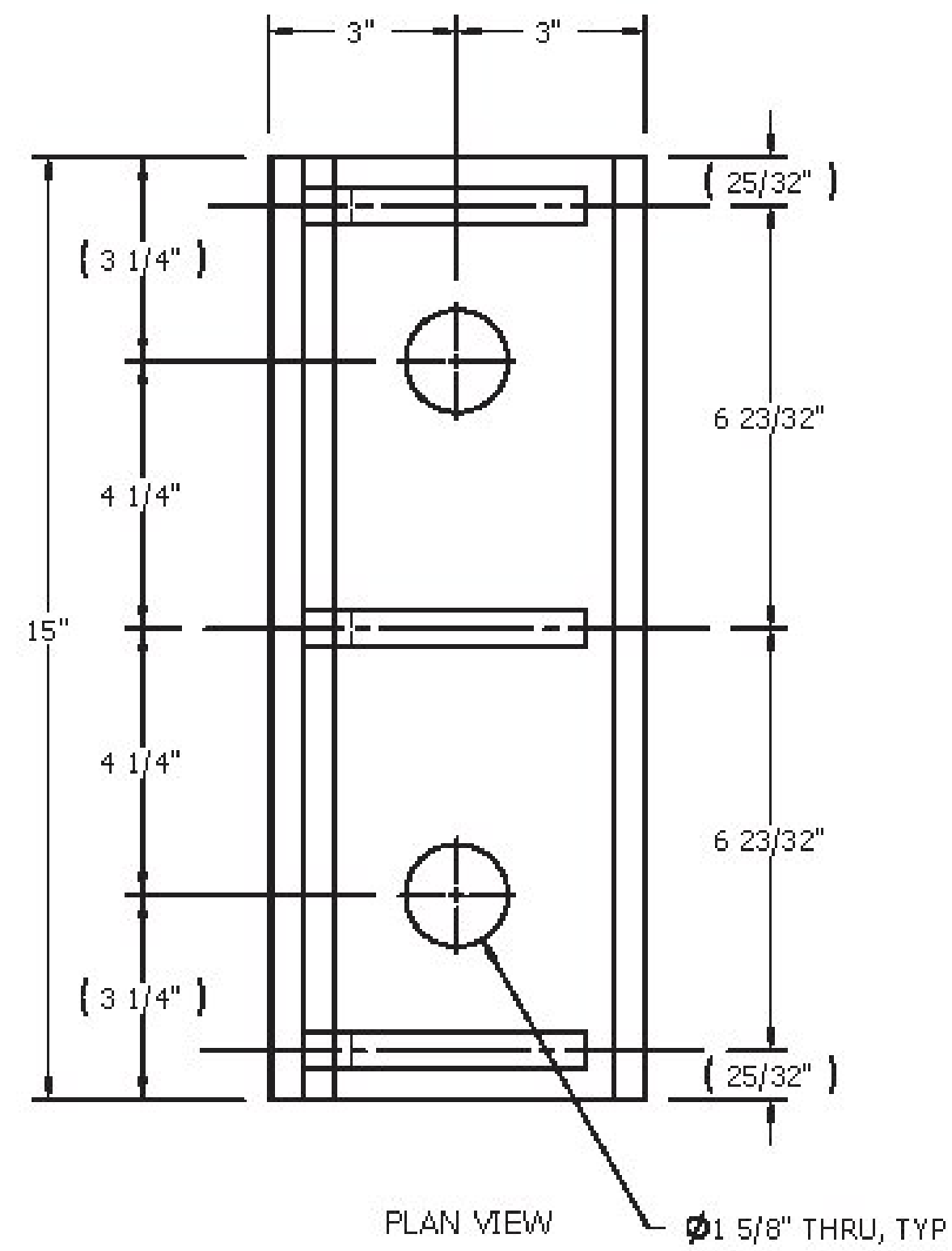


REVISIONS			
REV.	DESCRIPTION	BY	DATE
A	SUBMITTAL	MS	2/10/2015
B	CHANGES PER MARK-UPS DATED 2/13/15	AL	3/2/2015



Vermont Agency of Transportation
RECEIVED
 CK'D BY JC/RK OK'D BY WIL
 March 2, 2015
 RESUBMIT NO Approved
 BY KH DATE 3-6-2015

PROJECT NO.	IM 091-2(79)
BRIDGE NO.	48 N/S
COUNTY	WINDSOR
TOWN	HARTFORD

ALL DIMENSIONS ARE IN INCHES UNLESS OTHERWISE SPECIFIED

NOTE
 INFORMATION SET FORTH IN THIS DRAWING IS PROPRIETARY WITH Seismic Energy Products, Inc. THIS DRAWING SHALL NOT BE REPRODUCED, COPIED, LOANED OR SUBMITTED TO OUTSIDE PARTIES FOR EXAMINATION WITHOUT OUR CONSENT EXCEPT FOR THE PURPOSE FOR WHICH IT WAS INTENDED.

SEP Seismic Energy Products, Inc.
 STRUCTURAL BEARINGS FOR BRIDGES & BUILDINGS
 ATHENS, TX PHONE: 903-675-8571

BEARING ASSY FOR:
 STATE OF VERMONT AGENCY OF TRANSPORTATION
 INTERSTATE 91 EXIT 11

CONTRACTOR: PCL CIVIL CONSTRUCTORS

DRAWN	ALUTTRELL	DATE	2/9/15	PO #	EM
CHECKED		DATE		SO NO. & ST.	61614 VT
REVIEWED	MSPPELLMAN	DATE	2/10/15	SHEET 5 OF 5	