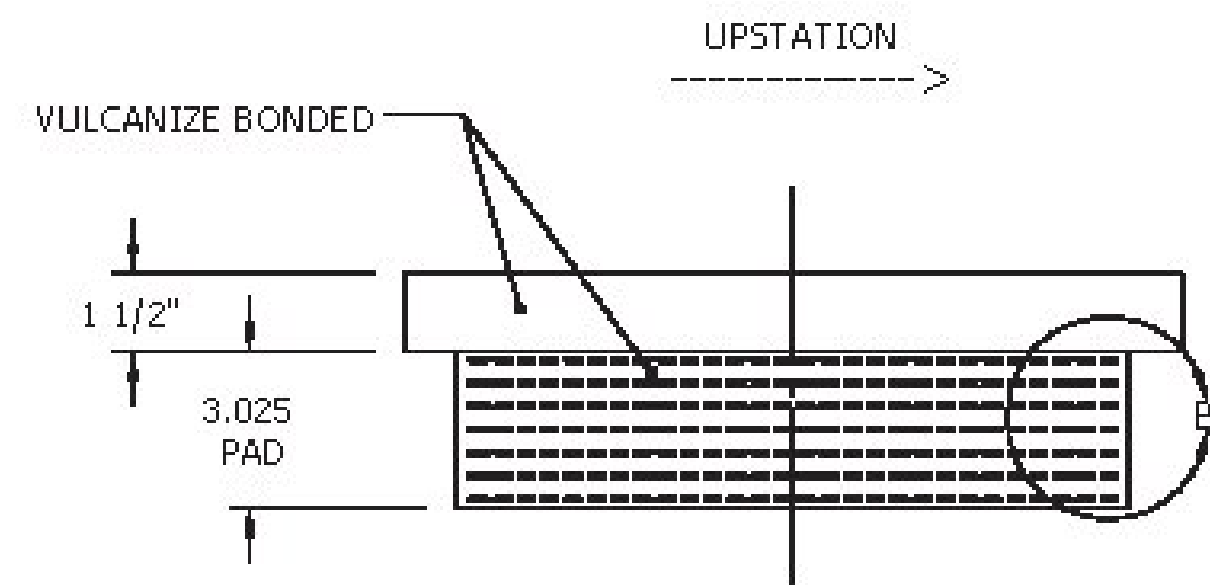
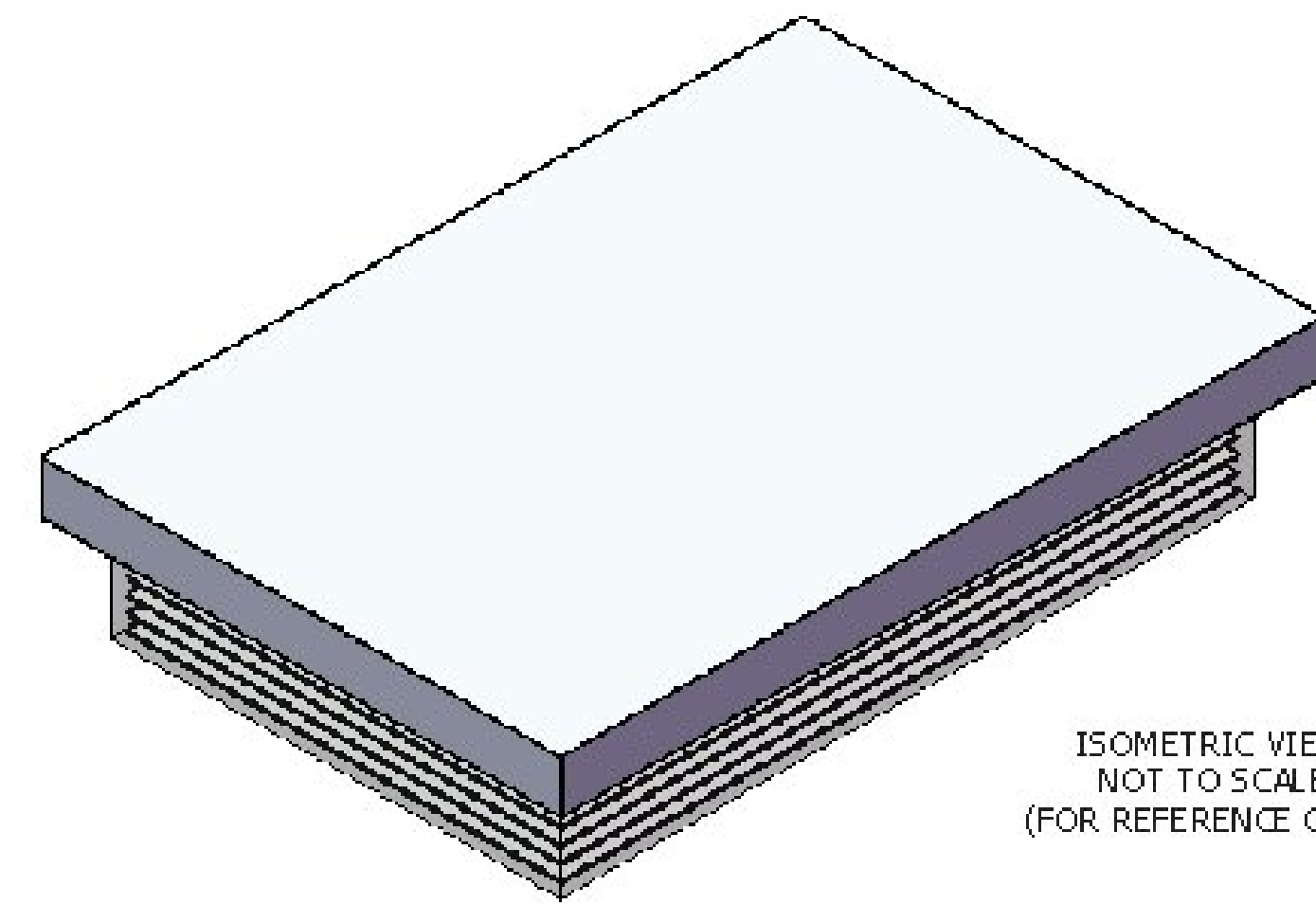


PLAN VIEW

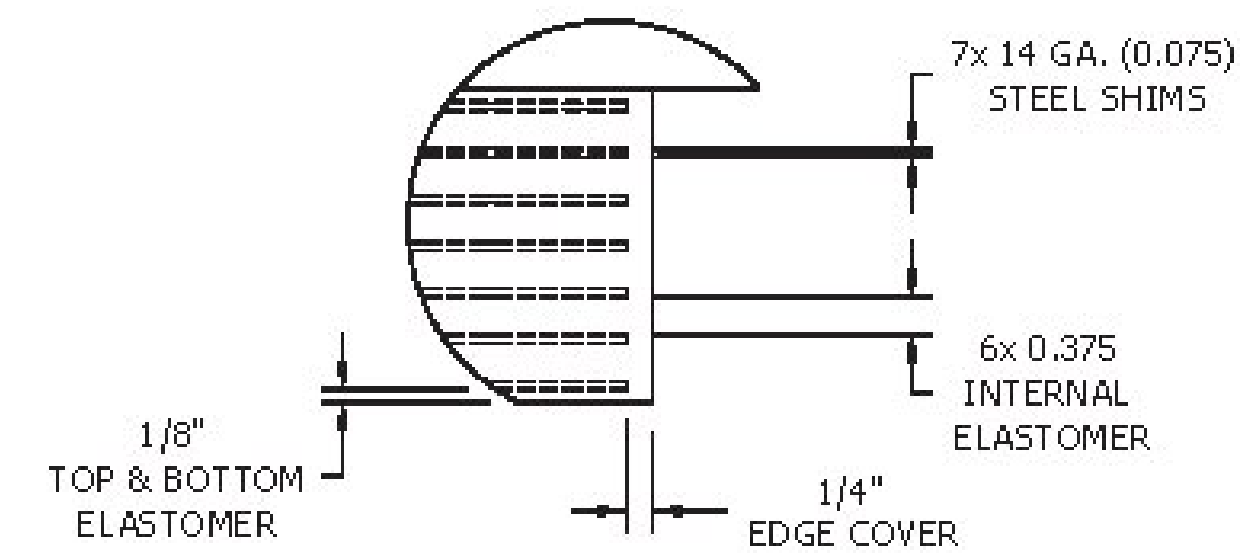


ELEVATION VIEW

MK.02
BEARING PADS
@ ABUT 3
(6) REQ'D



ISOMETRIC VIEW
NOT TO SCALE
(FOR REFERENCE ONLY)



DETAIL B

REVISIONS			
REV.	DESCRIPTION	BY	DATE
A	SUBMITTAL	MS	2/10/2015
B	CHANGES PER MARK-UPS DATED 2/13/15	AL	3/2/2015

Vermont Agency of Transportation
RECEIVED
CK'D BY JC/RK OK'D BY WIL
March 2, 2015
RESUBMIT NO Approved
BY KH DATE 3-5-2015

PROJECT NO. IM 091-2(79)
BRIDGE NO. 48 N/S
COUNTY WINDSOR
TOWN HARTFORD

ALL DIMENSIONS ARE IN INCHES
UNLESS OTHERWISE SPECIFIED

NOTE
INFORMATION SET FORTH IN THIS DRAWING IS
PROPRIETARY WITH Seismic Energy Products, Inc.
THIS DRAWING SHALL NOT BE REPRODUCED,
COPIED, LOANED OR SUBMITTED TO OUTSIDE
PARTIES FOR EXAMINATION WITHOUT OUR
CONSENT EXCEPT FOR THE PURPOSE FOR WHICH
IT WAS INTENDED.

Seismic Energy Products, Inc. STRUCTURAL BEARINGS FOR BRIDGES & BUILDINGS ATHENS, TX PHONE: 903-675-8571			
BEARING ASSY FOR: STATE OF VERMONT AGENCY OF TRANSPORTATION INTERSTATE 91 EXIT 11			
CONTRACTOR: PCL CIVIL CONSTRUCTORS			
DRAWN ALUTTRELL	DATE 2/9/15	PO # EM	
CHECKED	DATE	SO NO. & ST. 61614 VT	
REVIEWED MSPPELLMAN	DATE 2/10/15	SHEET 3 OF 5	