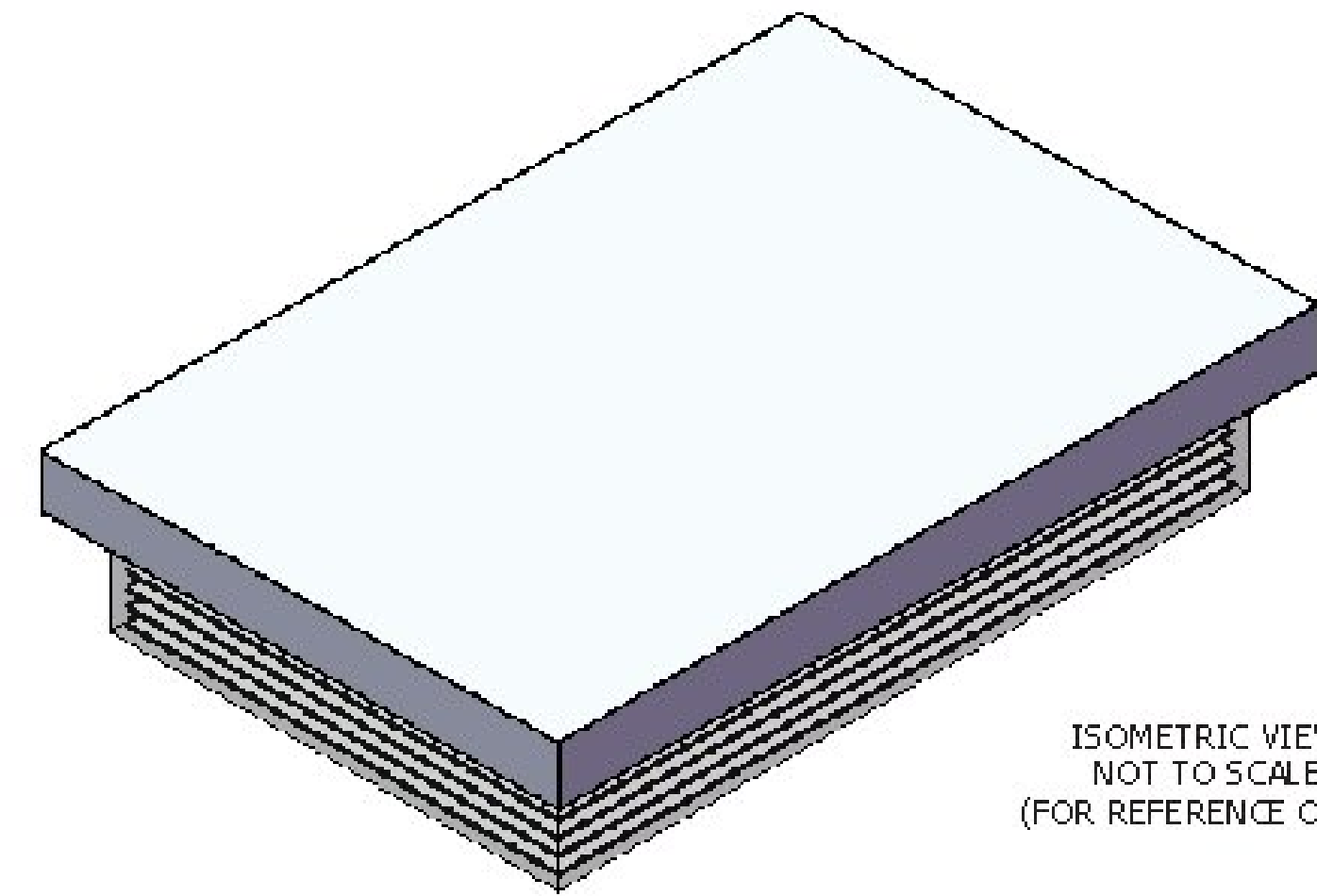
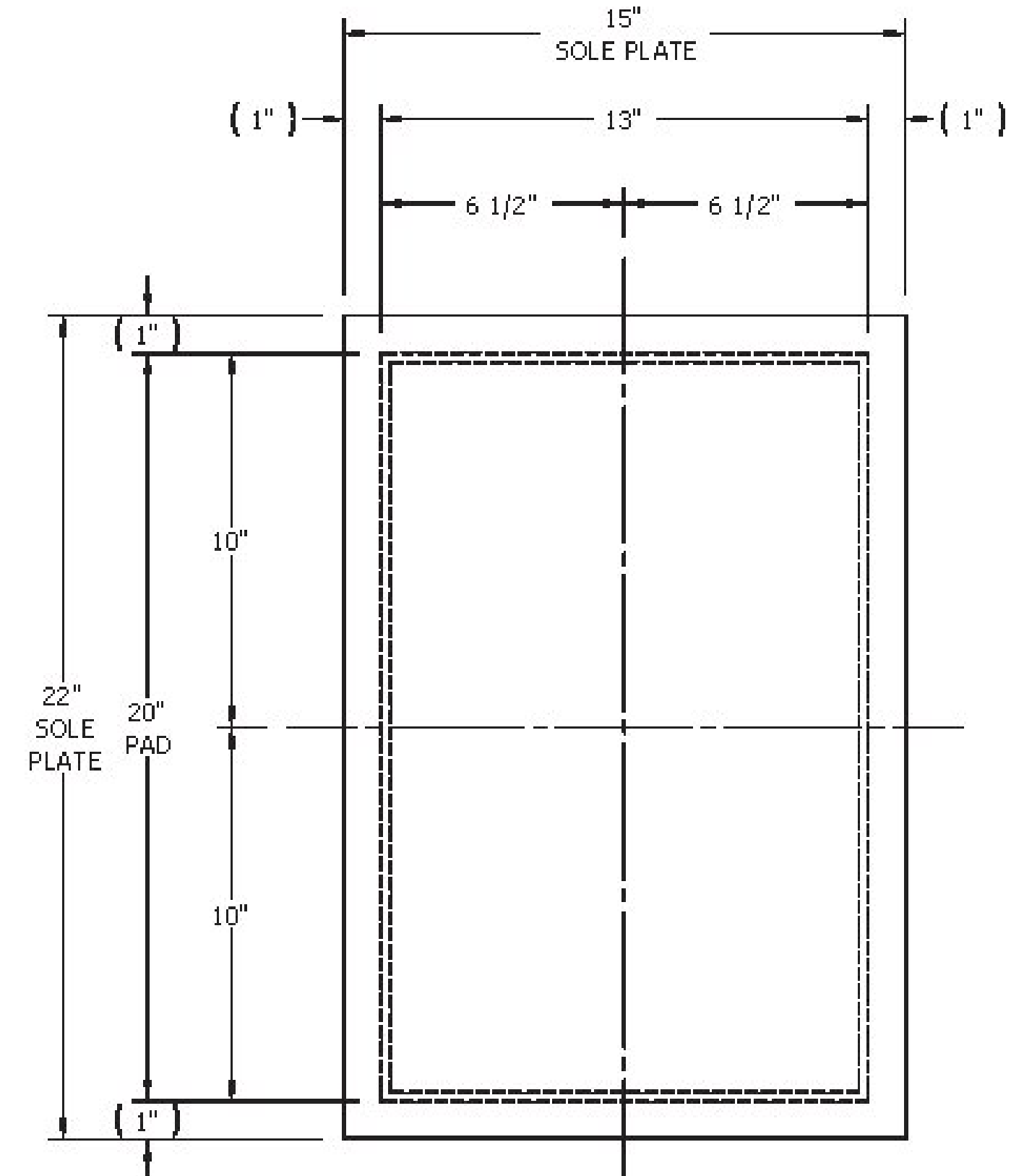
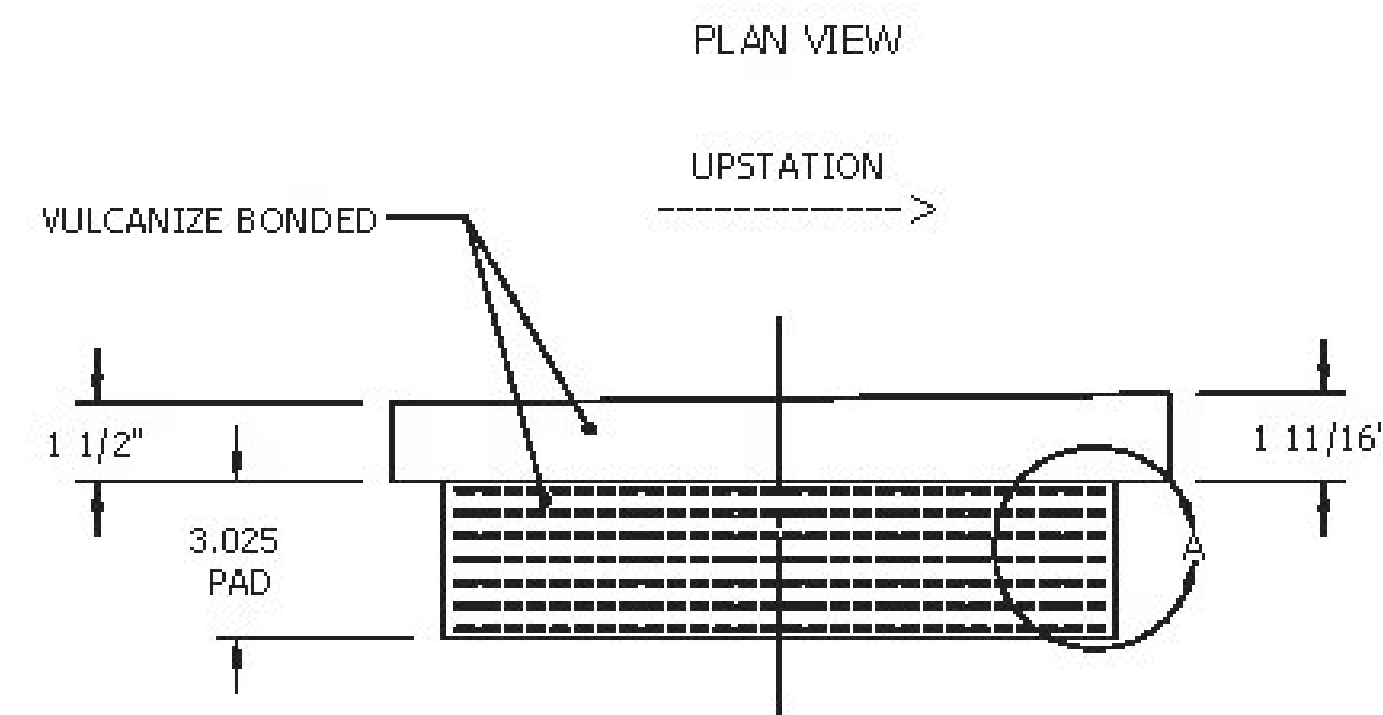


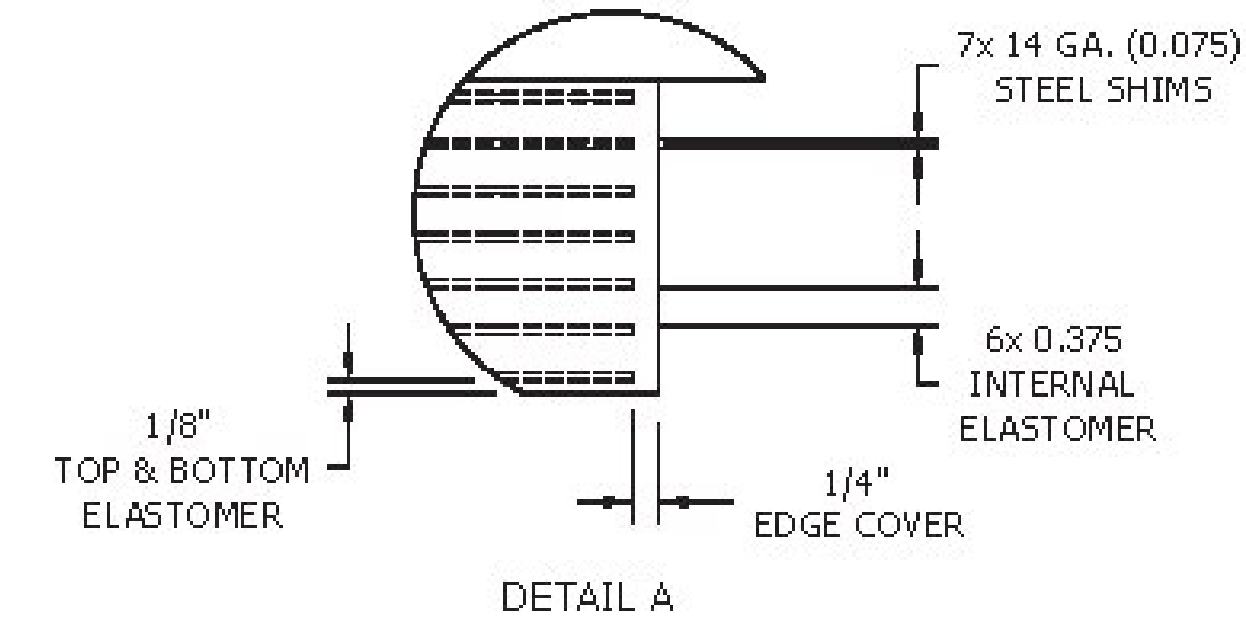
REVISIONS			
REV.	DESCRIPTION	BY	DATE
A	SUBMITTAL	MS	2/10/2015
B	CHANGES PER MARK-UPS DATED 2/13/15	AL	3/2/2015



ISOMETRIC VIEW  
NOT TO SCALE  
(FOR REFERENCE ONLY)



ELEVATION VIEW  
**MK.01  
BEARING PADS  
@ ABUTS 1 & 2  
(12) REQ'D**



DETAIL A

Vermont Agency of Transportation  
**RECEIVED**  
OK'D BY JC/RK    OK'D BY WIL  
March 2, 2015  
RESUBMIT NO    Approved  
BY KH    DATE 3-5-2015

PROJECT NO. IM 091-2(79)
BRIDGE NO. 48 N/S
COUNTY WINDSOR
TOWN HARTFORD

ALL DIMENSIONS ARE IN INCHES  
UNLESS OTHERWISE SPECIFIED

**NOTE**  
INFORMATION SET FORTH IN THIS DRAWING IS  
PROPRIETARY WITH Seismic Energy Products, Inc.  
THIS DRAWING SHALL NOT BE REPRODUCED,  
COPIED, LOANED OR SUBMITTED TO OUTSIDE  
PARTIES FOR EXAMINATION WITHOUT OUR  
CONSENT EXCEPT FOR THE PURPOSE FOR WHICH  
IT WAS INTENDED.

<b>SEP Seismic Energy Products, Inc.</b> STRUCTURAL BEARINGS FOR BRIDGES & BUILDINGS ATHENS, TX    PHONE: 903-675-8571			
BEARING ASSY FOR: STATE OF VERMONT AGENCY OF TRANSPORTATION INTERSTATE 91 EXIT 11			
CONTRACTOR: PCL CIVIL CONSTRUCTORS			
DRAWN ALUTTRELL	DATE 2/9/15	PO # EM	
CHECKED	DATE	SO NO. & ST. <b>61614 VT</b>	
REVIEWED MSPPELLMAN	DATE 2/10/15	SHEET 2 OF 5	