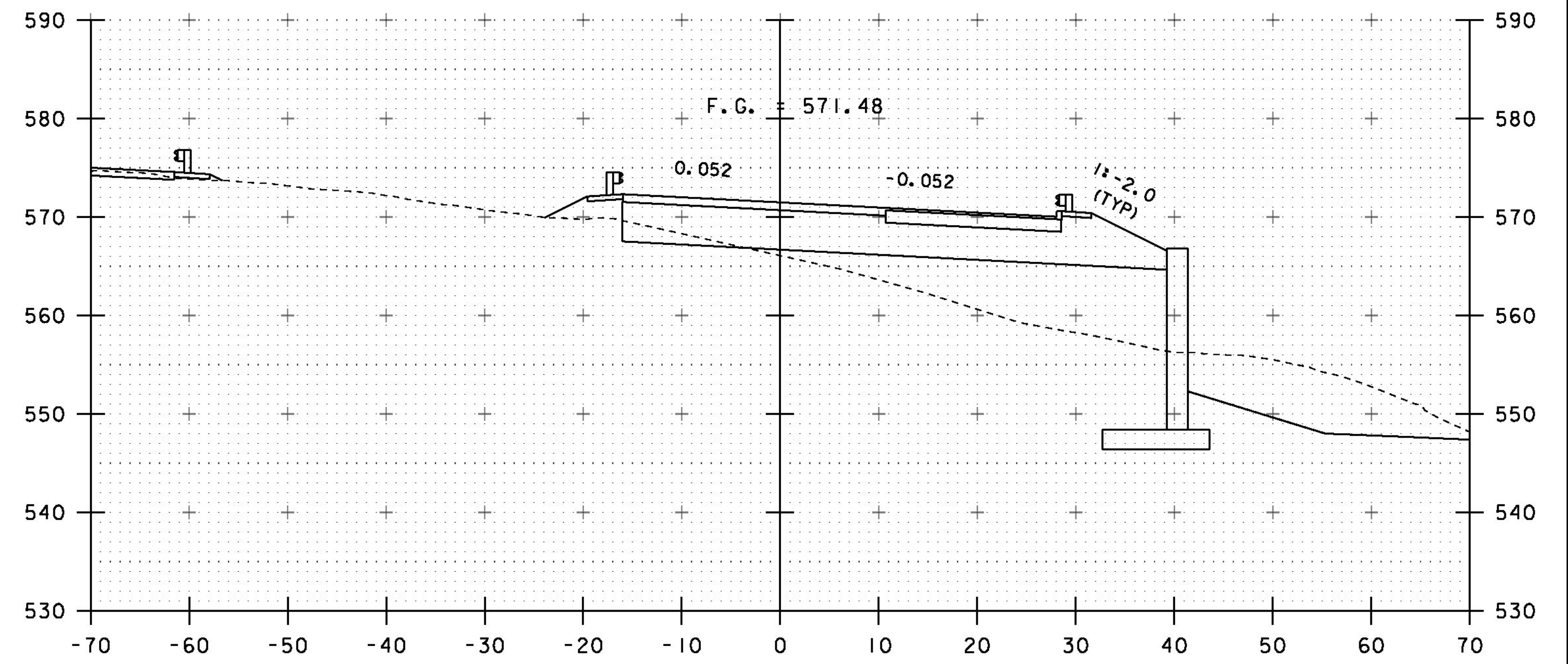
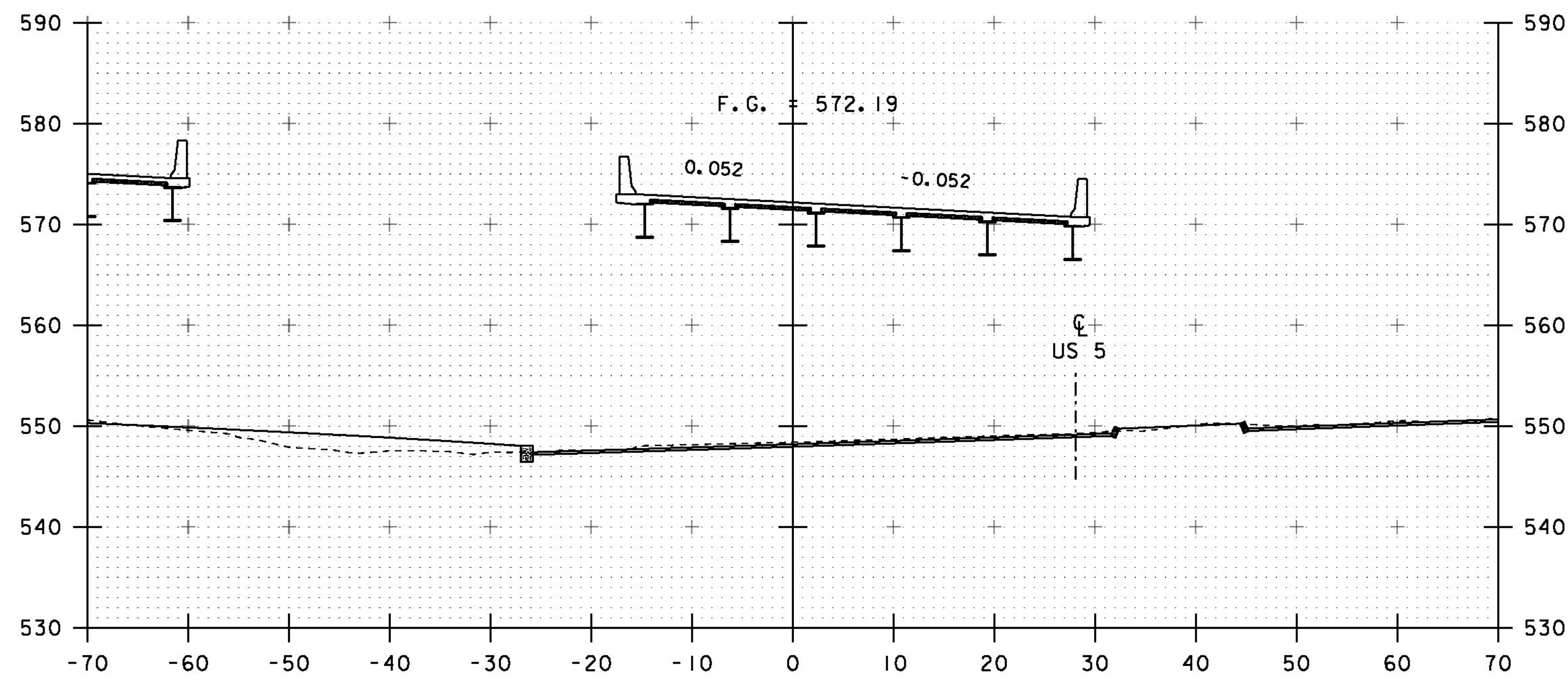


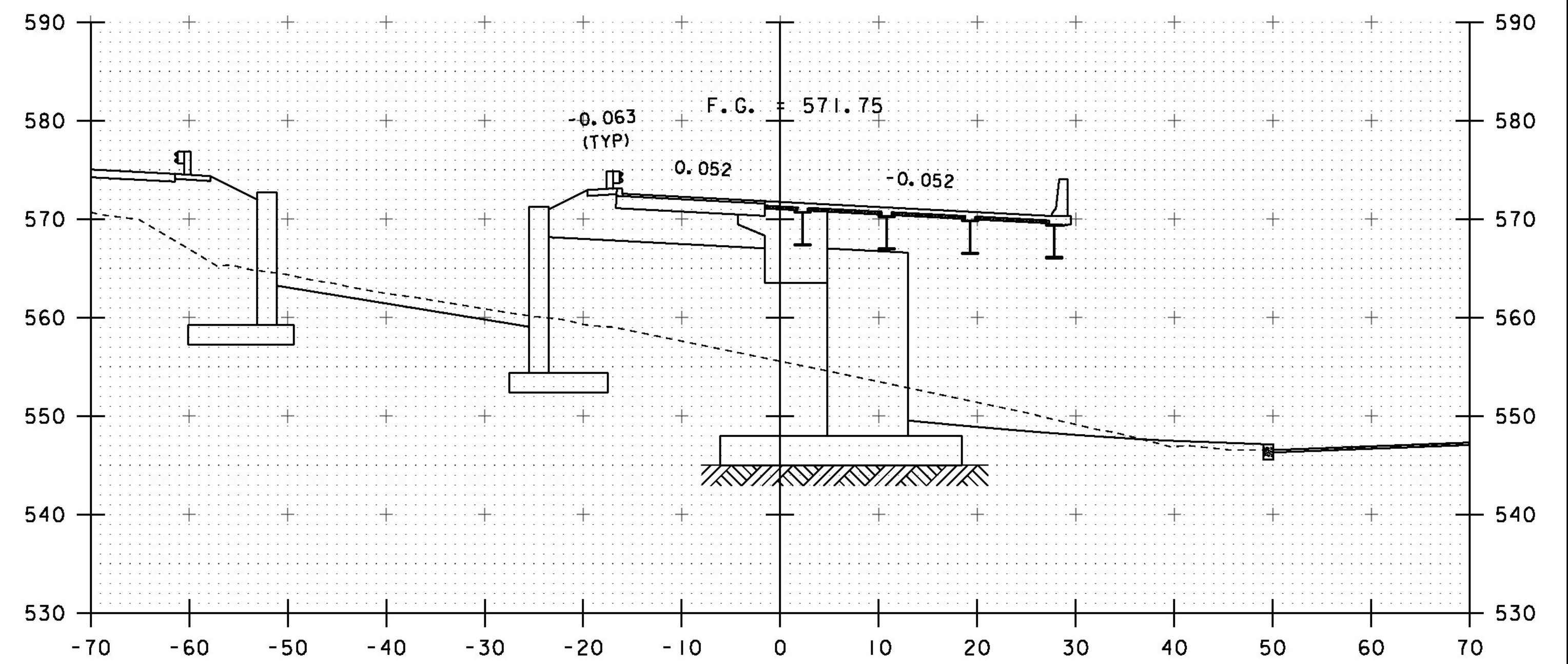
251+00



251+50



250+75



251+25
END BRIDGE 251+25.62

PROJECT NAME: HARTFORD
PROJECT NUMBER: IM 09I-2(79)

FILE NAME: s12a132xsec.dgn
PROJECT LEADER: K. HIGGINS
DESIGNED BY: G. LAROCHE
I-91 NORTHBOUND CROSS SECTIONS

PLOT DATE: 15-DEC-2014
DRAWN BY: K. FRIEDLAND
CHECKED BY: W. LAMMER
SHEET 149 OF 166

STA. 250+75 TO STA. 251+50