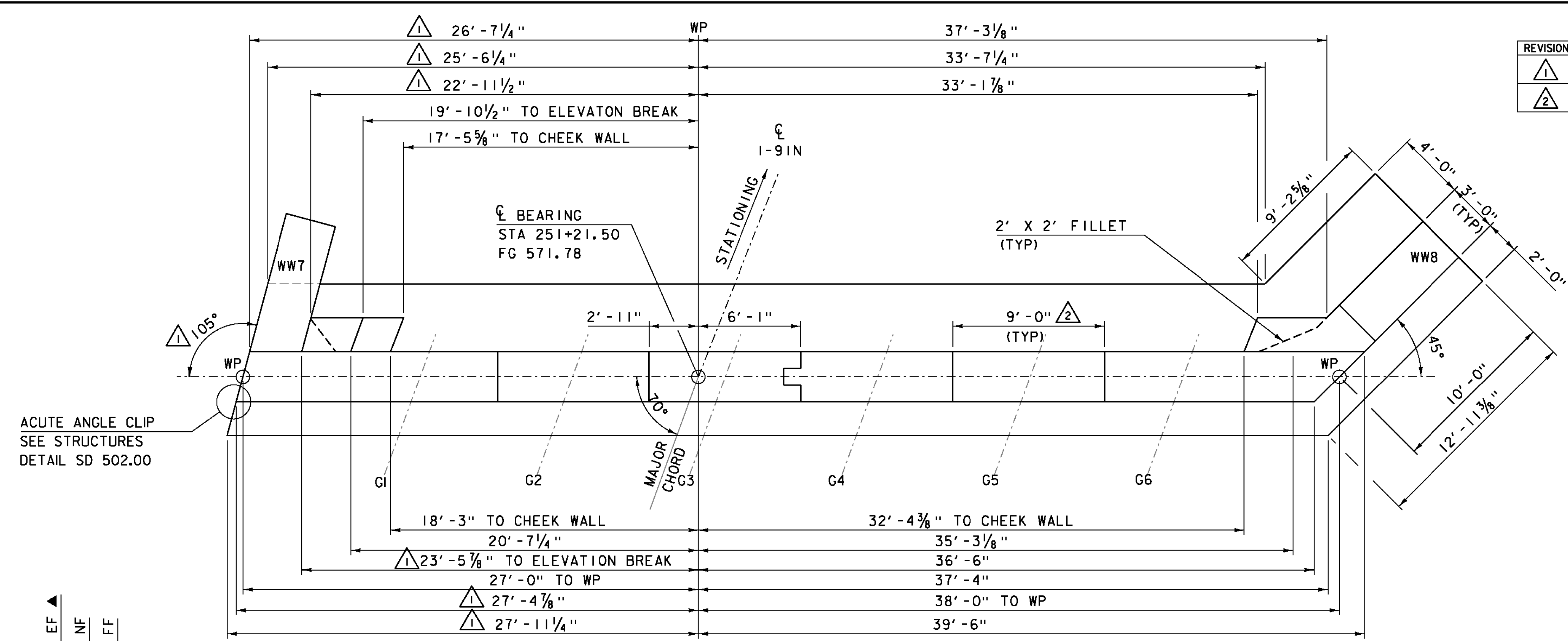


REVISION	DATE	DESCRIPTION	BY
1	04-23-2015	WINGWALL 7 ROTATED 5 DEGREES	JS
2	05-04-2015	ADDED OR REVISED DIMENSIONS	JS

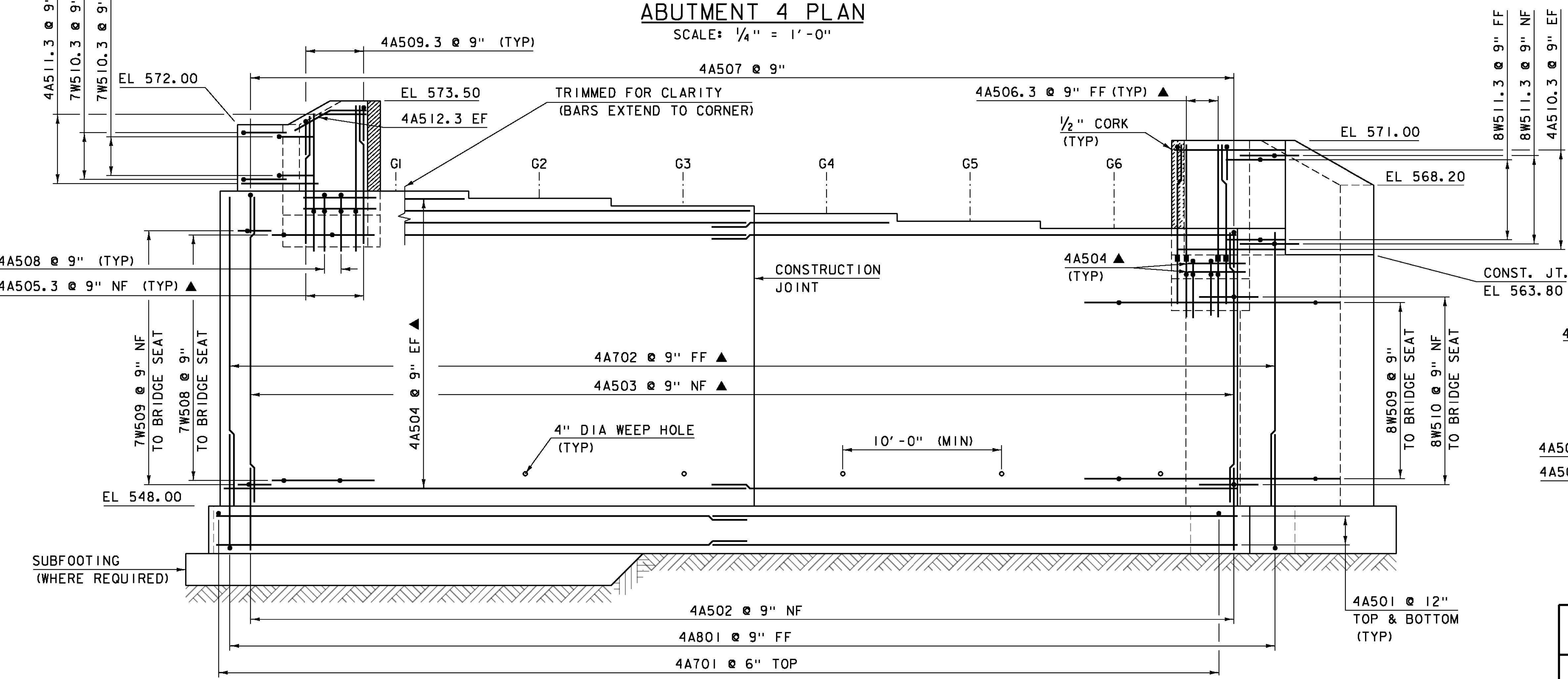
BRIDGE SEAT ELEVATIONS

GIRDER	ELEVATION
G1	567.81
G2	567.35
G3	566.88
G4	566.40
G5	565.93
G6	565.47

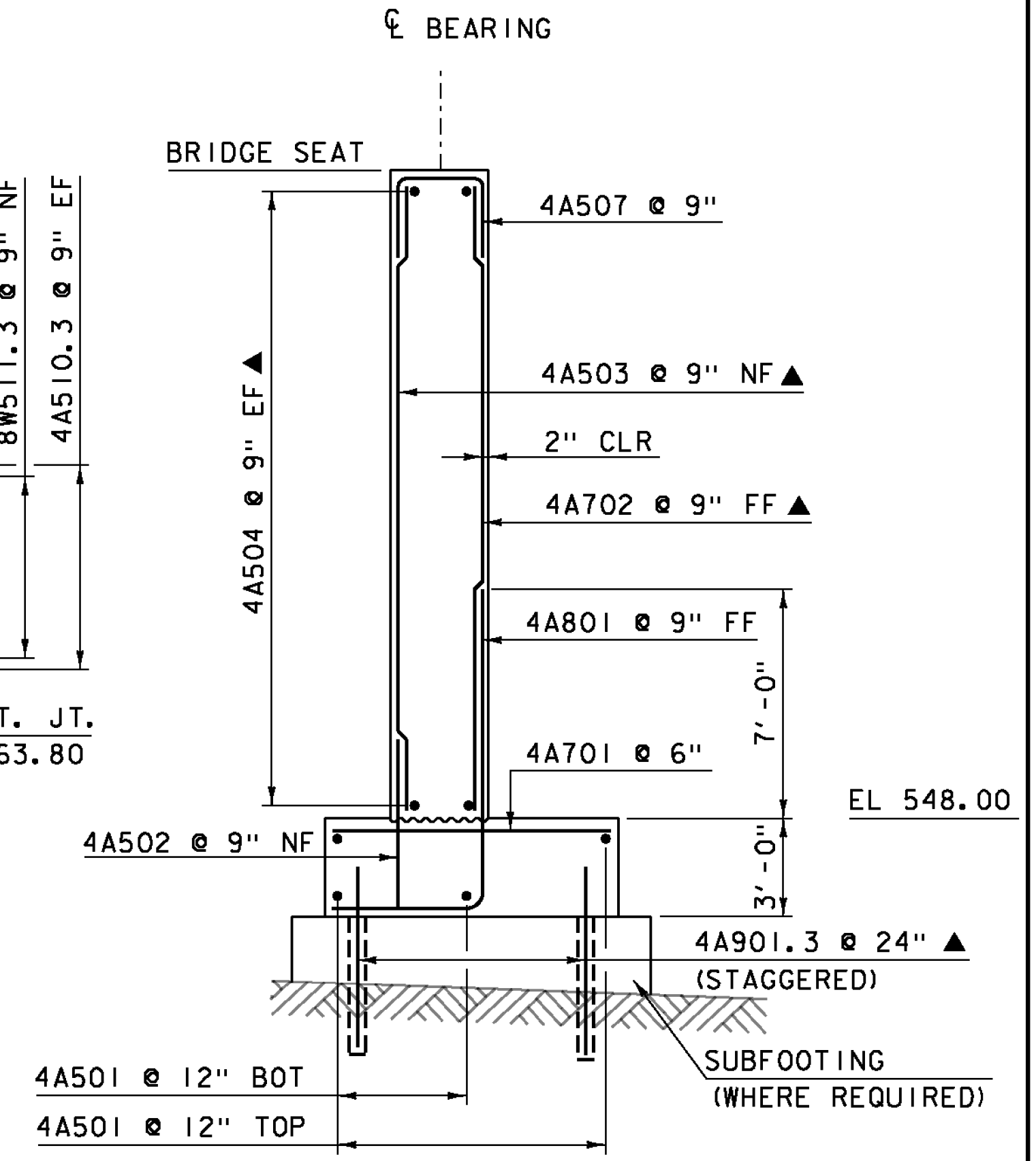
← SLIDE DIRECTION



ABUTMENT 4 PLAN
SCALE: 1/4" = 1'-0"



ABUTMENT 4 ELEVATION
SCALE: 1/4" = 1'-0"



ABUTMENT 4 TYPICAL AT BRIDGE SEAT
SCALE: 1/4" = 1'-0"

PROJECT NAME:	HARTFORD	PLOT DATE:	04-MAY-2015
PROJECT NUMBER:	IM 091-2(79)	DRAWN BY:	J. SALVATORI
FILE NAME:	sl20132sub.ab4	DESIGNED BY:	G. LAROCHE
PROJECT LEADER:	K. HIGGINS	CHECKED BY:	G. LAROCHE
ABUTMENT 4		SHEET	113R OF 166