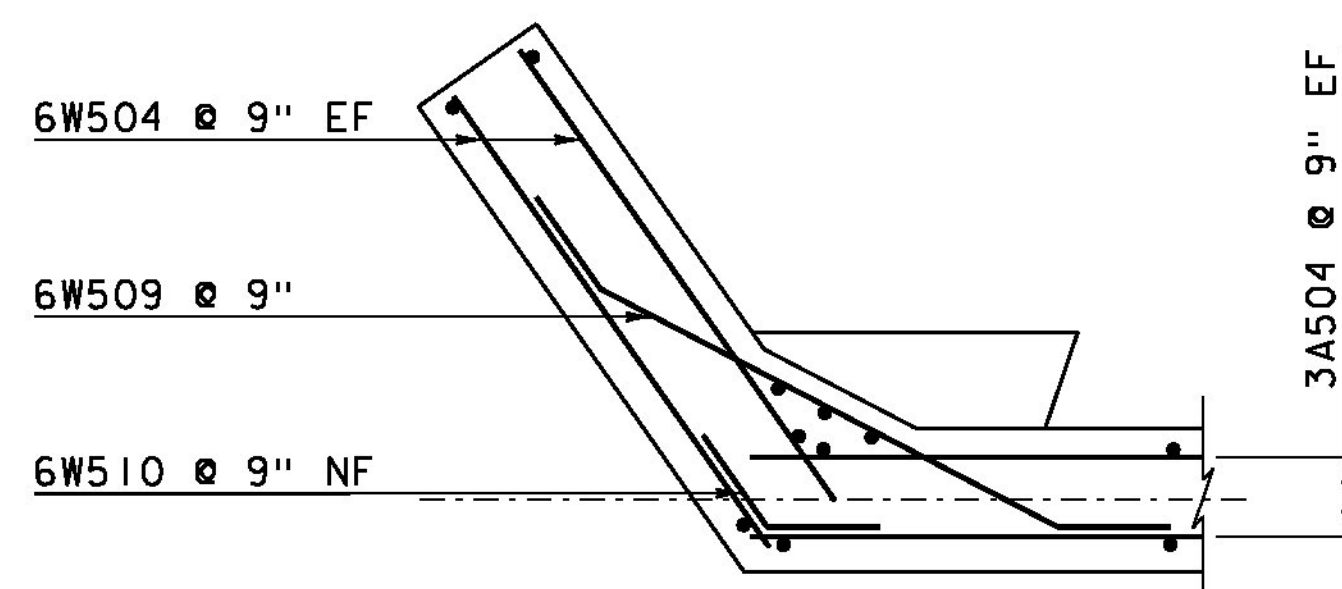


WINGWALL 6 CORNER DETAIL

ABOVE BRIDGE SEAT

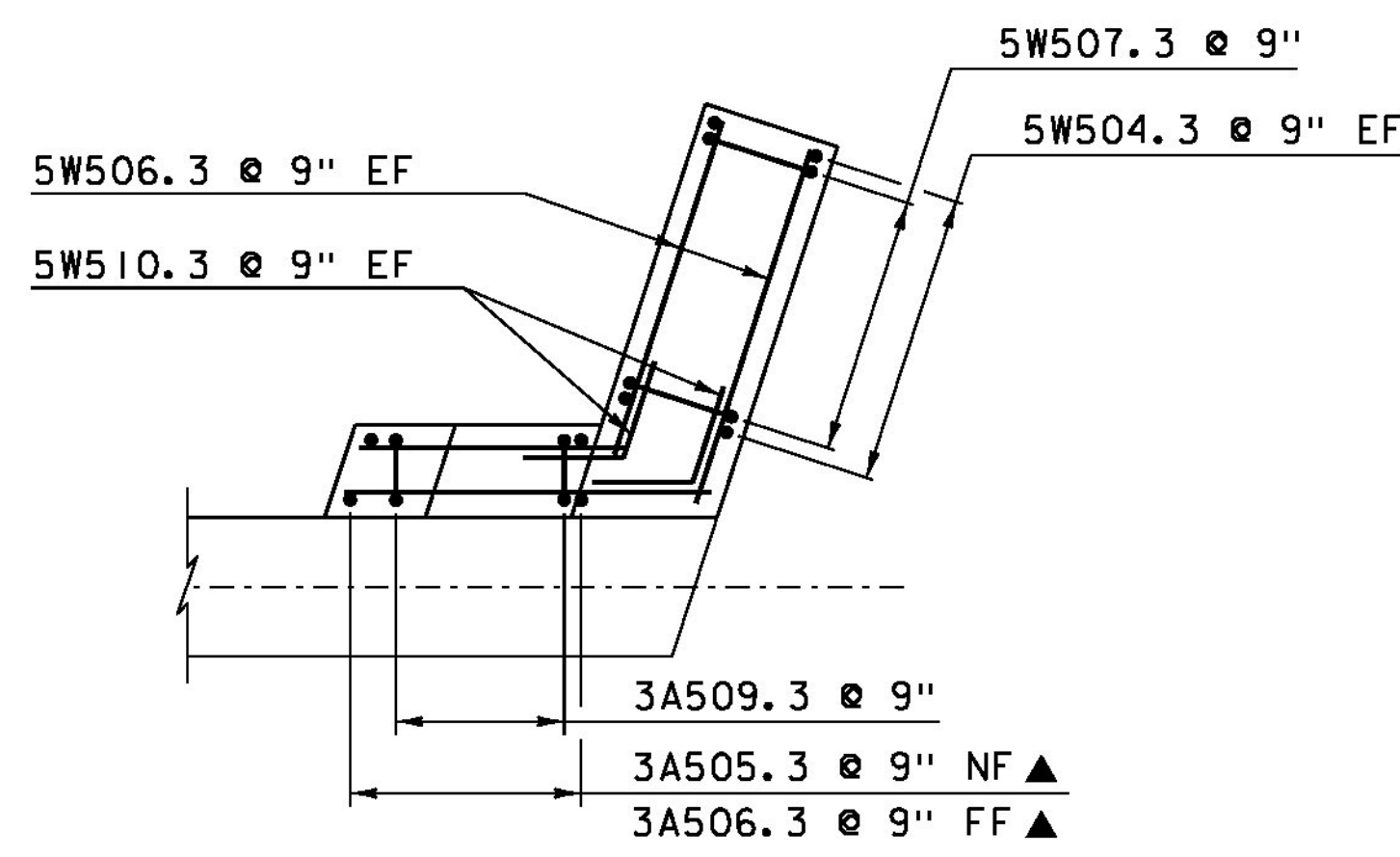
SCALE: 1/4" = 1'-0"



WINGWALL 6 CORNER DETAIL

BELOW BRIDGE SEAT

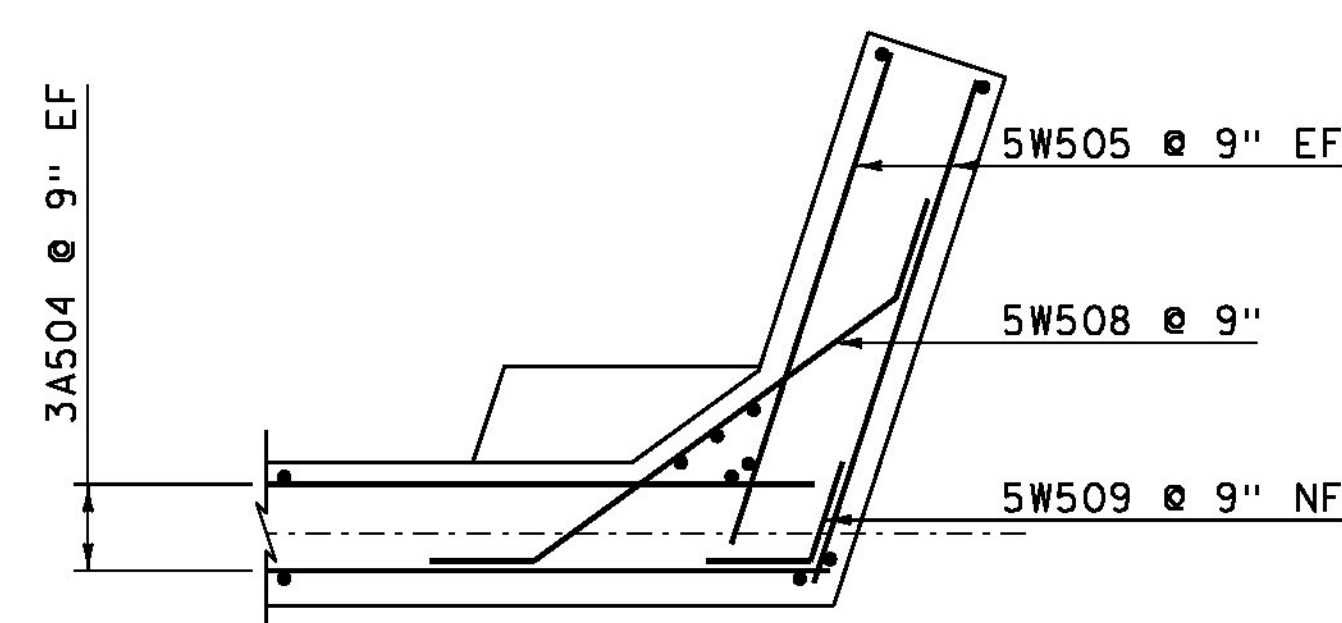
SCALE: 1/4" = 1'-0"



WINGWALL 5 CORNER DETAIL

ABOVE BRIDGE SEAT

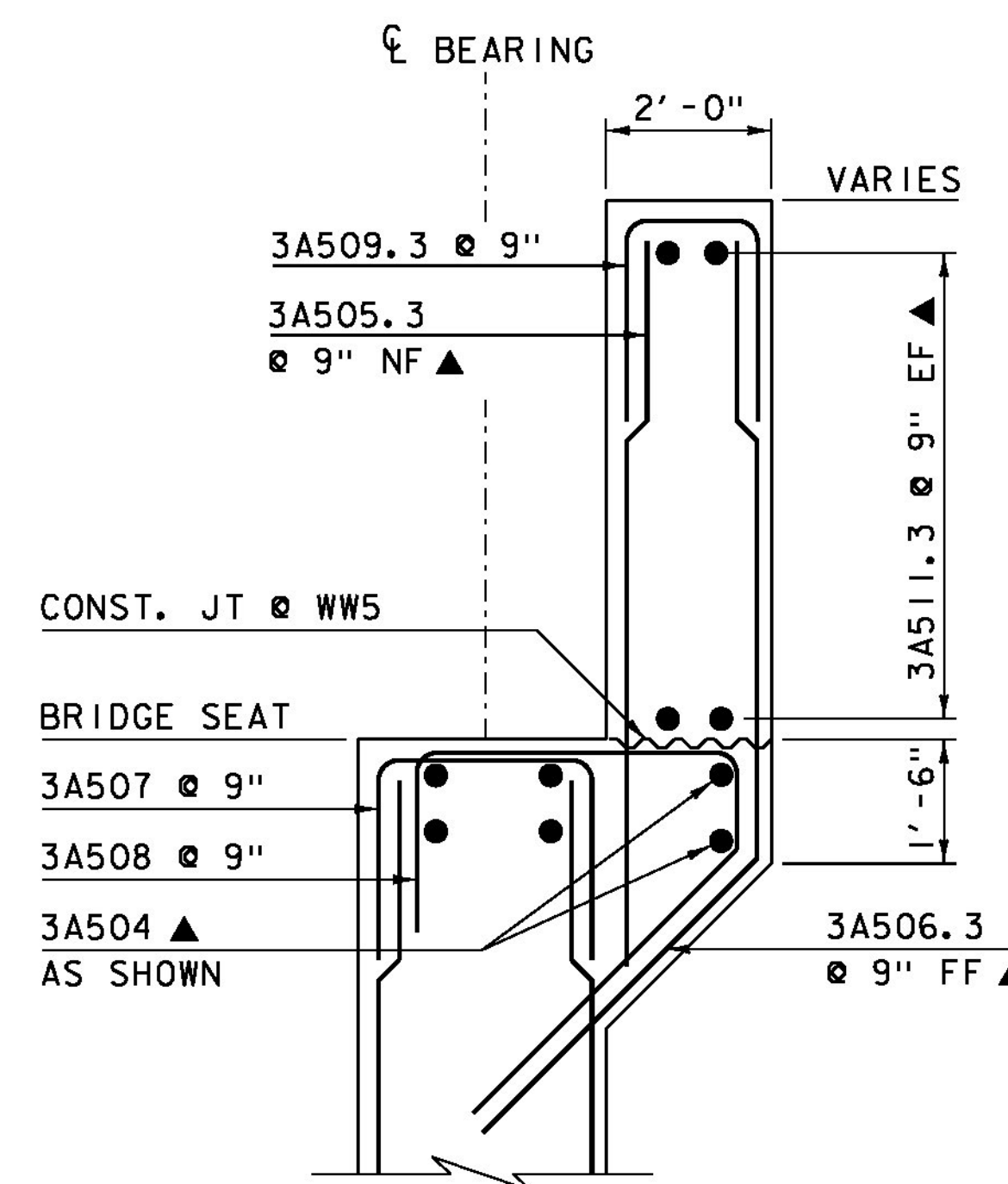
SCALE: 1/4" = 1'-0"



WINGWALL 5 CORNER DETAIL

BELOW BRIDGE SEAT

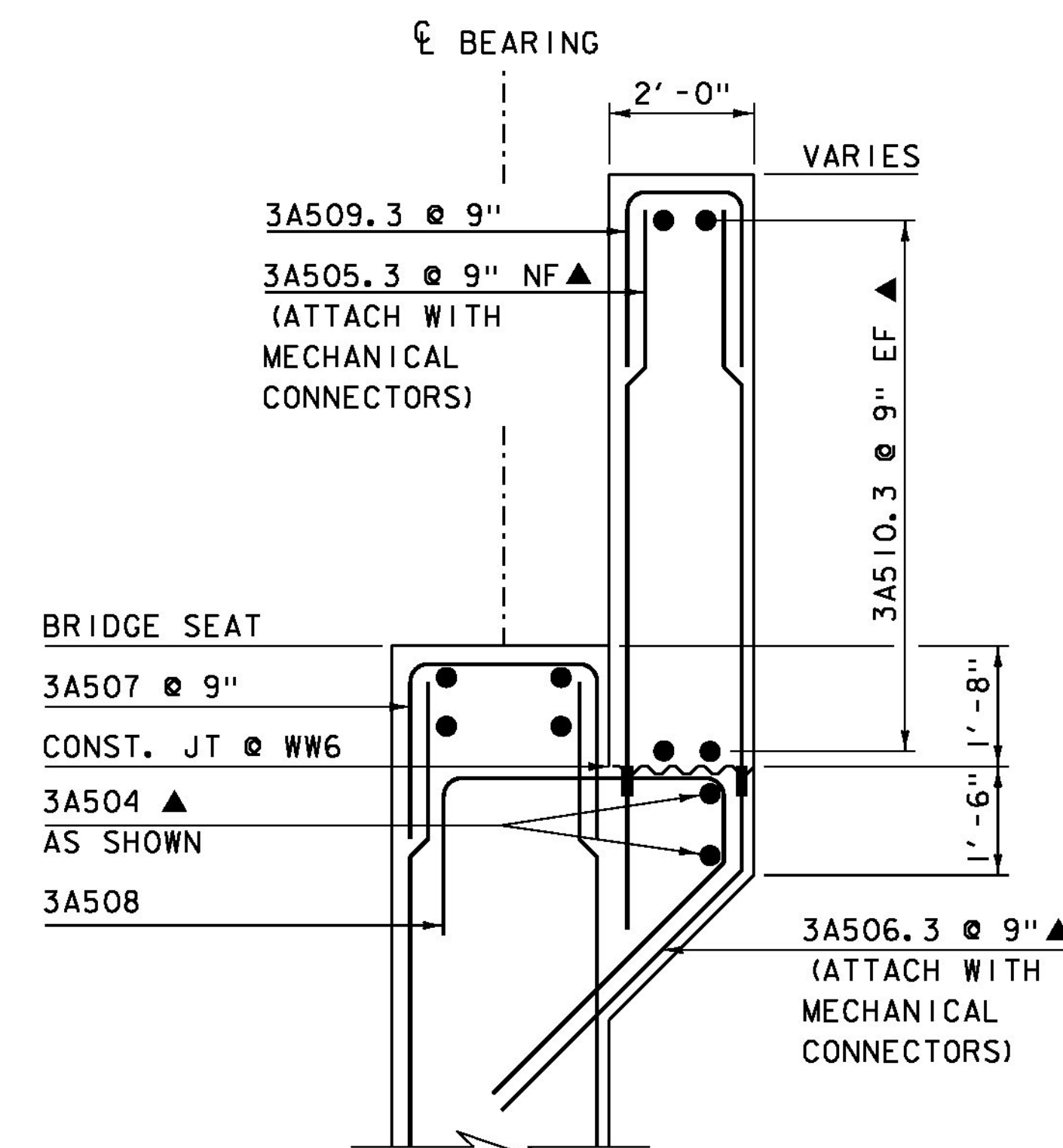
SCALE: 1/4" = 1'-0"



ABUTMENT 3 CHEEK WALL

REINFORCING @ WW 5

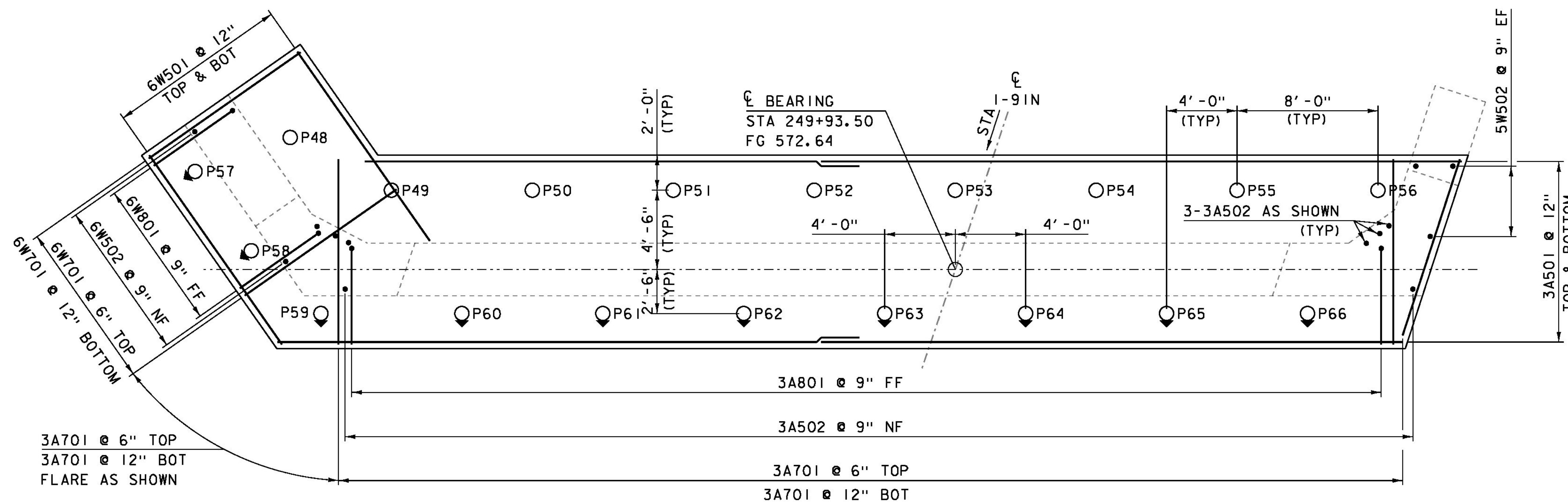
SCALE: 1/2" = 1'-0"



ABUTMENT 3 CHEEK WALL

REINFORCING @ WW 6

SCALE: 1/2" = 1'-0"



ABUTMENT 3 FOOTING PLAN

SCALE: 1/4" = 1'-0"

NOTE:

- NF = NEAR FACE
- FF = FAR FACE
- EF = EACH FACE
- ▲ = CUT TO FIT IN FIELD
- = MECHANICAL CONNECTOR
- 3" CLEAR, UNLESS OTHERWISE SPECIFIED ON THE PLANS.
- 2'-2" LAP FOR #5 BAR
- 2'-7" LAP FOR #6 BAR
- 3'-5" LAP FOR #7 BAR
- 4'-6" LAP FOR #8 BAR
- 5'-9" LAP FOR #9 BAR

PROJECT NAME: HARTFORD
PROJECT NUMBER: IM 091-2(79)

FILE NAME: s12a132sub_ab3
PROJECT LEADER: K. HIGGINS
DESIGNED BY: G. LAROCHE
ABUTMENT 3 FOOTING

PLOT DATE: 15-DEC-2014
DRAWN BY: J. SALVATORI
CHECKED BY: G. LAROCHE
SHEET 110 OF 166