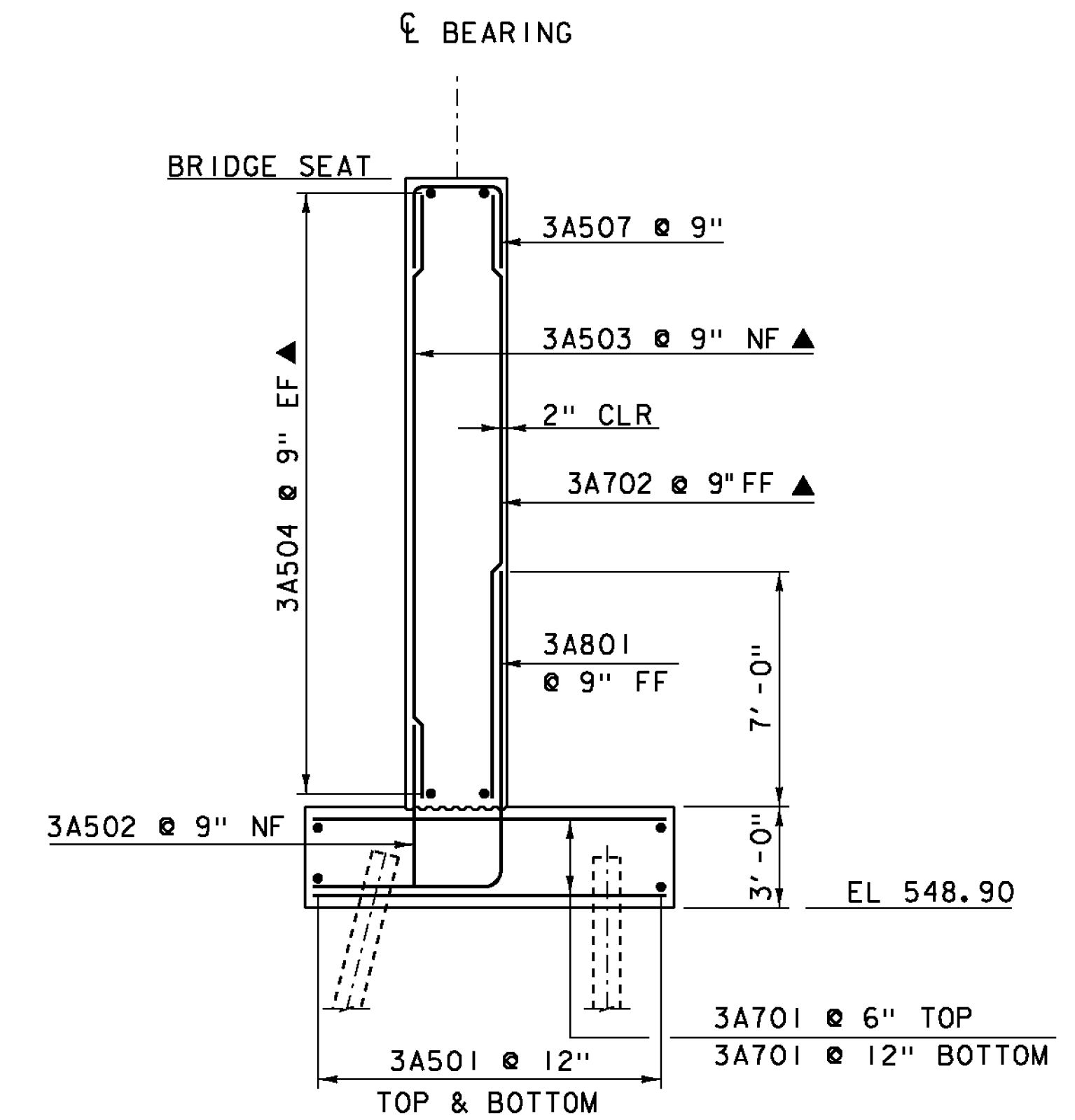


BRIDGE SEAT ELEVATIONS

GIRDER	ELEVATION
G1	568.65
G2	568.20
G3	567.74
G4	567.29
G5	566.83
G6	566.38

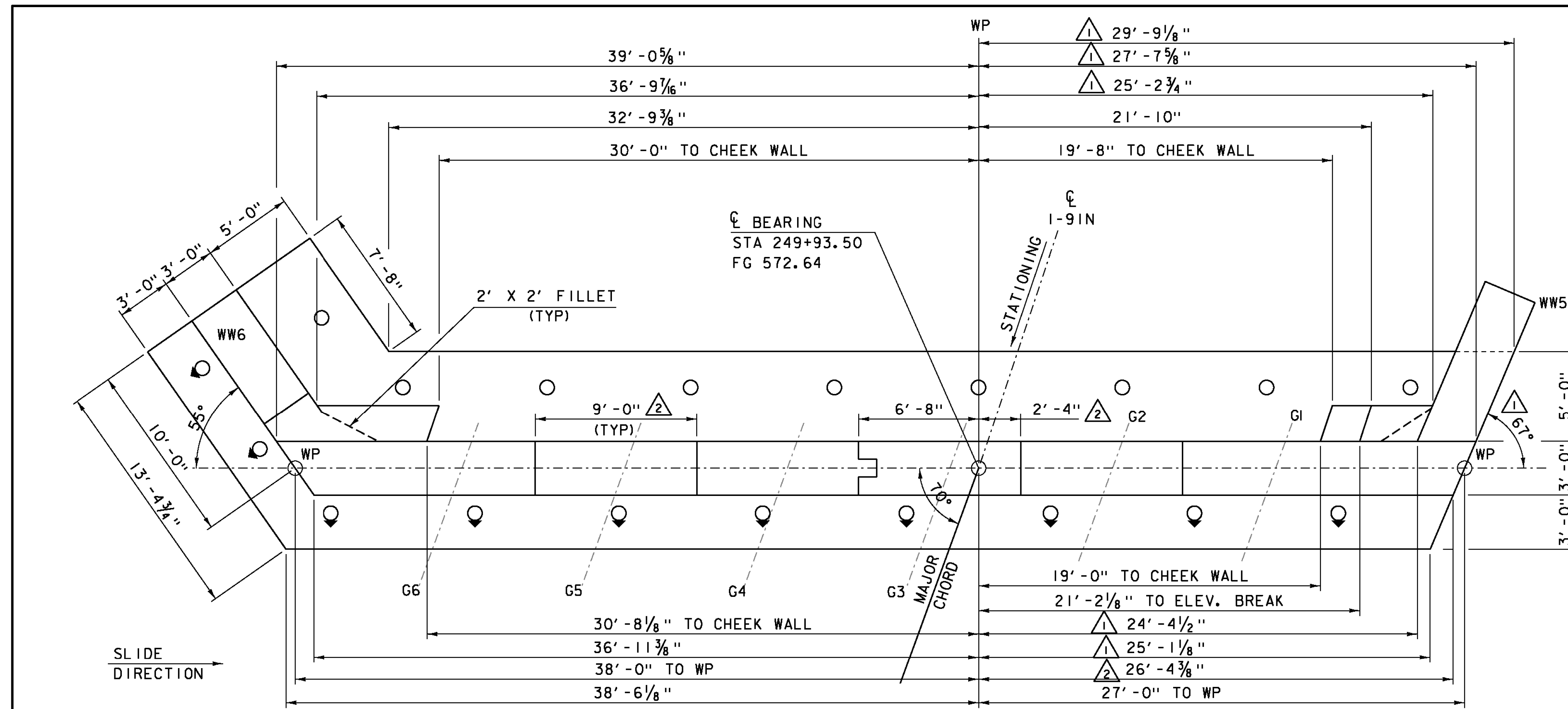


ABUTMENT 3 TYPICAL
SCALE: 1/4" = 1'-0"

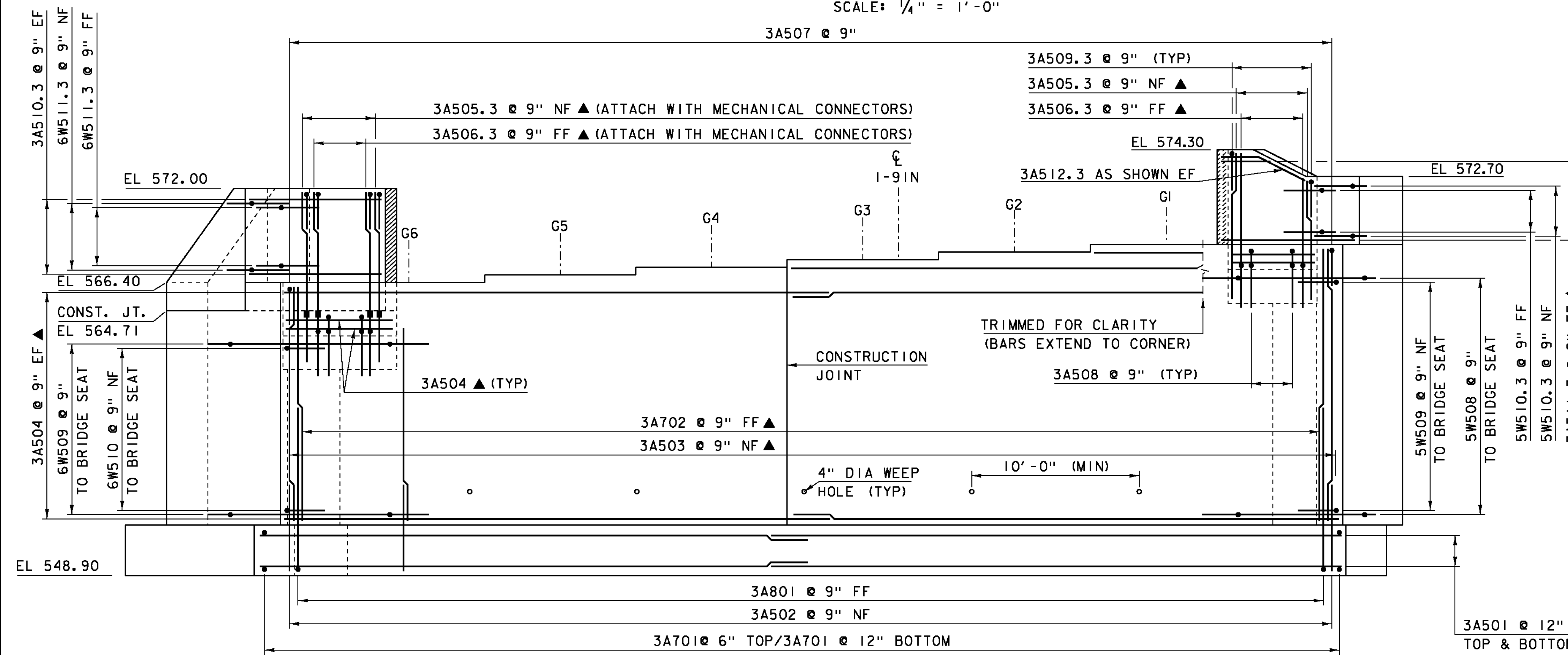
REVISION	DATE	DESCRIPTION	BY
1	04-23-2015	WINGWALL 5 ROTATED 5 DEGREES	JS
2	05-04-2015	ADDED OR REVISED DIMENSIONS	JS

NOTE:
 NF = NEAR FACE
 FF = FAR FACE
 EF = EACH FACE
 ▲ = CUT TO FIT IN FIELD
 ■ = MECHANICAL CONNECTOR
 3" CLEAR, UNLESS OTHERWISE SPECIFIED ON THE PLANS.
 2'-2" LAP FOR #5 BAR
 2'-7" LAP FOR #6 BAR
 3'-5" LAP FOR #7 BAR
 4'-6" LAP FOR #8 BAR

PROJECT NAME:	HARTFORD	PLOT DATE:	04-MAY-2015
PROJECT NUMBER:	IM 091-2(79)	DRAWN BY:	J. SALVATORI
FILE NAME:	sl20132sub.ab3	CHECKED BY:	G. LAROCHE
PROJECT LEADER:	K. HIGGINS	DESIGNED BY:	G. LAROCHE
ABUTMENT 3			SHEET 109R OF 166



ABUTMENT 3 PLAN
SCALE: 1/4" = 1'-0"



ABUTMENT 3 ELEVATION
SCALE: 1/4" = 1'-0"