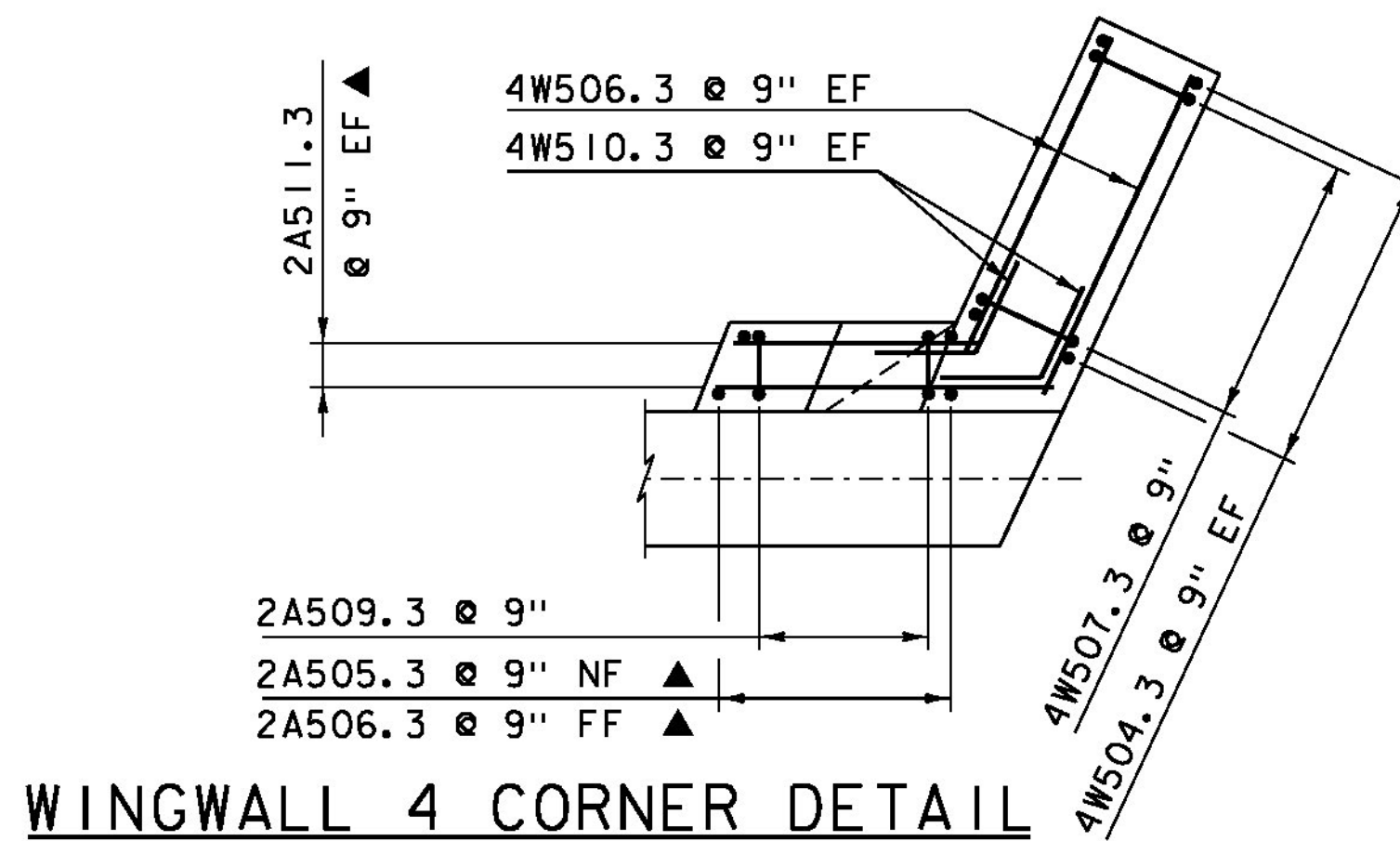


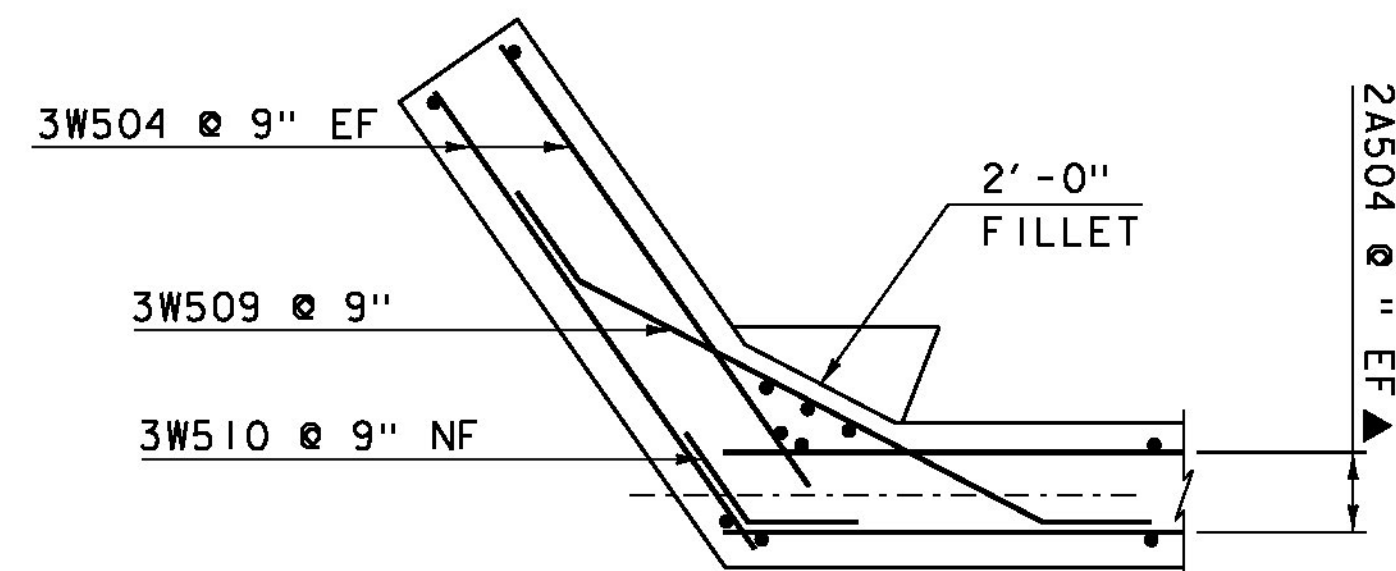
**WINGWALL 3 CORNER DETAIL
ABOVE BRIDGE SEAT**

SCALE: 1/4" = 1'-0"



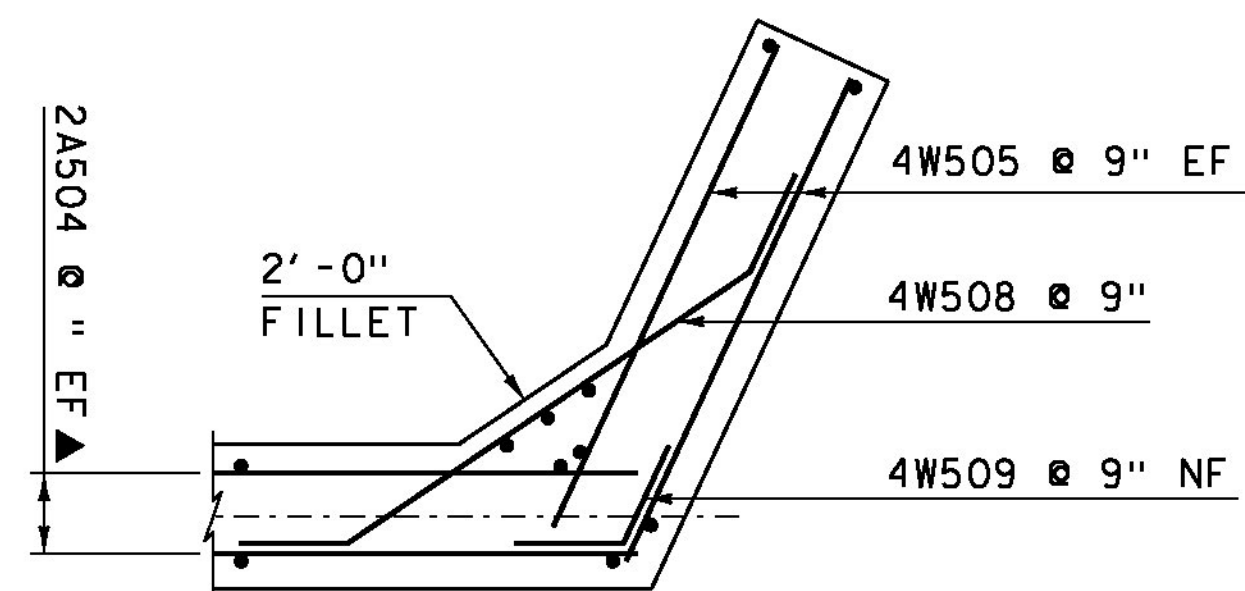
**WINGWALL 4 CORNER DETAIL
ABOVE BRIDGE SEAT**

SCALE: 1/4" = 1'-0"



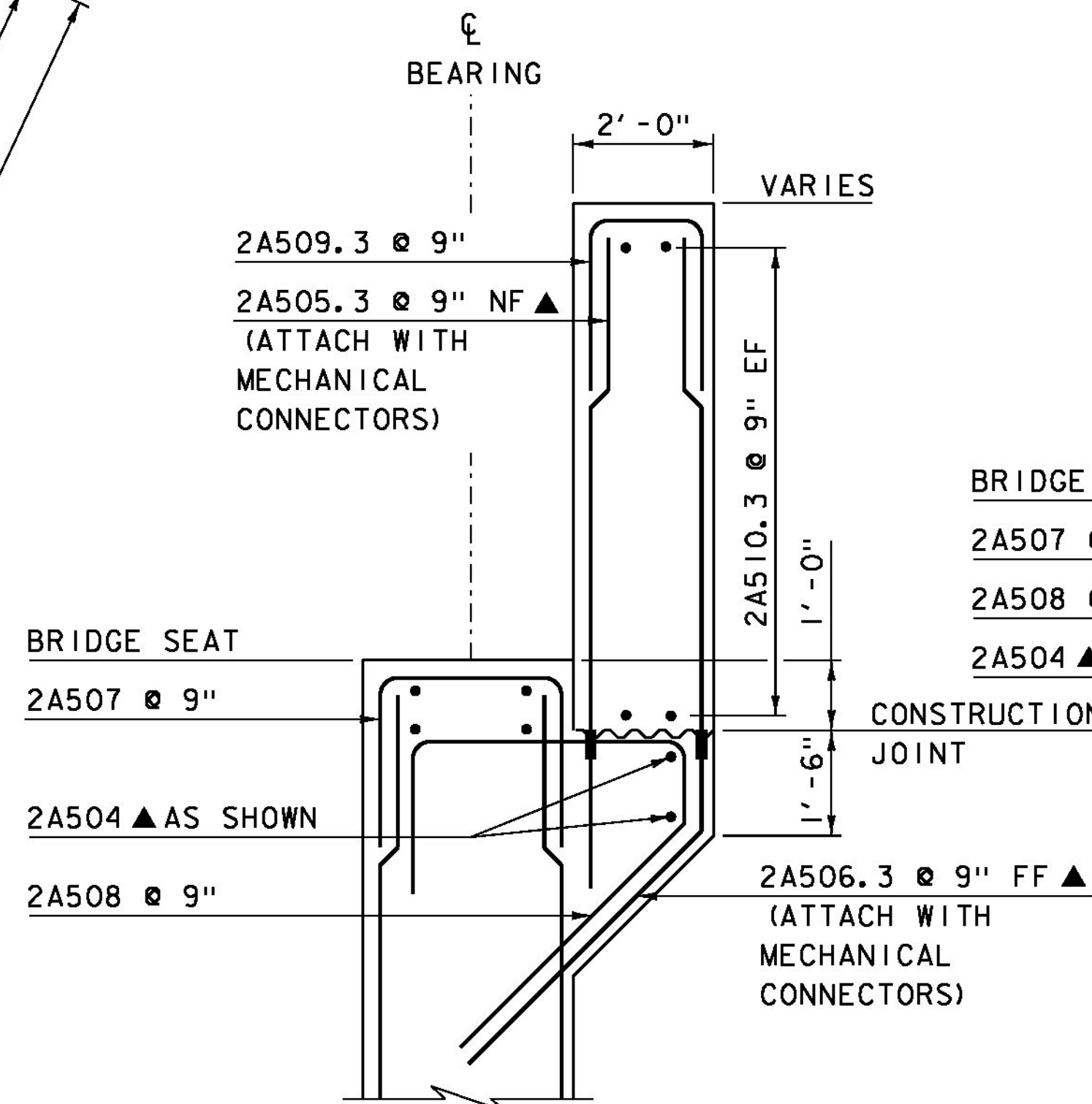
**WINGWALL 3 CORNER DETAIL
BELOW BRIDGE SEAT**

SCALE: 1/4" = 1'-0"



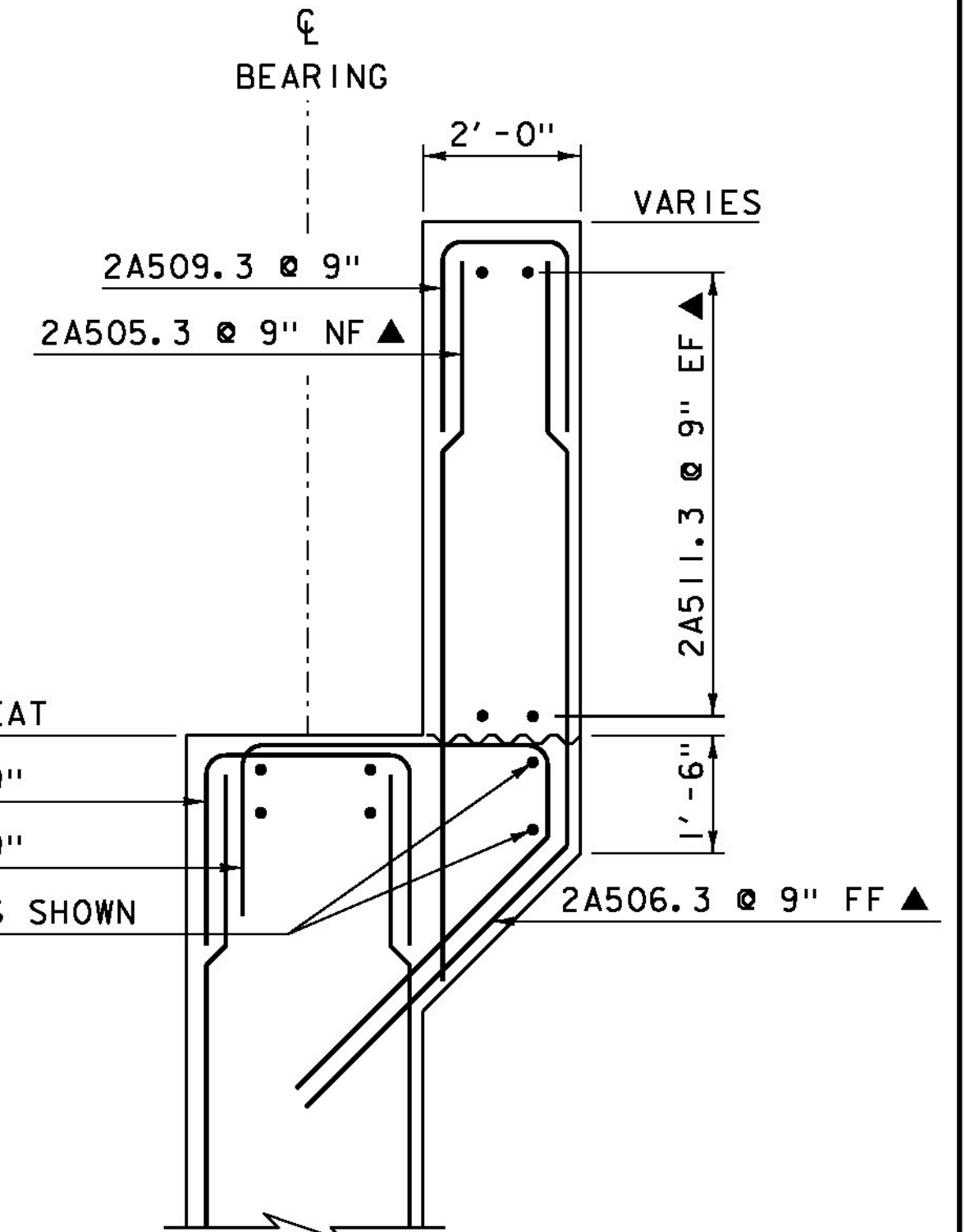
**WINGWALL 4 CORNER DETAIL
BELOW BRIDGE SEAT**

SCALE: 1/4" = 1'-0"



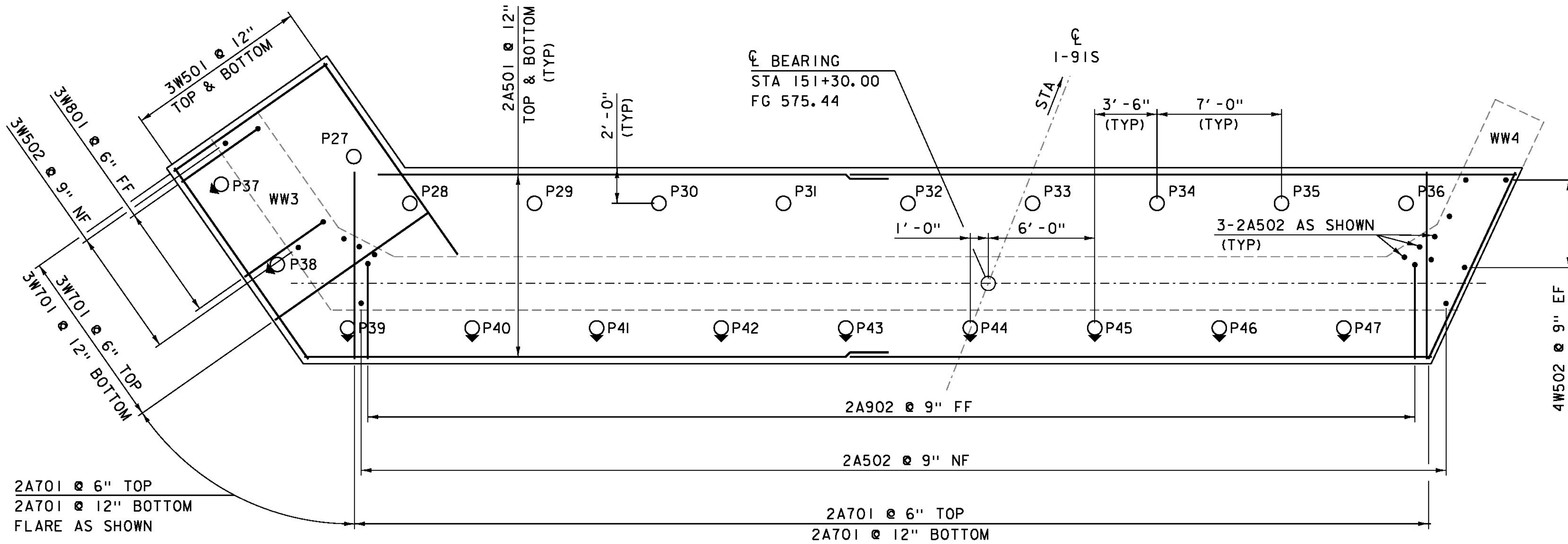
**ABUTMENT 2 CHEEK WALL
REINFORCING @ WW3**

SCALE: 1/4" = 1'-0"



**ABUTMENT 2 CHEEK WALL
REINFORCING @ WW4**

SCALE: 1/4" = 1'-0"



**ABUTMENT 2
FOOTING PLAN**

SCALE: 1/4" = 1'-0"

NOTE:
 NF = NEAR FACE
 FF = FAR FACE
 EF = EACH FACE
 ▲ = CUT TO FIT IN FIELD
 ■ = MECHANICAL CONNECTOR
 3" CLEAR, UNLESS OTHERWISE SPECIFIED ON THE PLANS.
 2'-2" LAP FOR #5 BAR
 2'-7" LAP FOR #6 BAR
 3'-5" LAP FOR #7 BAR
 4'-6" LAP FOR #8 BAR

PROJECT NAME:	HARTFORD
PROJECT NUMBER:	IM 091-2(79)
FILE NAME:	si2a132sub_ab2
PROJECT LEADER:	K. HIGGINS
DESIGNED BY:	G. LAROCHE
ABUTMENT 2 FOOTING	
PLOT DATE:	15-DEC-2014
DRAWN BY:	J. SALVATORI
CHECKED BY:	G. LAROCHE
SHEET	106 OF 166