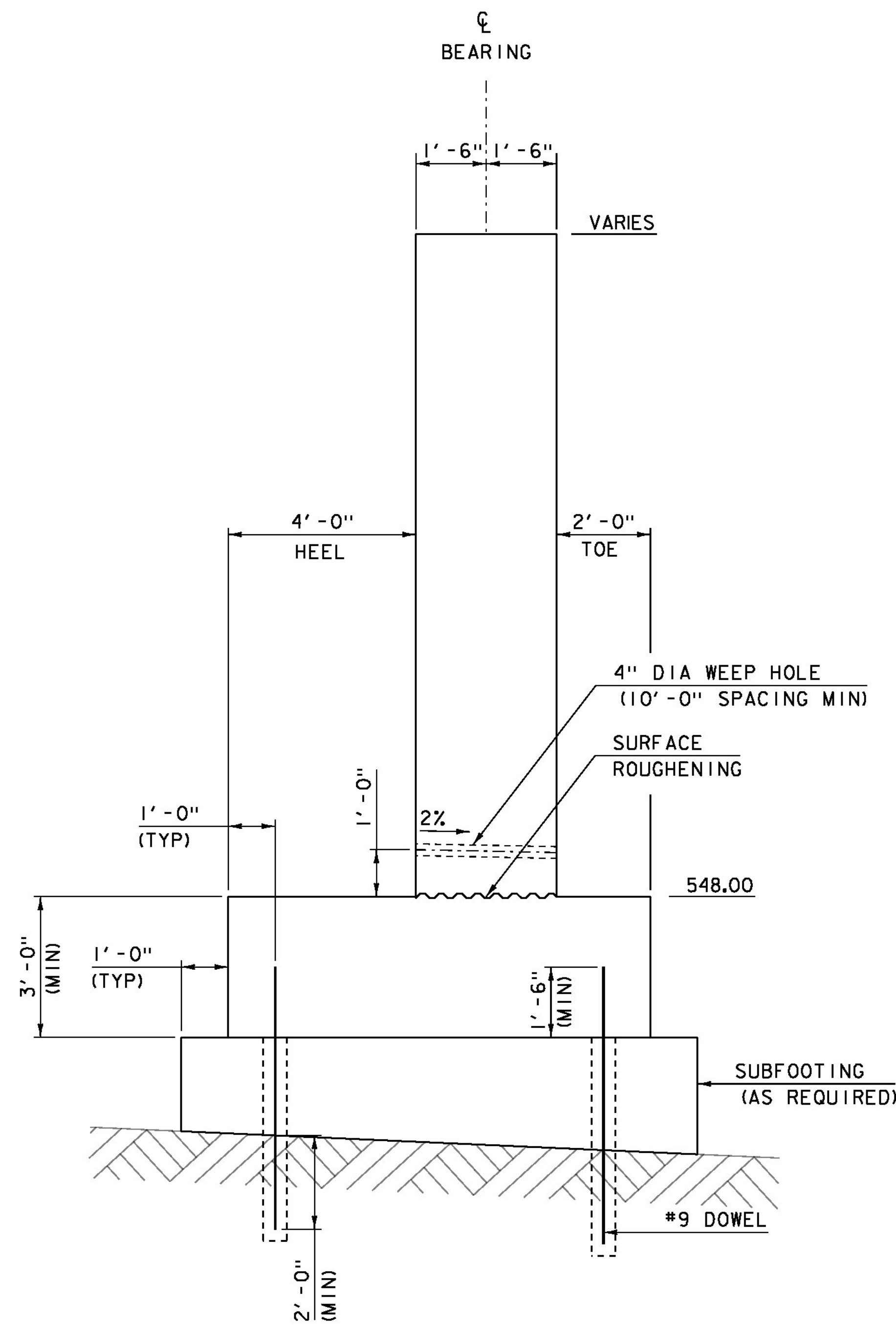
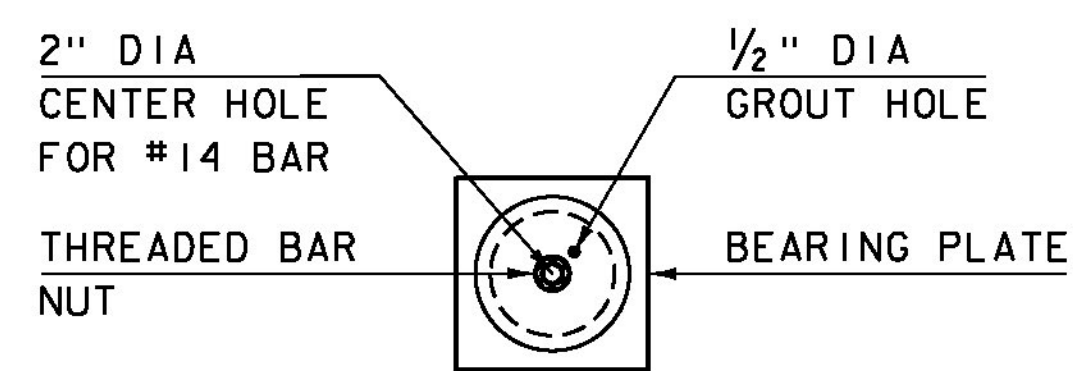


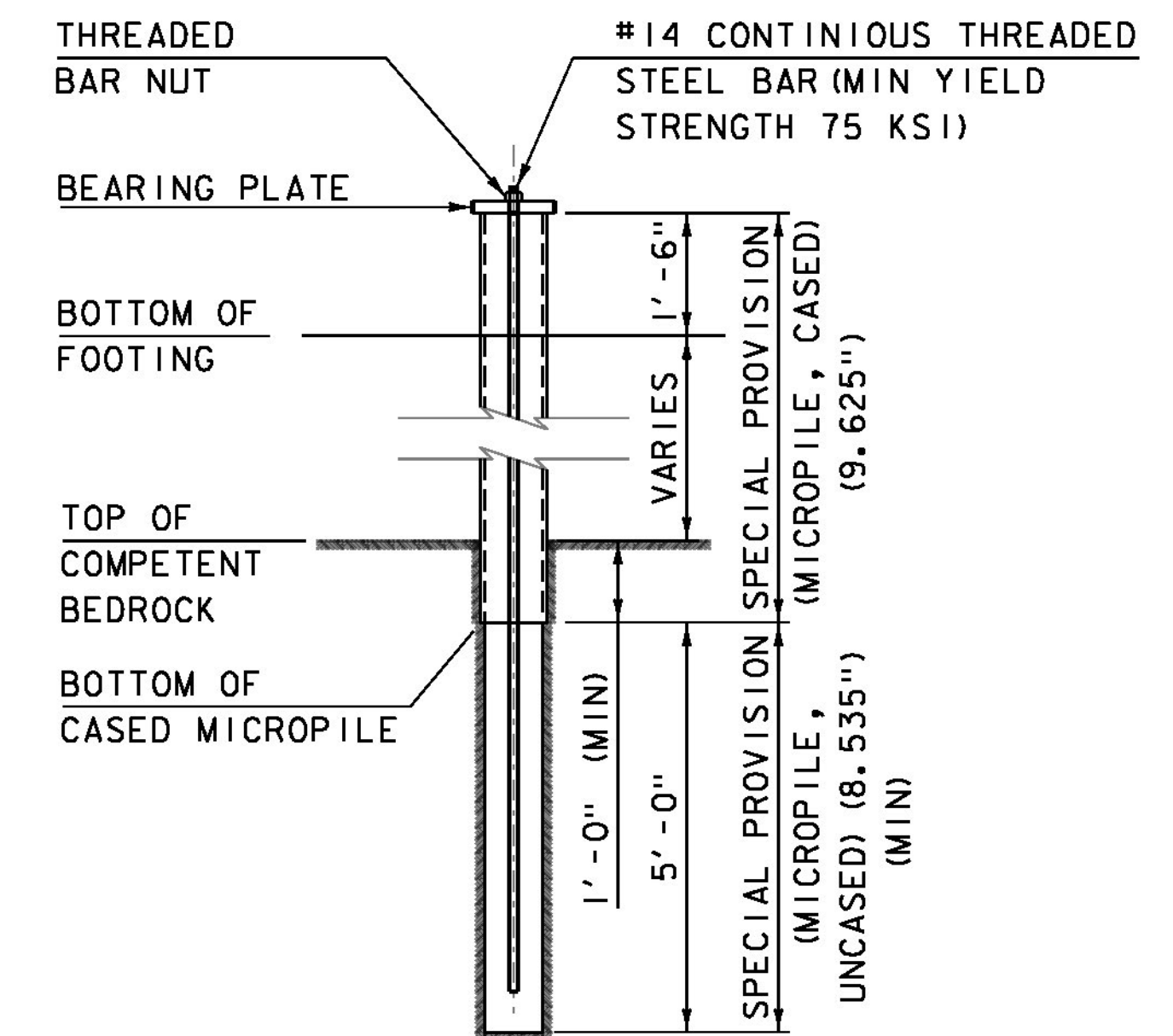
ABUTMENT 1-3 TYPICAL
SCALE: 1/2" = 1'-0"



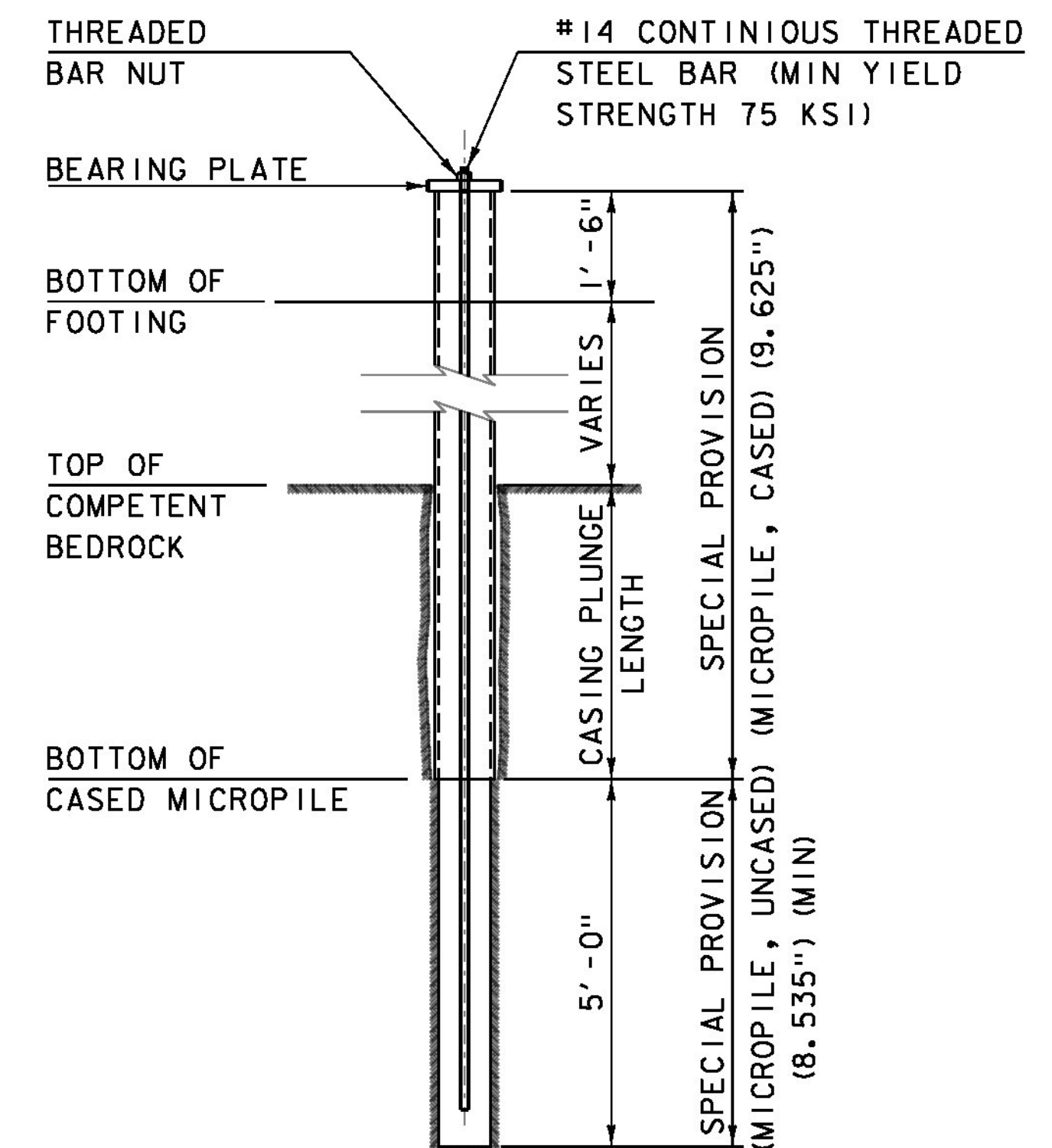
ABUTMENT 4 TYPICAL
SCALE: 1/2" = 1'-0"



MICROPILE PLAN
SCALE: 1" = 1'-0"



PLUMB MICROPILE ELEVATION
SCALE: 1/2" = 1'-0"



BATTERED MICROPILE ELEVATION
SCALE: 1/2" = 1'-0"

	PILE TYPE	CASING PLUNGE LENGTH IN COMPETENT ROCK	CASING SEATED INTO COMPETENT ROCK	BEARING PLATE SIZE
ABUT 1	FRONT ROW (BATTERED)	3.0 FT	N/A	1 3/4" X 1' X 1'
	BACK ROW (PLUMB)	N/A	1 FT	
ABUT 2	FRONT ROW (BATTERED)	4.5 FT	N/A	1 3/4" X 1'1" X 1'1"
	BACK ROW (PLUMB)	N/A	1 FT	
ABUT 3	FRONT ROW (BATTERED)	4.0 FT	N/A	1 3/4" X 1' X 1'
	BACK ROW (PLUMB)	N/A	1 FT	

PROJECT NAME: HARTFORD
PROJECT NUMBER: IM 091-2(79)

FILE NAME: s12a132sub_abl.dgn
PROJECT LEADER: K. HIGGINS
DESIGNED BY: G. LAROCHE
ABUTMENT TYPICALS

PLOT DATE: 15-DEC-2014
DRAWN BY: J. SALVATORI
CHECKED BY: W. LAMMER
SHEET 100 OF 166