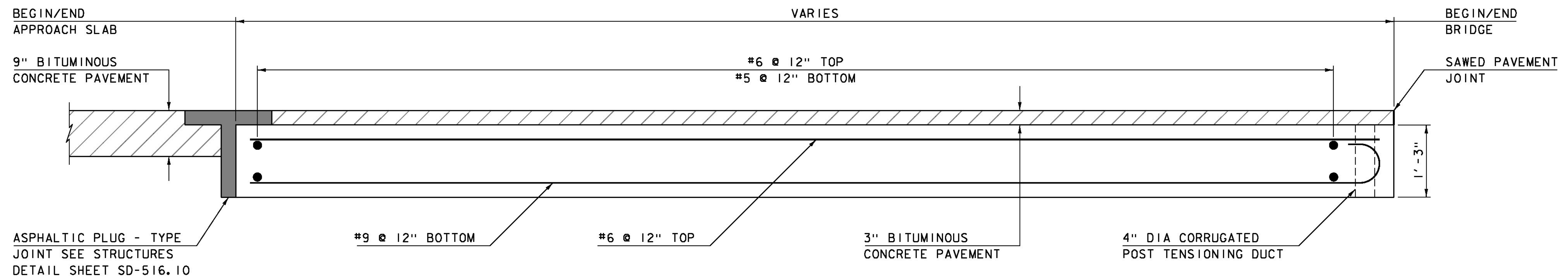
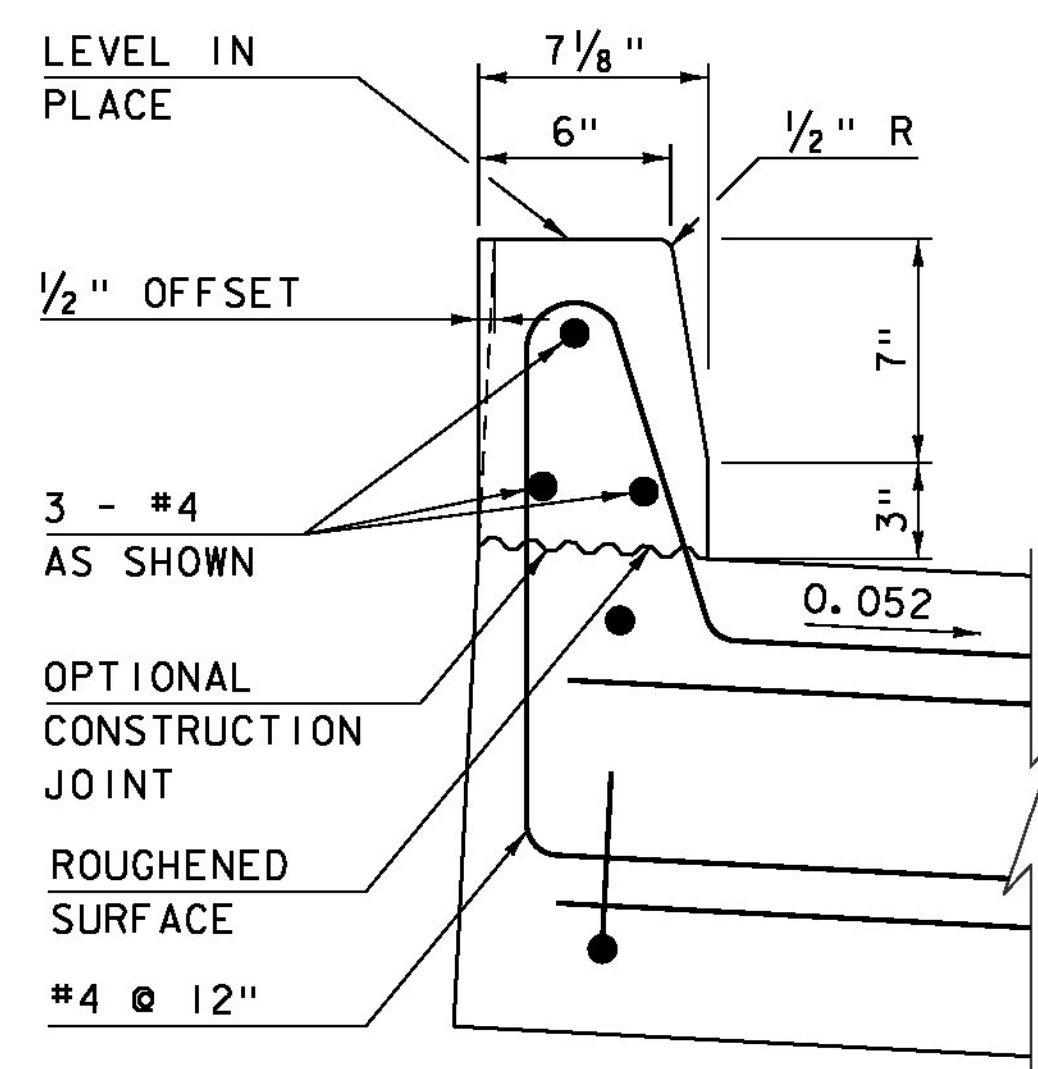


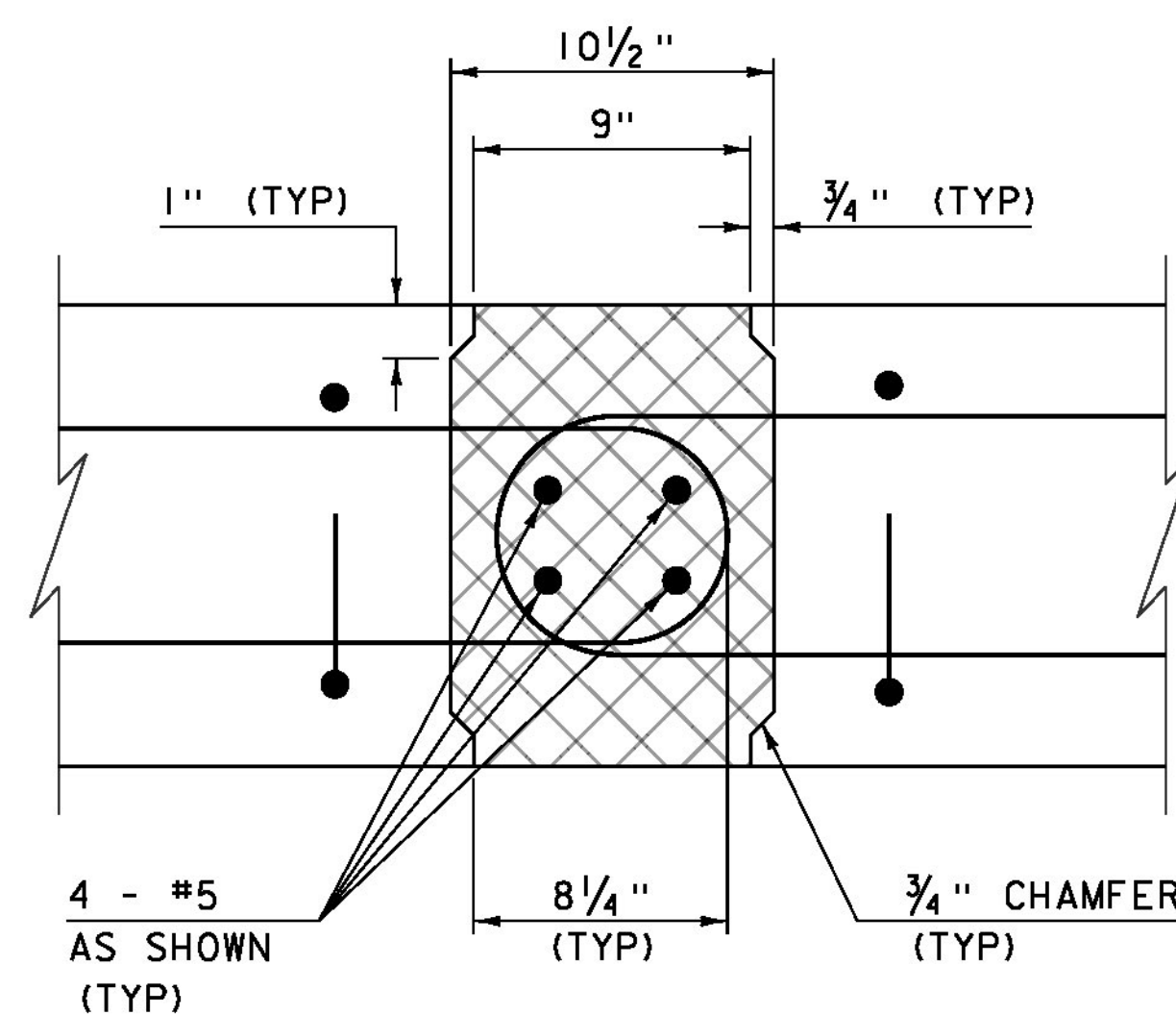
SECTION A-A
SCALE 1" = 1'-0"



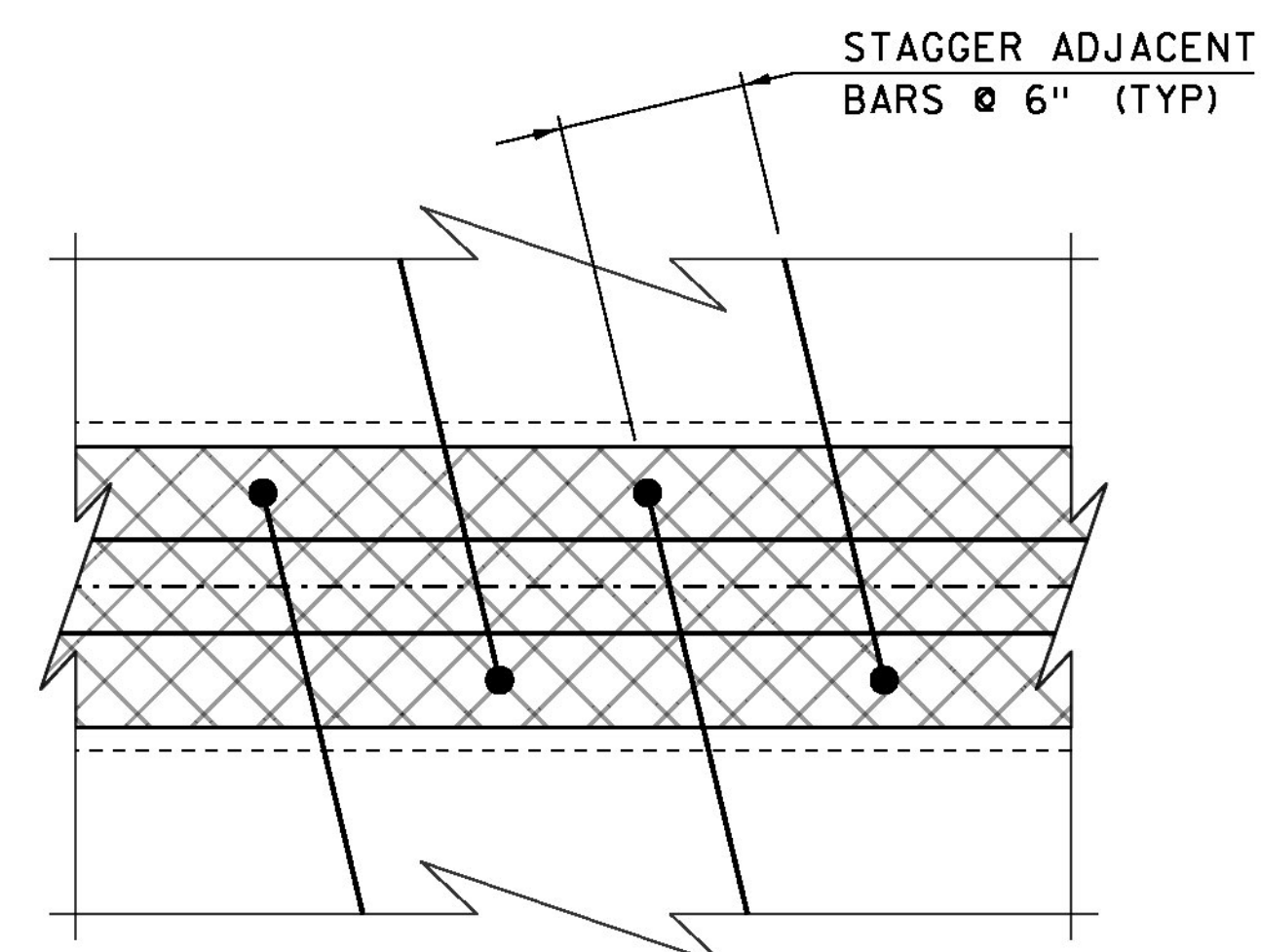
SECTION B-B
SCALE 1" = 1'-0"



CURB DETAIL
SCALE 2" = 1'-0"



JOINT DETAIL SECTION
SCALE 2" = 1'-0"



JOINT DETAIL PLAN
SCALE 2" = 1'-0"

NOTE:

NF = NEAR FACE
FF = FAR FACE
EF = EACH FACE
▲ = CUT TO FIT IN FIELD
3" CLEAR, UNLESS OTHERWISE
SPECIFIED ON THE PLANS.
2'-2" BAR LAP UNLESS OTHERWISE
SPECIFIED ON THE PLANS.

NOTES:

- 1) ALL APPROACH SLAB REINFORCING STEEL SHALL BE LEVEL II OR HIGHER.

PROJECT NAME: HARTFORD
PROJECT NUMBER: IM 09I-2(79)

FILE NAME: s12a132apslabs_43S.dgn
PROJECT LEADER: K. HIGGINS
DESIGNED BY: G. LAROCHE
APPROACH SLAB DETAILS

PLOT DATE: 15-DEC-2014
DRAWN BY: K. FRIEDLAND
CHECKED BY: W. LAMMER
SHEET 99 OF 166