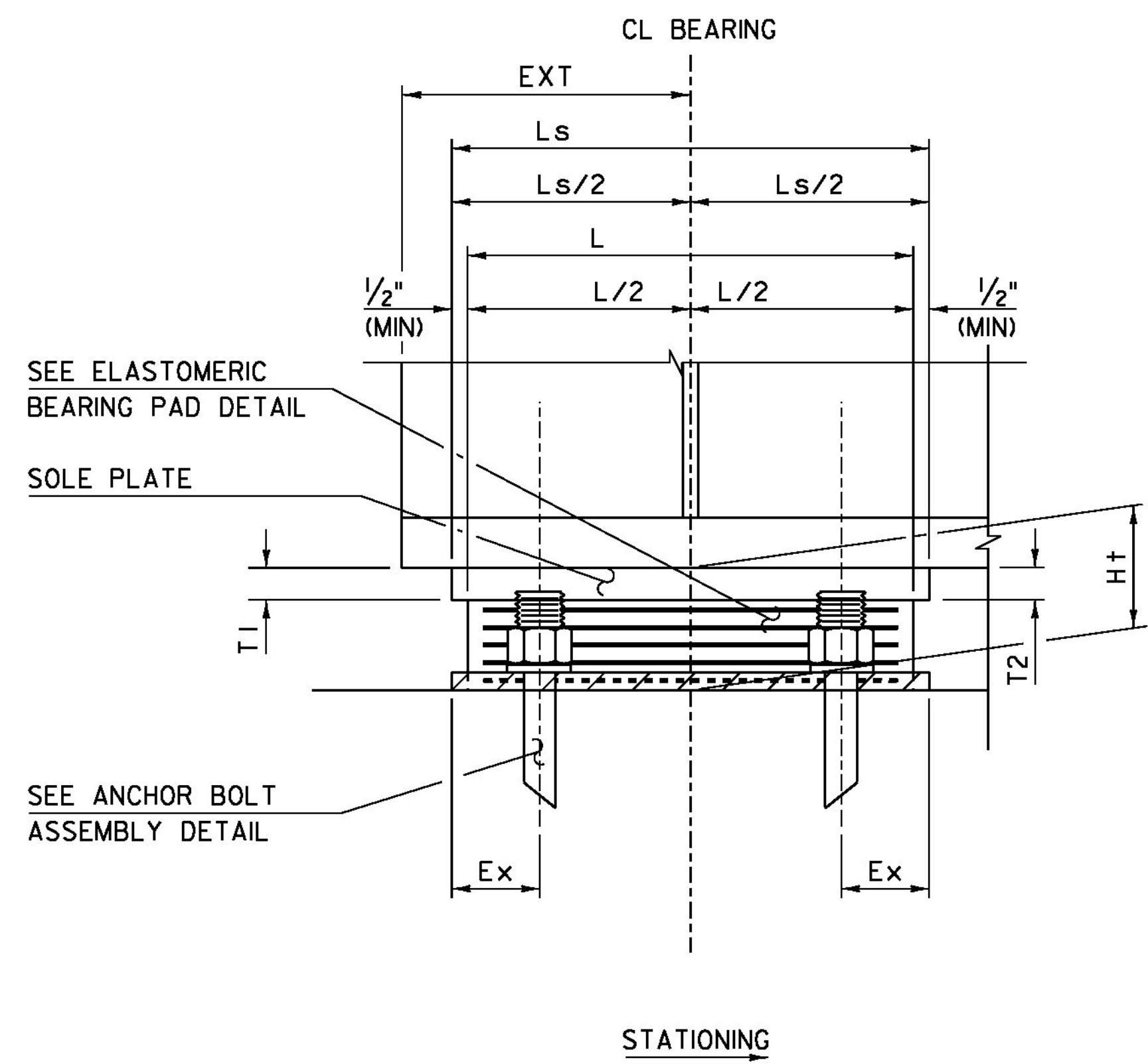
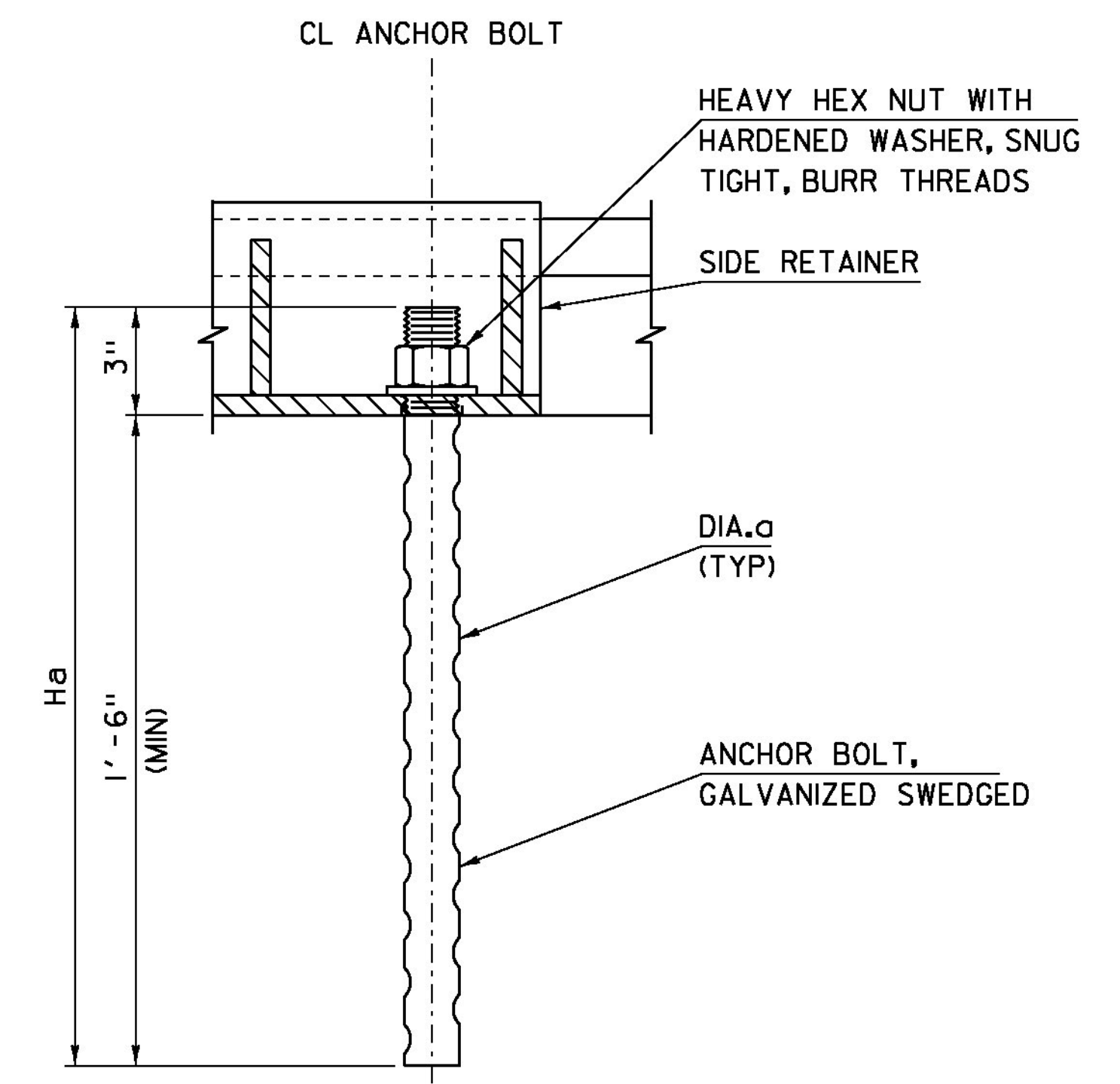


EXPANSION BEARING TYPICAL PLAN  
(NTS)

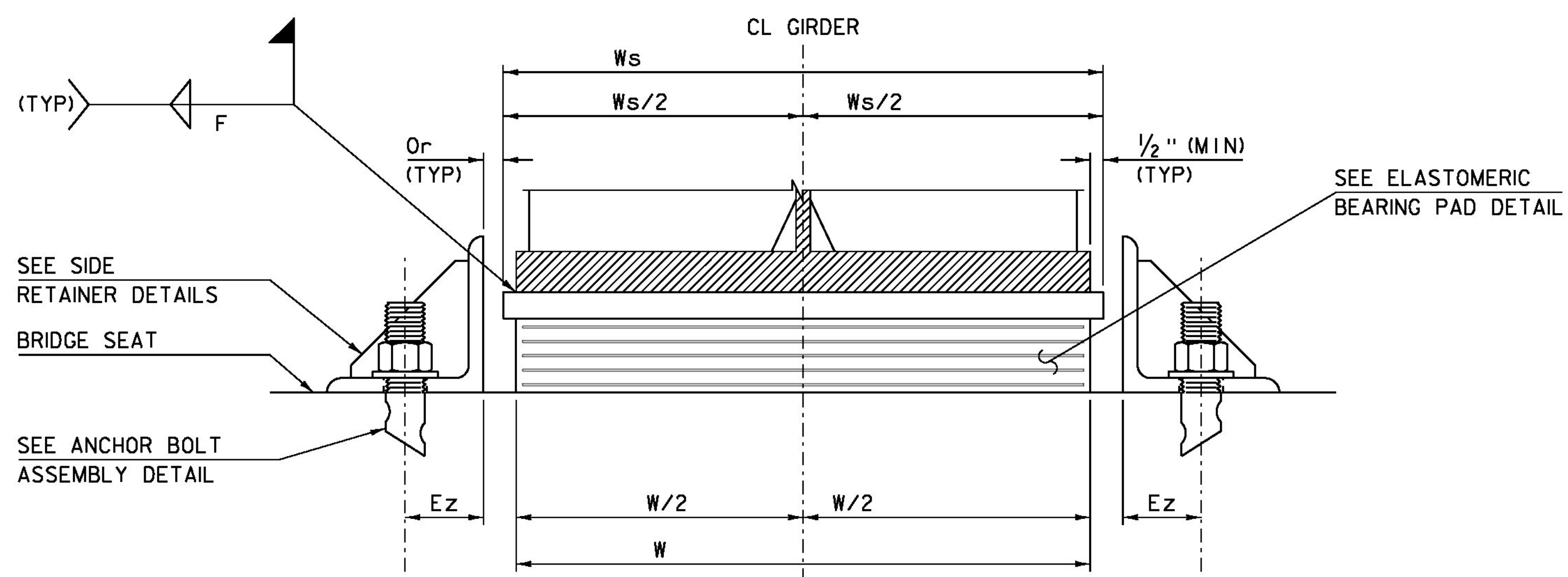


EXPANSION BEARING TYPICAL SECTION  
(NTS)

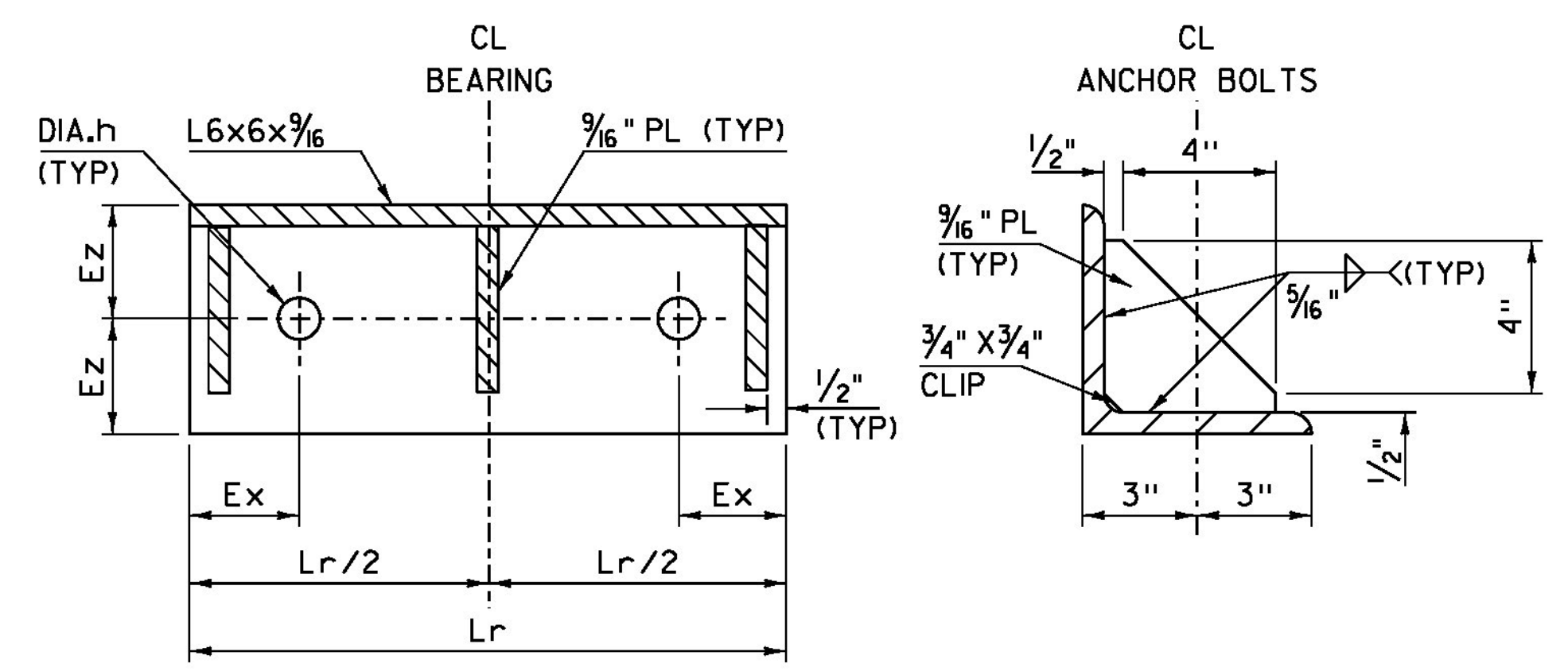


ANCHOR BOLT ASSEMBLY DETAIL  
(NTS)

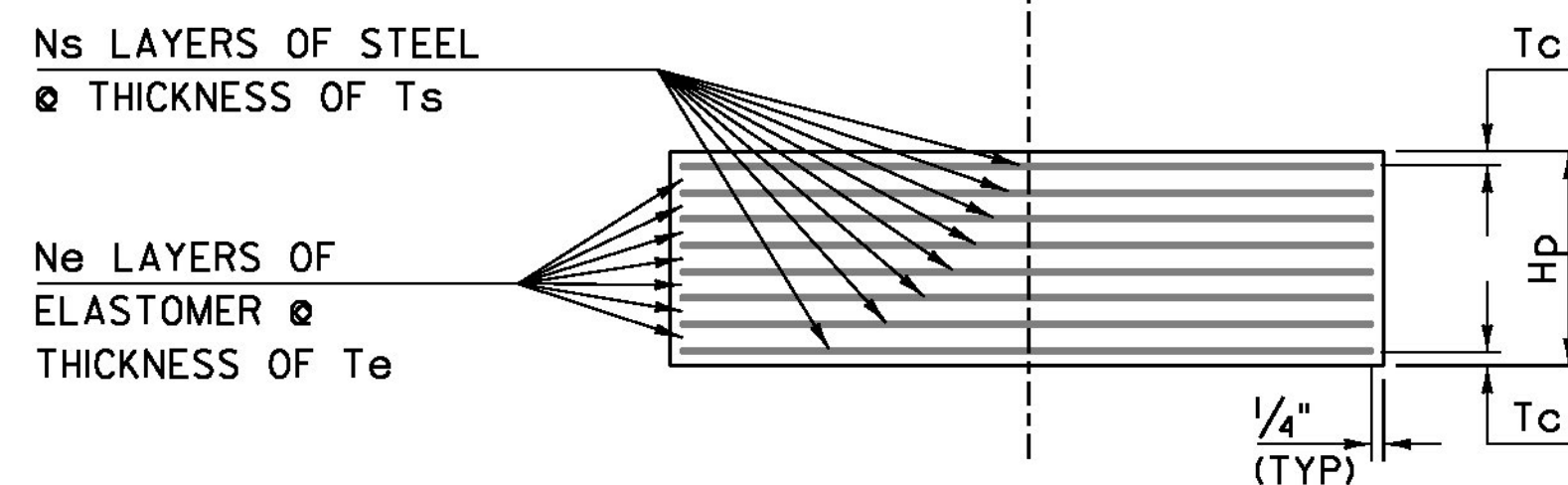
- NOTES:
1. SECTION SHOWN AT BEGIN BRIDGE, ACTUAL LOCATION MAY VARY.
  2. T2 IS ALWAYS UP STATION OF T1.
  3. VERTICAL LEG AND PLATES REMOVED FOR CLARITY.



EXPANSION BEARING TYPICAL ELEVATION  
(NTS)



SIDE RETAINER DETAILS  
(NTS)



ELASTOMERIC BEARING PAD DETAIL  
(NTS)

- NOTE:
1. SEE BEARING TABLE ON BEARING NOTES SHEET FOR DIMENSIONS.

PROJECT NAME:	HARTFORD	FILE NAME:	sl2a132bearings.dgn	PLOT DATE:	15-DEC-2014
PROJECT NUMBER:	IM 091-2(79)	PROJECT LEADER:	K. HIGGINS	DRAWN BY:	R. KLINEFELTER
		DESIGNED BY:	R. KLINEFELTER	CHECKED BY:	W. LAMMER
		BEARING DETAILS		SHEET	96 OF 166