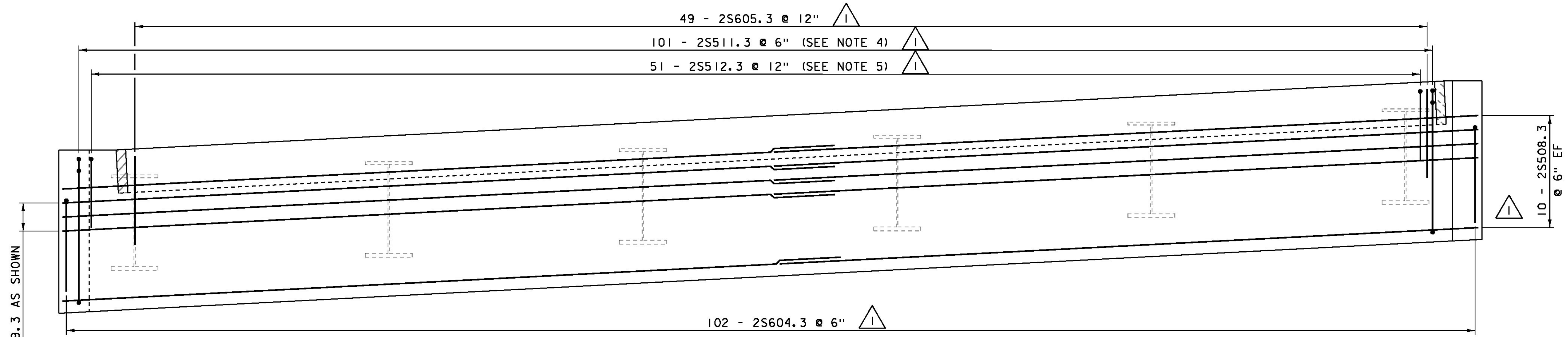


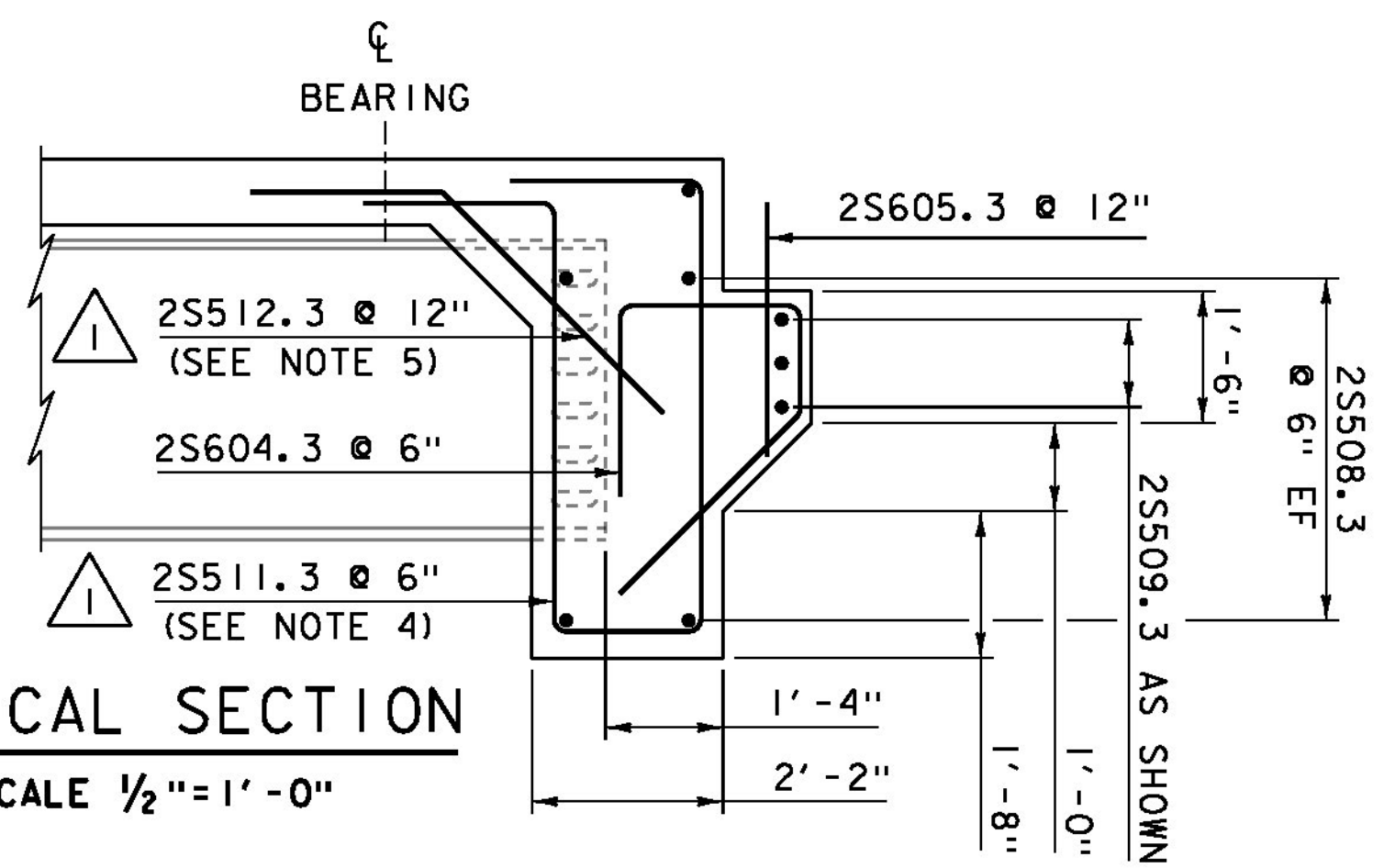
**BRIDGE 43N
SUSPENDED BACKWALL 3 PLAN**
SCALE 1/2" = 1'-0"

BACKWALL DIMENSIONS

	A	B	C	D	E	F	G	H
BACKWALL 3	30'-6 1/8"	29'-6"	28'-6 1/2"	28'-2 1/2"	20'-0 3/4"	19'-0 1/8"	18'-9 3/8"	18'-5 3/8"
BACKWALL 4	32'-4 3/8"	33'-7 3/4"	31'-10 1/8"	32'-3 3/8"	16'-10 1/8"	18'-1 1/8"	15'-7"	15'-11 3/4"



**BRIDGE 43N
SUSPENDED BACKWALL 3 ELEVATION**
SCALE 1/2" = 1'-0"



TYPICAL SECTION
SCALE 1/2" = 1'-0"

NOTE:
 NF = NEAR FACE
 FF = FAR FACE
 EF = EACH FACE
 ▲ = CUT TO FIT IN FIELD
 3" CLEAR, UNLESS OTHERWISE SPECIFIED ON THE PLANS.
 2'-2" BAR LAP FOR #5 REINFORCING

PROJECT NAME:	HARTFORD	PLOT DATE:	06-JAN-2015
PROJECT NUMBER:	IM 091-2(79)	DRAWN BY:	K. FRIEDLAND
FILE NAME:	st2a132Backwall43N.dgn	CHECKED BY:	R. KLINEFELTER
PROJECT LEADER:	K. HIGGINS	SHEET	94 OF 166
DESIGNED BY:	R. KLINEFELTER		

NOTES:

- 1) BACKWALL 3 SHOWN. BACKWALL 4 SIMILAR.
- 2) BRIDGE DECK REINFORCING NOT SHOWN FOR CLARITY.
- 3) A TEMPLATE SHALL BE USED TO LAYOUT 2S605.3 BARS TO ENSURE PROPER ALIGNMENT WITH DUCTS IN APPROACH SLABS.
- 4) AT EACH GIRDER LOCATION, BUNDLE (2) 2S511.3 BARS ON EACH SIDE OF THE GIRDER FLANGE AND OMIT THE (3) 2S511.3 BARS THAT FALL WITHIN THE WIDTH OF THE FLANGE.
- 5) AT EACH GIRDER LOCATION, OMIT (1) 2S512.3 BAR THAT FALLS WITHIN THE WIDTH OF THE FLANGE.

REVISION	DATE	DESCRIPTION	BY
1	01-06-2015	REINFORCING STEEL BAR COUNTS, NOTES, AND BACKWALL 4 DIMENSIONS	RK