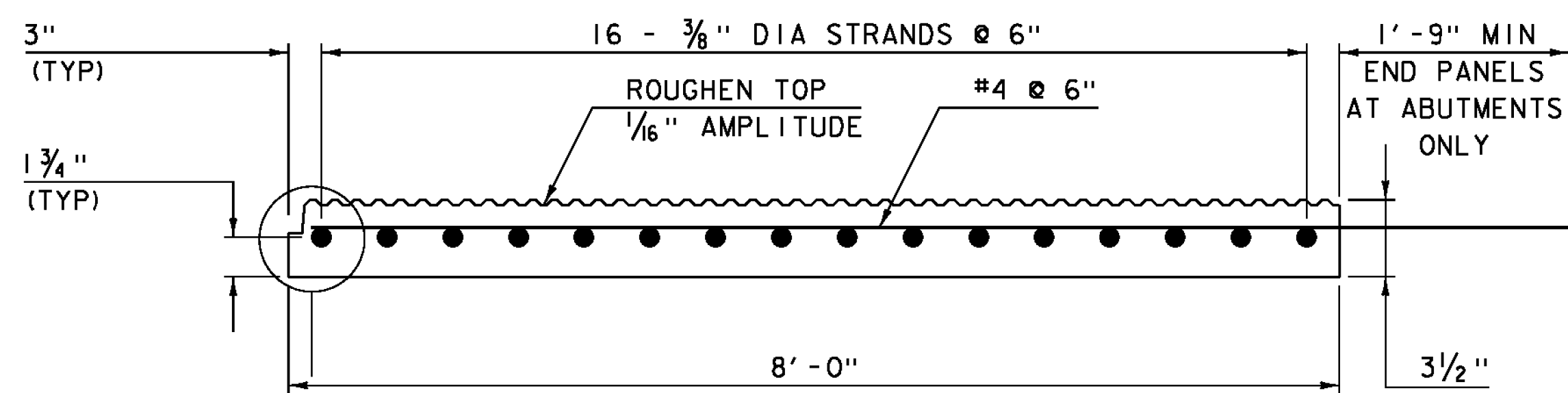


**PRECAST PRESTRESSED
CONCRETE DECK PANEL PLAN**

SCALE 1"=1'-0"

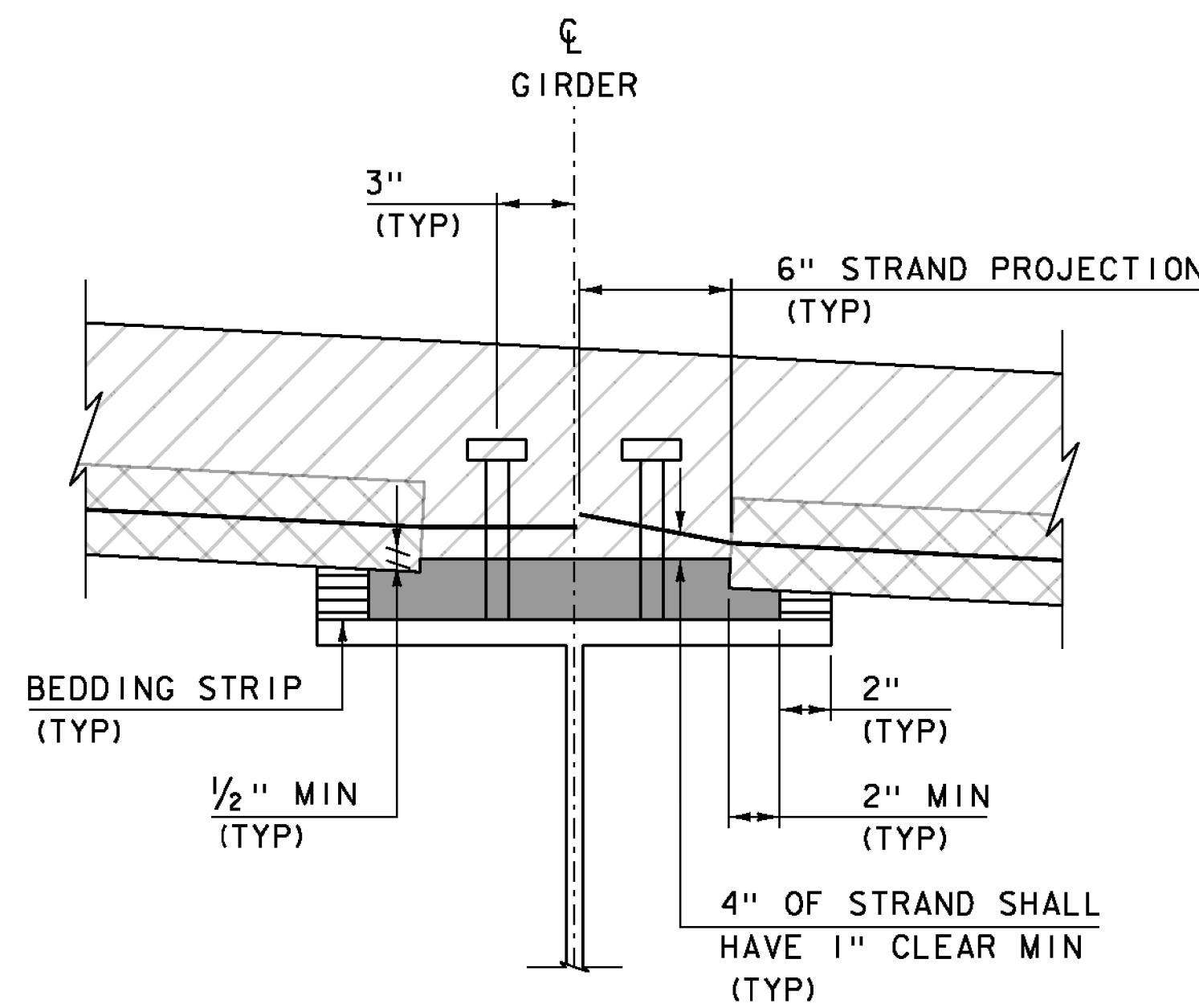


SECTION A-A

HOR. SCALE 1"=1'-0"
VER. SCALE 2"=1'-0"

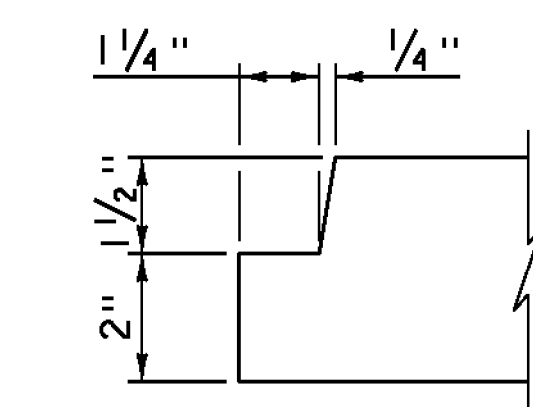
NOTES:

- 1) LIFTING DEVICE SHALL BE DESIGNED BY THE FABRICATOR.
- 2) SHEAR CONNECTORS AND STRANDS PROJECTING FROM PANELS SHALL BE CLEANED OF ANY EXCESS MORTAR AFTER GROUT BED PLACEMENT.
- 3) STRANDS PROJECTING FROM PANELS SHALL BE SECURED IN PLACE DURING DECK CONCRETE PLACEMENT.
- 4) OMIT TRANSVERSE NOTCH ON END PANELS AT ABUTMENTS.



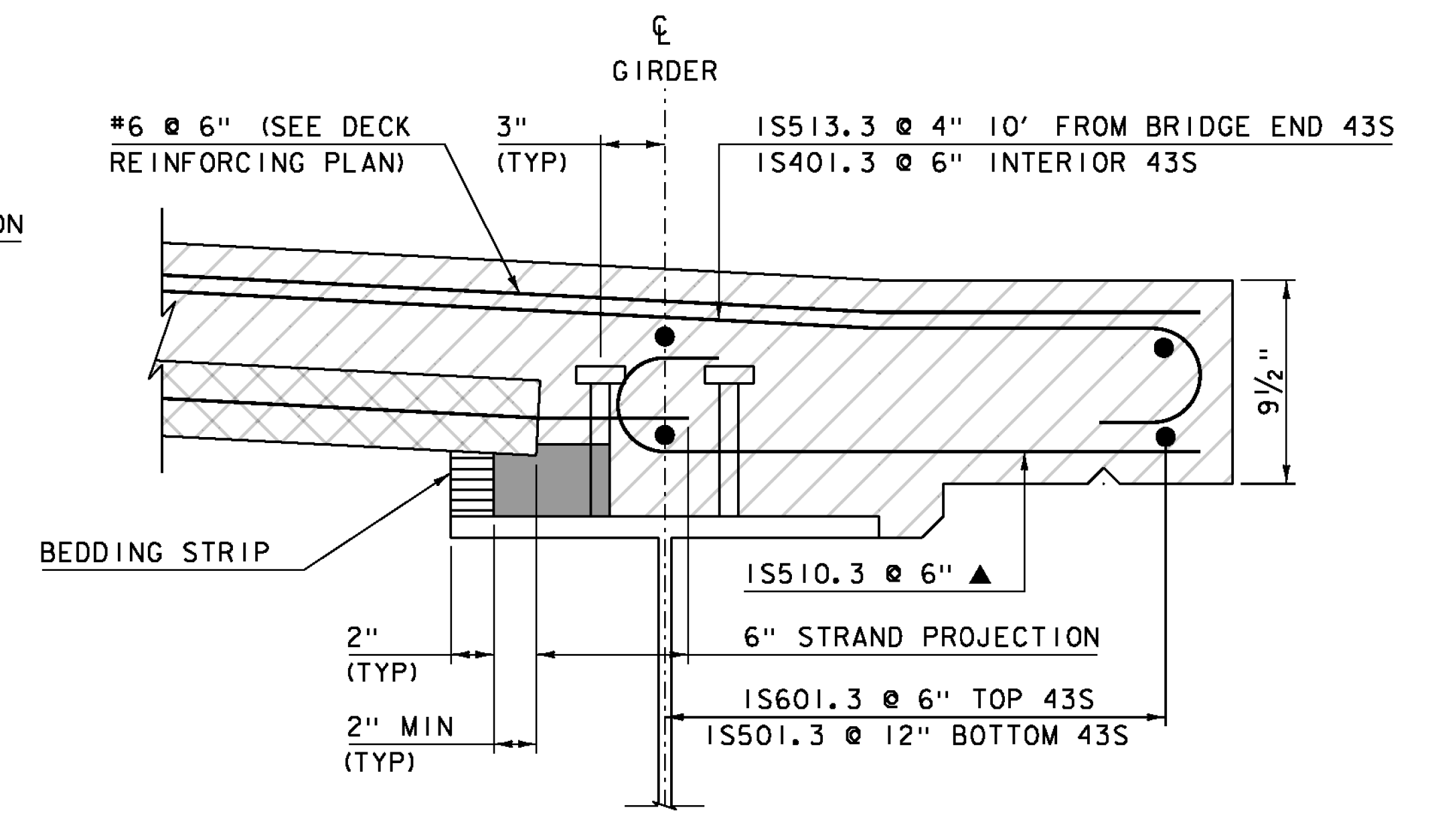
HAUNCH DETAIL

SCALE 2"=1'-0"



**TRANSVERSE
NOTCH DETAIL**

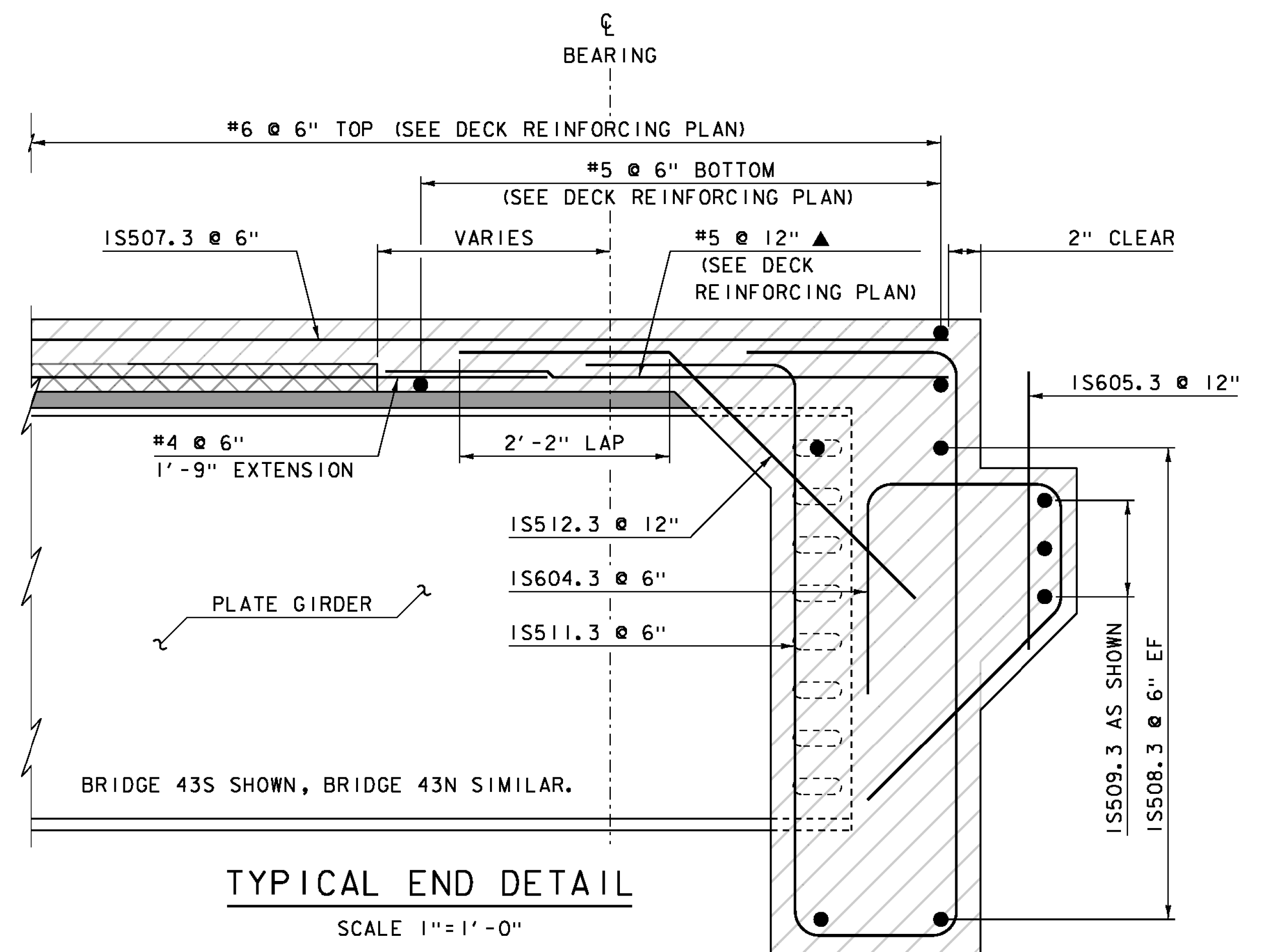
SCALE 4"=1'-0"



BRIDGE 43S SHOWN, BRIDGE 43N SIMILAR.

TYPICAL OVERHANG

SCALE 2"=1'-0"



BRIDGE 43S SHOWN, BRIDGE 43N SIMILAR.

TYPICAL END DETAIL

SCALE 1"=1'-0"

NOTE:

NF = NEAR FACE
FF = FAR FACE
EF = EACH FACE
▲ = CUT TO FIT IN FIELD
3" CLEAR, UNLESS OTHERWISE SPECIFIED ON THE PLANS.
2'-2" BAR LAP UNLESS OTHERWISE SPECIFIED ON THE PLANS.

LEGEND

- CONCRETE, HPC CLASS A
- PRECAST PRESTRESSED CONCRETE DECK PANEL
- HPC CLASS AA MORTAR, TYPE IV

PROJECT NAME:	HARTFORD	PLOT DATE:	15-DEC-2014
PROJECT NUMBER:	IM 091-2(79)	DRAWN BY:	K. FRIEDLAND
FILE NAME:	sl2ol32sup43S.dgn	CHECKED BY:	R. KLINFELTER
PROJECT LEADER:	K. HIGGINS	SUPERSTRUCTURE DETAILS	SHEET 92 OF 166