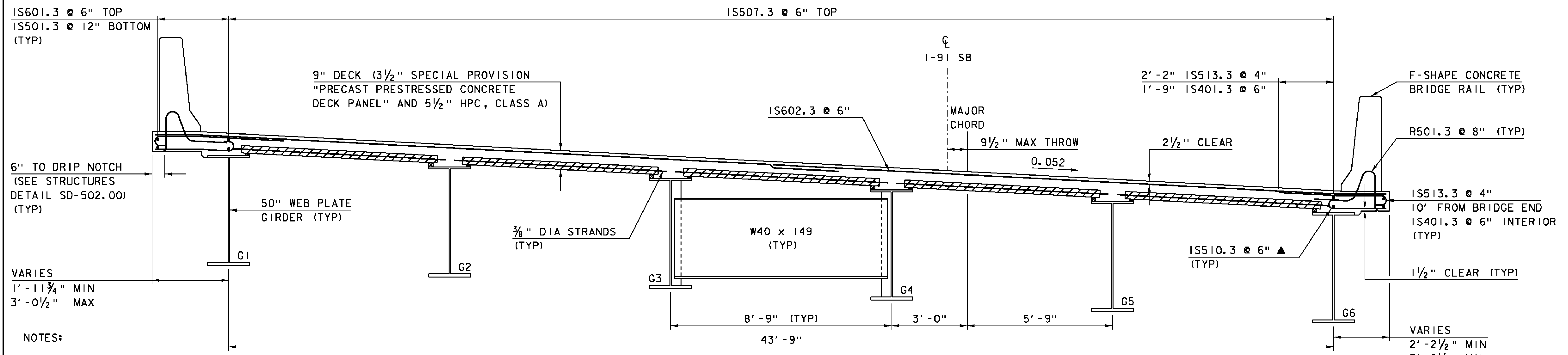


BRIDGE 43S DECK REINFORCING PLAN

SCALE 1/8" = 1'-0"



BRIDGE 43S TYPICAL DECK REINFORCEMENT

SCALE 1/2" = 1'-0"

- NOTES:
- 1) SPLICES FOR TOP TRANSVERSE AND LONGITUDINAL DECK REINFORCING STEEL SHALL NOT BE LOCATED OVER PANEL JOINTS.
 - 2) PRIOR TO PLACING THE DECK CONCRETE, LAITANCE OR OTHER CONTAMINATES THAT WOULD INTERFERE WITH FULL BOND TO THE PANELS SHALL BE REMOVED BY AN APPROVED METHOD PER SECTION 510.12 (b) (4).
 - 3) PRIOR TO PLACING THE DECK CONCRETE, THE PRECAST PRESTRESSED CONCRETE DECK PANELS SHALL BE WETTED IN ACCORDANCE WITH SECTION 501.10 (d).

NOTE:
 NF = NEAR FACE
 FF = FAR FACE
 EF = EACH FACE
 ▲ = CUT TO FIT IN FIELD
 3" CLEAR, UNLESS OTHERWISE SPECIFIED ON THE PLANS.
 2'-2" BAR LAP FOR #5 REINFORCING
 2'-7" BAR LAP FOR #6 REINFORCING

REVISION	DATE	DESCRIPTION	BY
1	01-06-2015	REINFORCING STEEL BAR COUNTS AND DIMENSIONS TO DECK PANELS	RK

PROJECT NAME:	HARTFORD	PLOT DATE:	06-JAN-2015
PROJECT NUMBER:	IM 091-2(79)	DRAWN BY:	K. FRIEDLAND
FILE NAME:	sl2ol32sup435.dgn	CHECKED BY:	R. KLINEFELTER
DESIGNED BY:	R. KLINEFELTER		
43S DECK REINFORCING PLAN			SHEET 90 OF 166