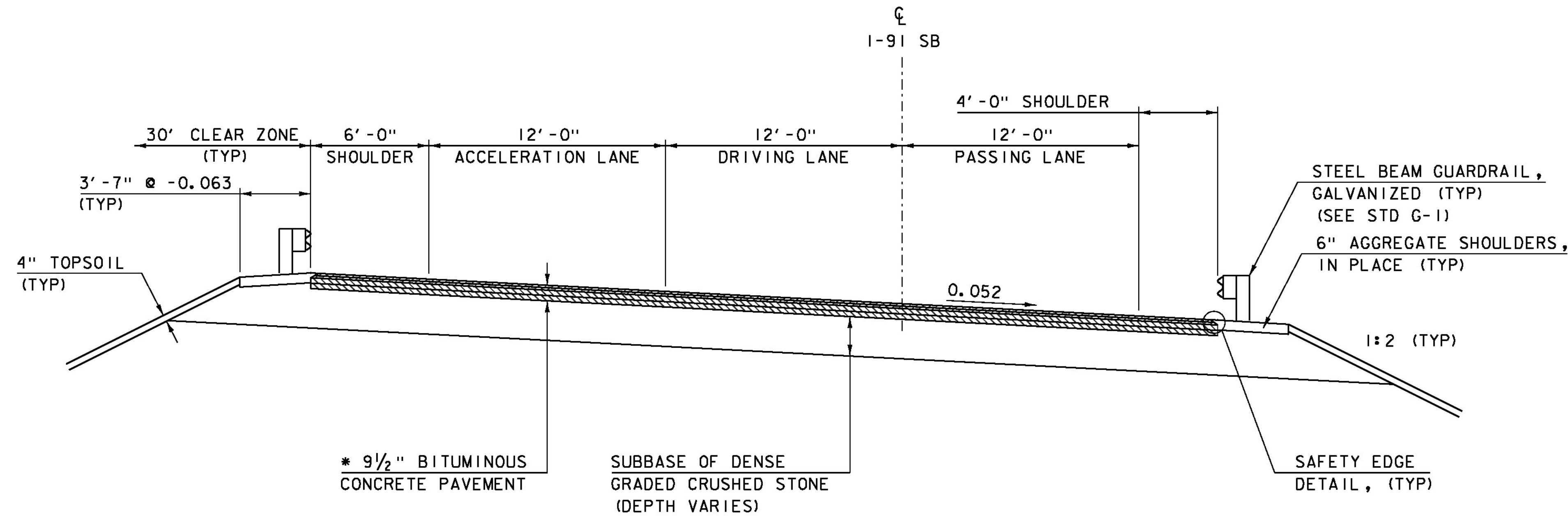
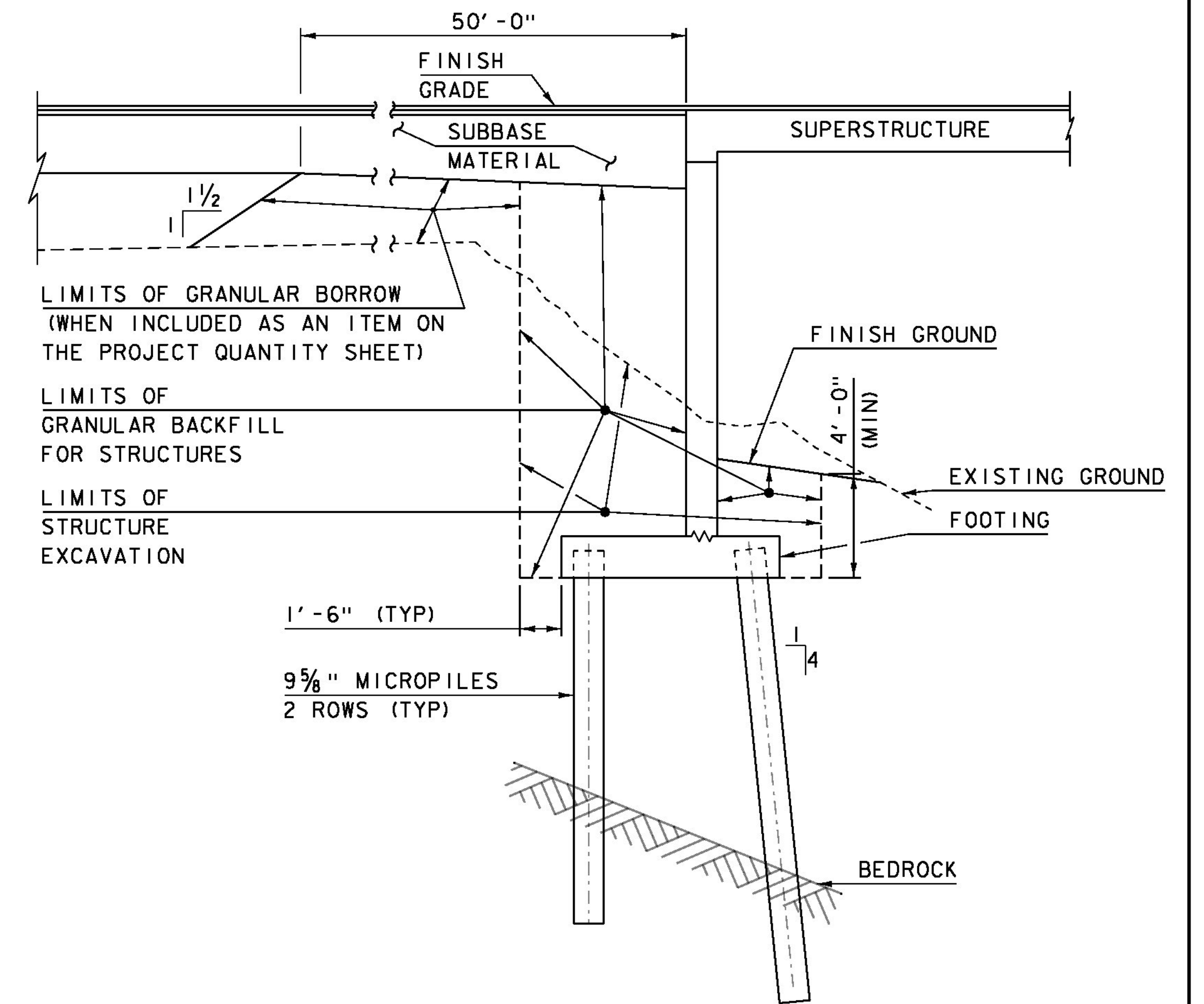


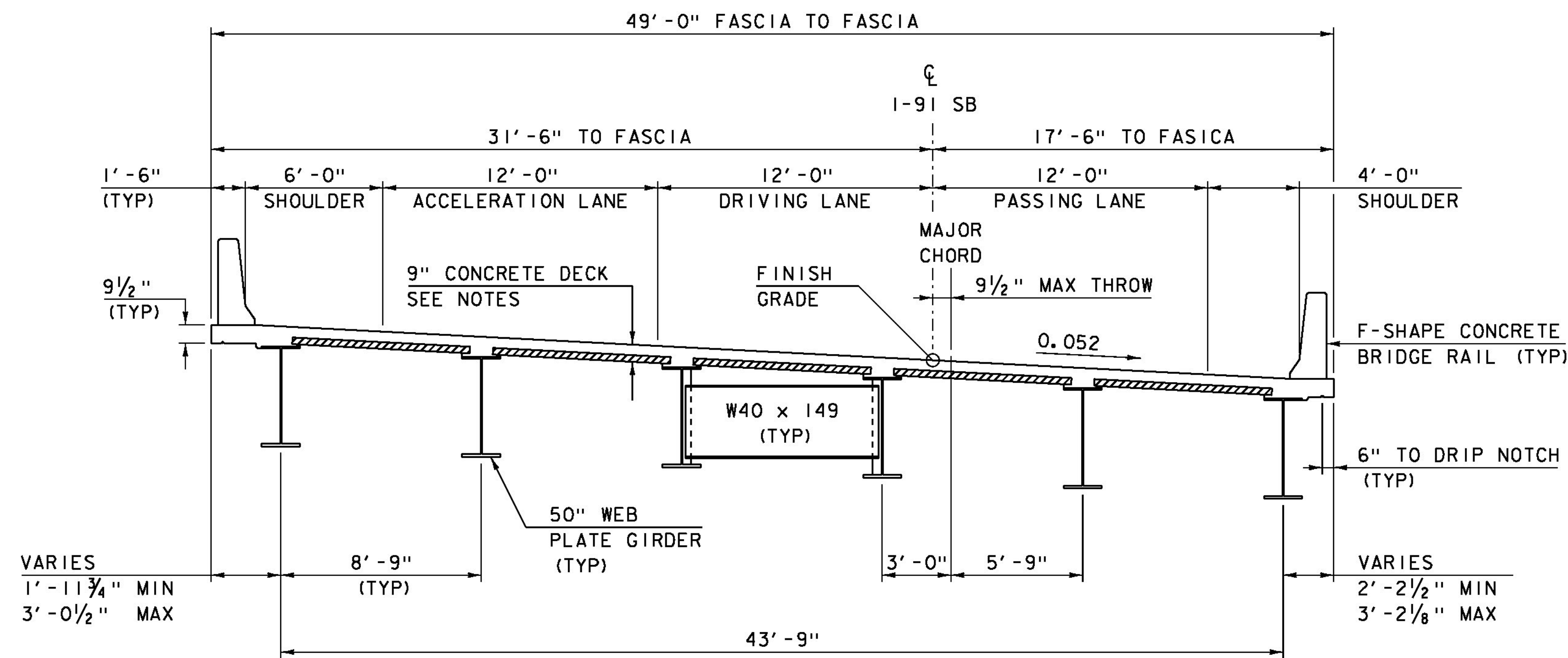
- * 1 1/2" SUPERPAVE BITUMINOUS CONCRETE PAVEMENT, TYPE IVS OVER
- 1 1/2" SUPERPAVE BITUMINOUS CONCRETE PAVEMENT, TYPE IVS OVER
- 3 1/4" SUPERPAVE BITUMINOUS CONCRETE PAVEMENT, TYPE IIS OVER
- 3 1/4" SUPERPAVE BITUMINOUS CONCRETE PAVEMENT, TYPE IIS



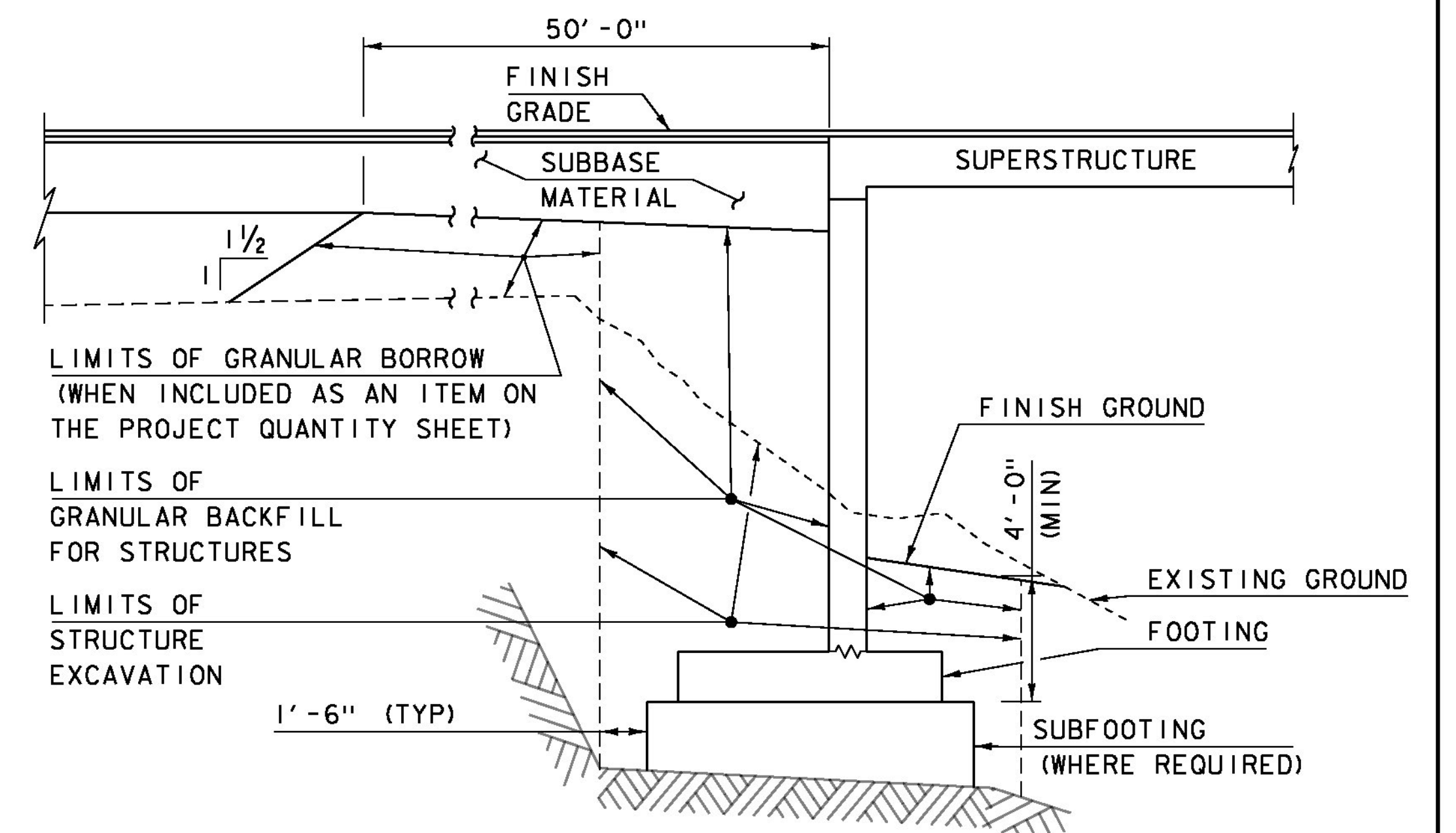
I-91 SOUTHBOUND TYPICAL SECTION
SCALE: 1/4" = 1'-0"



TYPICAL EARTHWORK SECTION FOR ABUTMENT ON MICROPILES
NOT TO SCALE



BRIDGE 43S TYPICAL SECTION
SCALE: 1/4" = 1'-0"



TYPICAL EARTHWORK SECTION FOR ABUTMENT ON SPREAD FOOTING
NOT TO SCALE

NOTES:

- 1) 9" DECK (3 1/2" SPECIAL PROVISION "PRECAST PRESTRESSED CONCRETE DECK PANEL" AND 5 1/2" HPC, CLASS A)

PROJECT NAME: HARTFORD
PROJECT NUMBER: IM 091-2(79)

FILE NAME: s12a132typical.dgn
PROJECT LEADER: K. HIGGINS
DESIGNED BY: W. LAMMER
TYPICAL SECTIONS 2

PLOT DATE: 15-DEC-2014
DRAWN BY: K. FRIEDLAND
CHECKED BY: J. SALVATORI
SHEET 14 OF 166