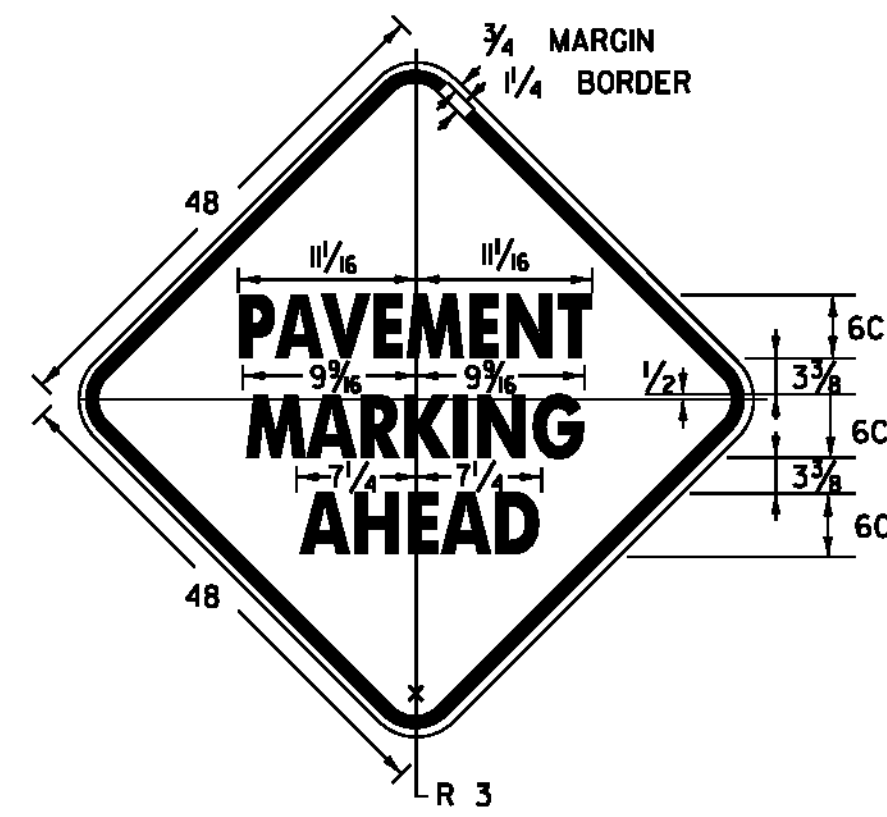


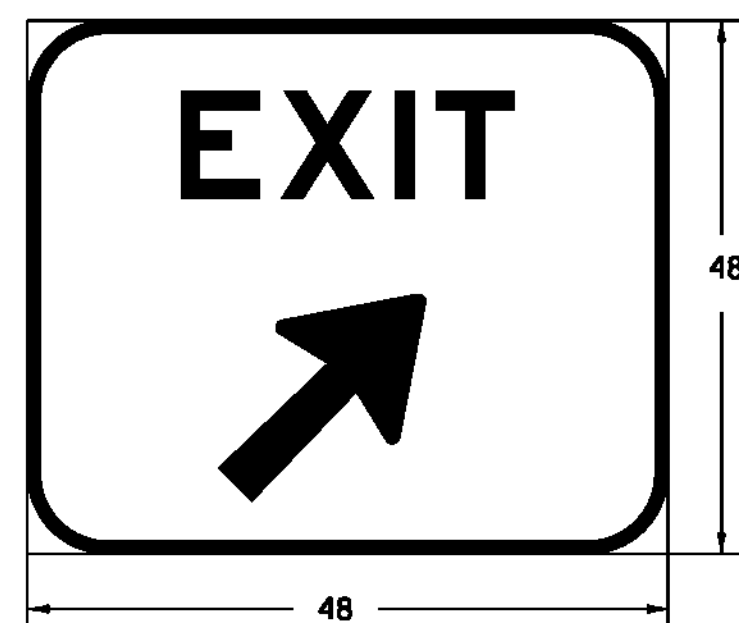
# TRAFFIC CONTROL DEVICES



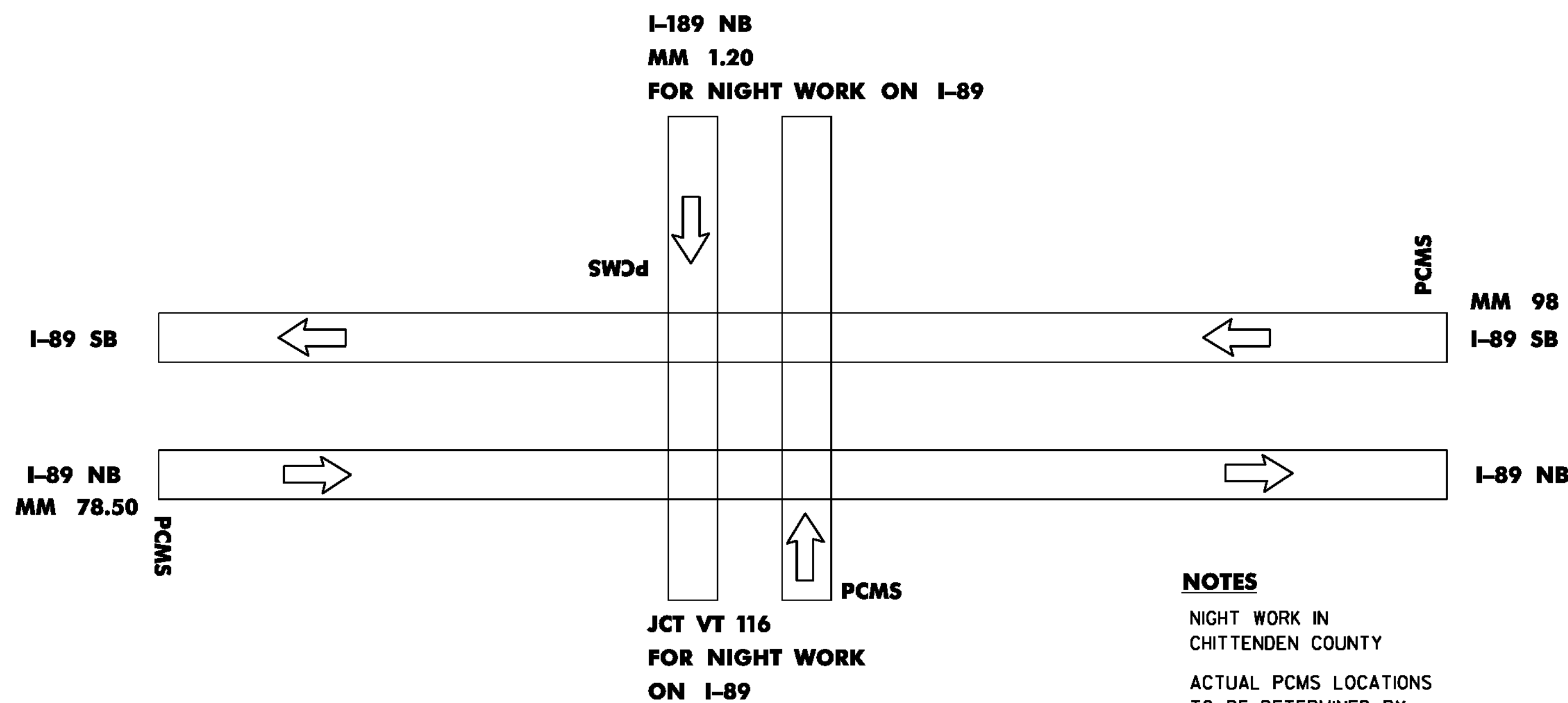
**VC-813**

**COLORS**

BORDER AND TEXT - BLACK  
BACKGROUND - ORANGE  
(RETROREFLECTIVE)



SEE TYPICAL APPLICATION 42  
MUTCD 2009 (REV.)



## PCMS PLACEMENT FOR NIGHT WORK IN CHITTENDEN COUNTY

PCMS=PORTABLE CHANGEABLE MESSAGE SIGNS

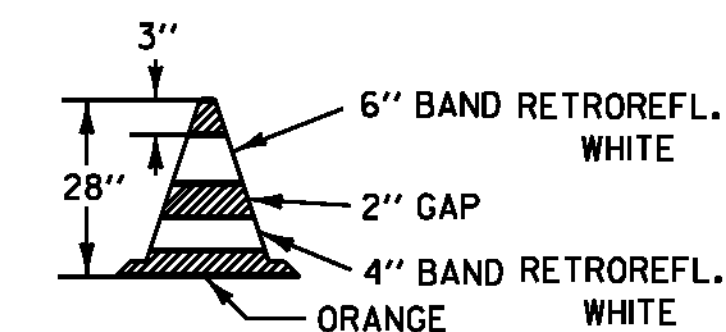
➔ = DIRECTION OF TRAVEL

### NOTES

NIGHT WORK IN  
CHITTENDEN COUNTY

ACTUAL PCMS LOCATIONS  
TO BE DETERMINED BY  
THE ENGINEER

I-89 NIGHT WORK  
MM 78.50 - MM 98.00  
EXIT 11 - EXIT 17  
INCLUDES ALL RAMPS



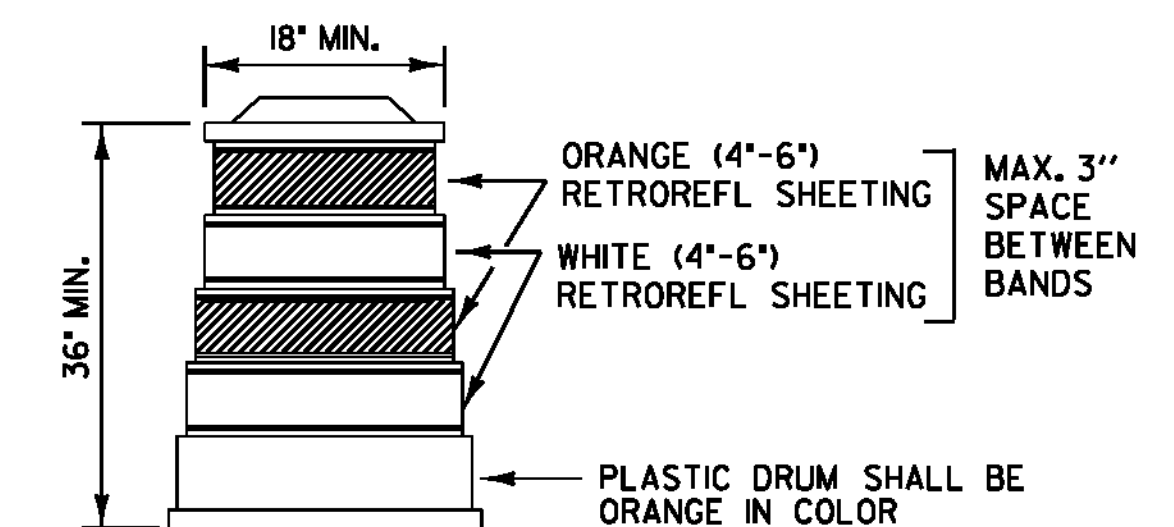
### NOTES

- 28" CONES SHALL BE USED ON ROADWAYS WITH SPEED LIMITS OF 35 MPH OR MORE AND ON ALL ROADWAYS DURING HOURS OF DARKNESS.
- CONES MAY BE WEIGHTED TO PREVENT OVERTURNING, HOWEVER THE WEIGHTS SHALL NOT PRESENT A HAZARD IF THE CONE IS STRUCK.
- RETROREFLECTIVE SHEETING SHALL BE AT A MINIMUM ASTM TYPE III.

### 28" REFLECTORIZED CONE

### NOTES

- SAND BAGS OR AN APPROPRIATE BALLASTING DEVICE, WHICH DOES NOT PRESENT A HAZARD TO THE IMPACTING VEHICLE OR BECOME A PROJECTILE UPON IMPACT, SHALL BE USED TO WEIGHT DRUMS.
- RETROREFLECTIVE SHEETING SHALL BE AT A MINIMUM ASTM TYPE III.



### REFLECTORIZED PLASTIC DRUM

### NOTES

- PCMS ARE TO BE PLACED ONE WEEK PRIOR TO COMMENCING NIGHT APPLICATIONS AND REMAIN UNTIL NIGHT APPLICATIONS HAVE ENDED.
- ALL SIGNS SHALL BE PORTABLE. ALL SIGN SUPPORT SYSTEMS SHALL BE NCHRP-350 OR MASH COMPLIANT. ALL SIGNS SHALL BE PLACED BEFORE ANY WORK BEGINS OR EQUIPMENT IS PUT IN THE ROADWAY. SIGNS SHALL BE COVERED OR REMOVED WHEN NOT APPLICABLE.
- PORTABLE SIGNS SHALL BE KEPT LEVEL AND VERTICAL TO THE TRAVELING PUBLIC WHEN PLACED ON THE EDGE OF ROADWAY.
- SAND BAGS OR AN APPROPRIATE BALLASTING DEVICE WHICH DOES NOT PRESENT A HAZARD TO THE IMPACTING VEHICLE OR BECOME A PROJECTILE UPON IMPACT, MAY BE USED TO WEIGHT SIGNS.
- ALL SIGNING AND DELINEATION DEVICES, AS DETAILED ON THIS SHEET, AND AS REQUIRED BY THE ENGINEER, SHALL BE PAID UNDER ITEM 641.10 (TRAFFIC CONTROL).
- WARNING LIGHTS SHALL NOT BE USED ON CHANNELIZING DEVICES.

NOT TO SCALE

**TRAFFIC  
CONTROL  
DEVICES**

PROJECT NAME: STATEWIDE  
PROJECT NUMBER: IMG MARK (112)

FILE NAME: 11k274.dgn  
PROJECT LEADER: A GAMBLE  
IPARM FLIE: 11k274tcd.i

PLOT DATE: 25-JAN-2012  
DRAWN BY: KAS  
SHEET 8 OF 29