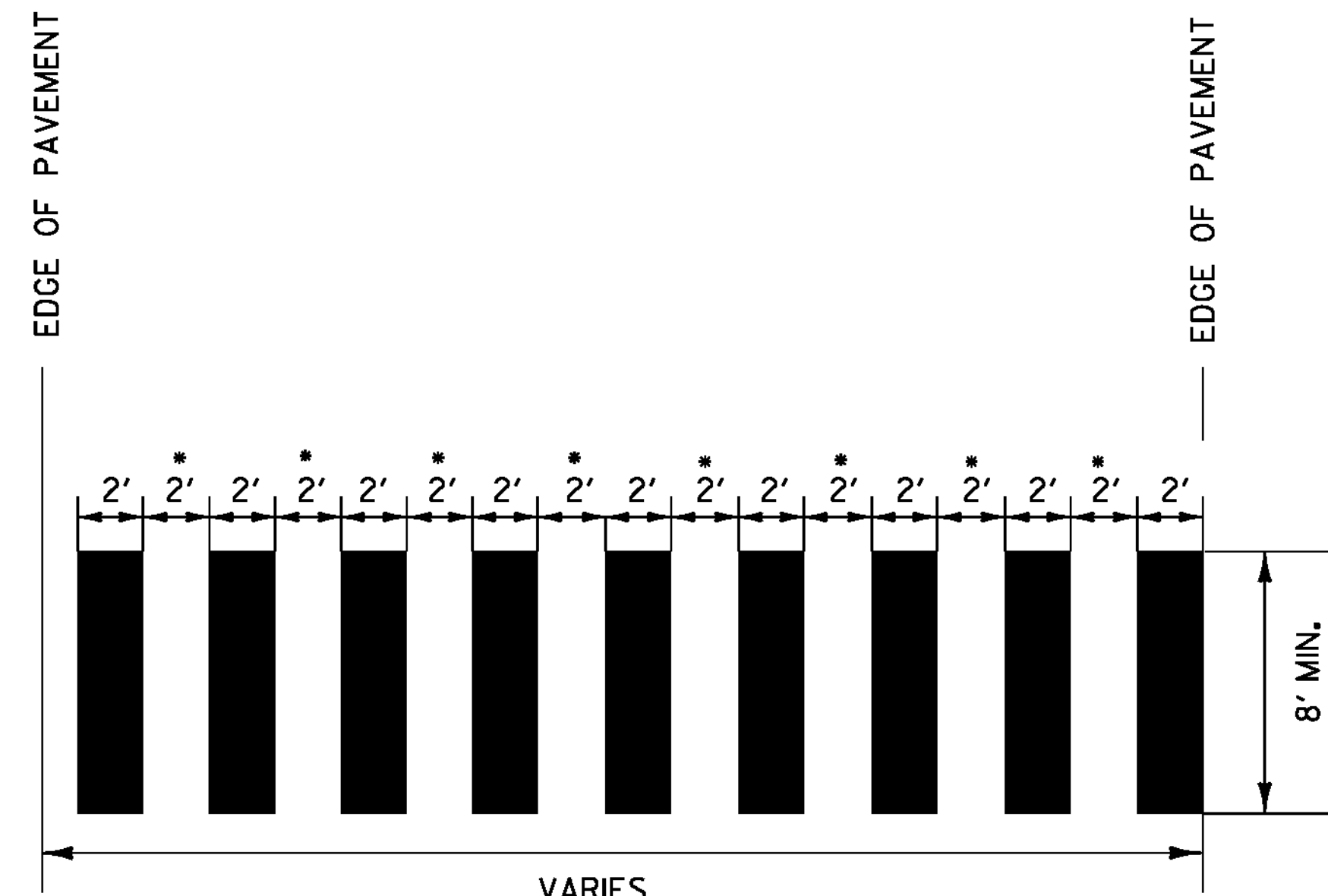
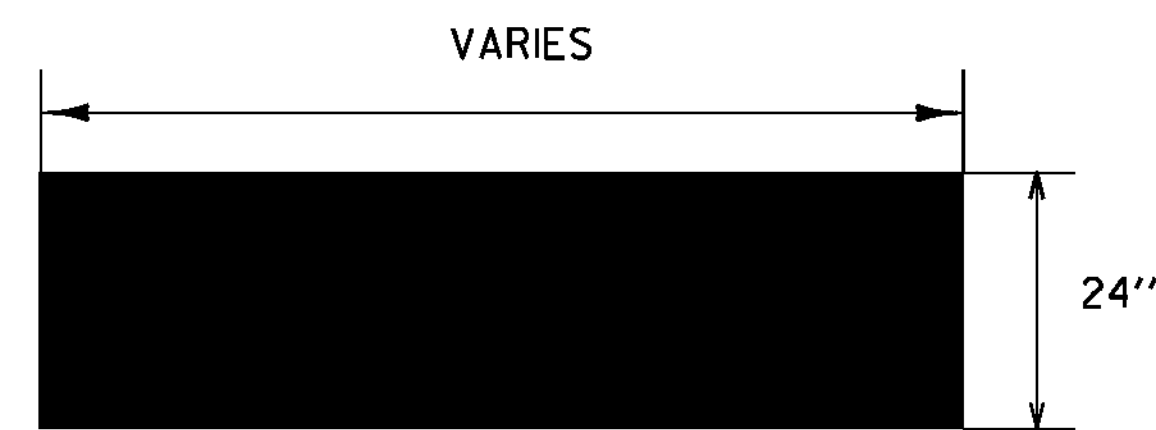


TYPICAL PAVEMENT MARKINGS

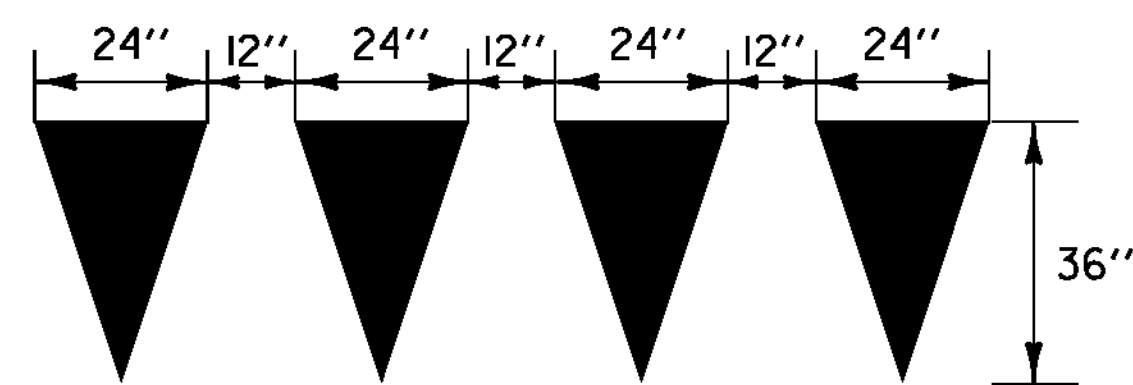


• ADJUST SPACING (12"-24") TO AVOID WHEEL PATHS

BLOCK PATTERN CROSSWALK DETAIL

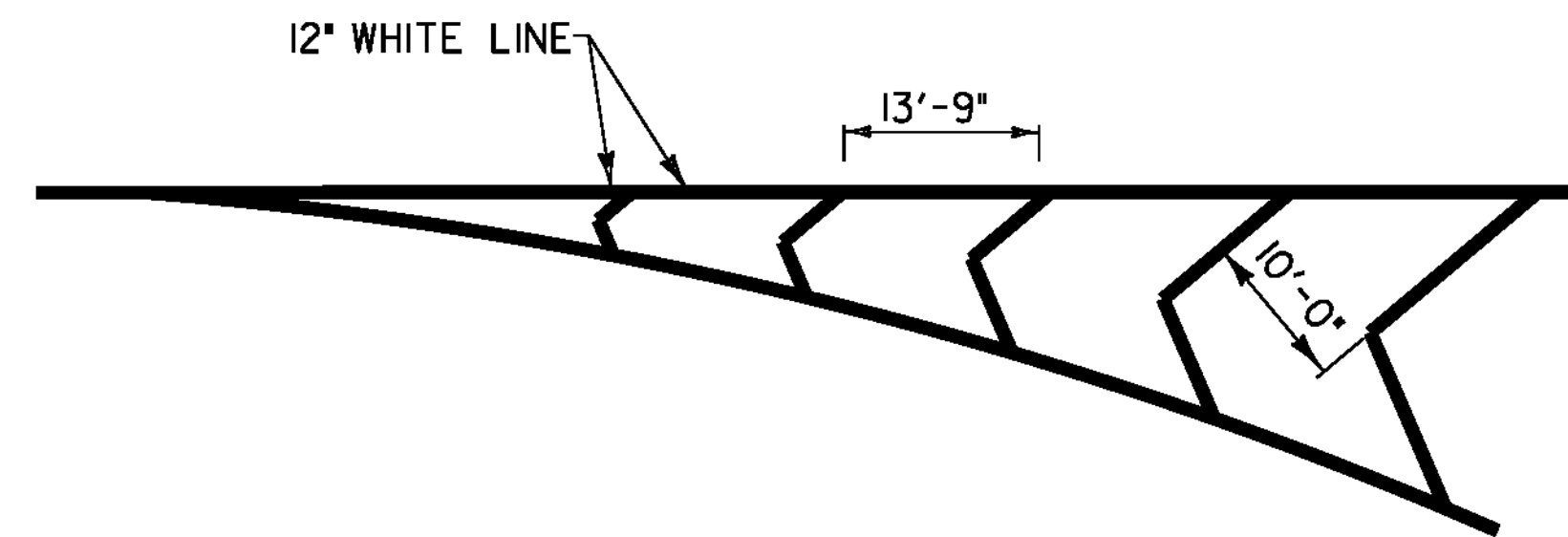


STOP BAR DETAIL

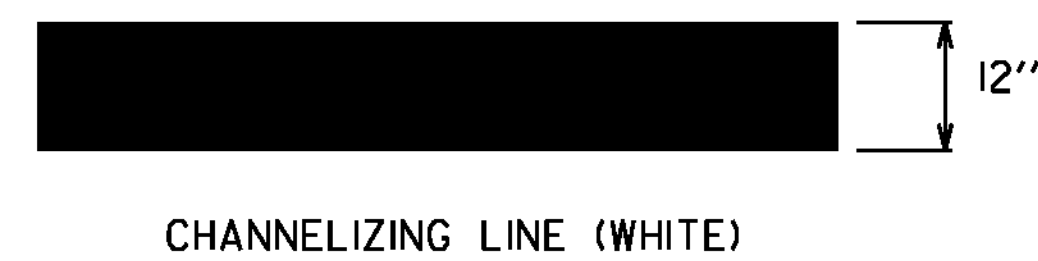
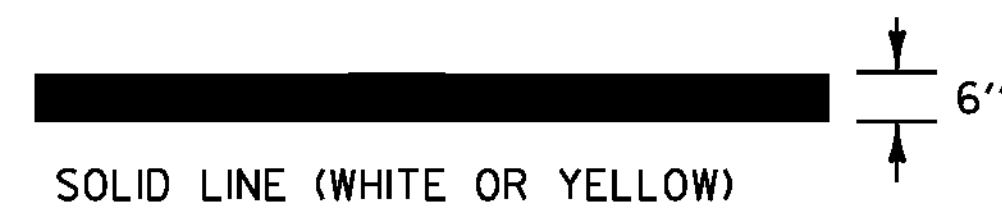
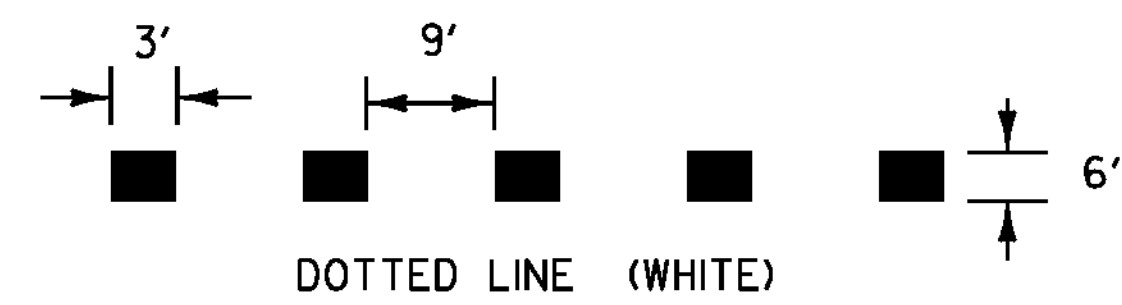


YIELD LINE DETAILS

TO BE INSTALLED ONLY AT THE DIRECTION OF THE ENGINEER
TO BE PAID AS ONE LETTER OR SYMBOL PER TRIANGLE

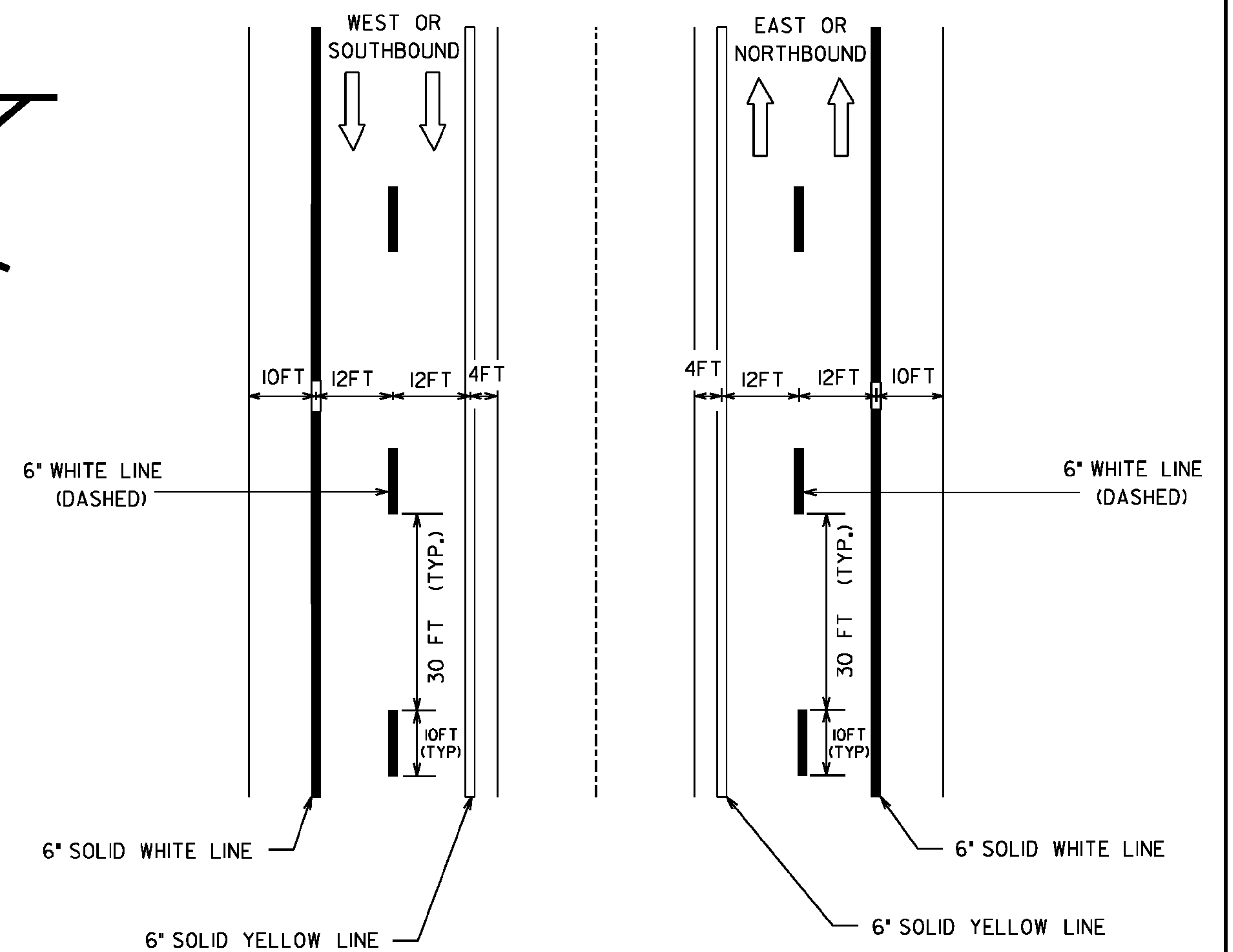


CHEVRON GORE MARKING DETAIL



TYPICAL TWO-WAY RAMP CENTERLINE MARKING

PAVEMENT MARKING LINE DETAILS



TYPICAL MAINLINE MARKING PLAN

NOT TO SCALE

TYPICAL PAVEMENT MARKINGS SHEET 2

PROJECT NAME: STATEWIDE	PLOT DATE: 25-JAN-2012
PROJECT NUMBER: IMG MARK (I12)	DRAWN BY: KAS
FILE NAME: 11k274.dgn	SHEET 4 OF 29
PROJECT LEADER: A GAMBLE	
IPARM FLIE: 11k274pm2.i	