

TEMPORARY 6 INCH WHITE LINE, PAINT
 DURABLE 6 INCH WHITE LINE, POLYUREA
 RAMP C SOLID RT 1104'
 132.815 TO 132.939 DOTTED LT 650'

TEMPORARY 6 INCH YELLOW LINE, PAINT
 DURABLE 6 INCH YELLOW LINE, POLYUREA
 RAMP C SOLID LT 1092'

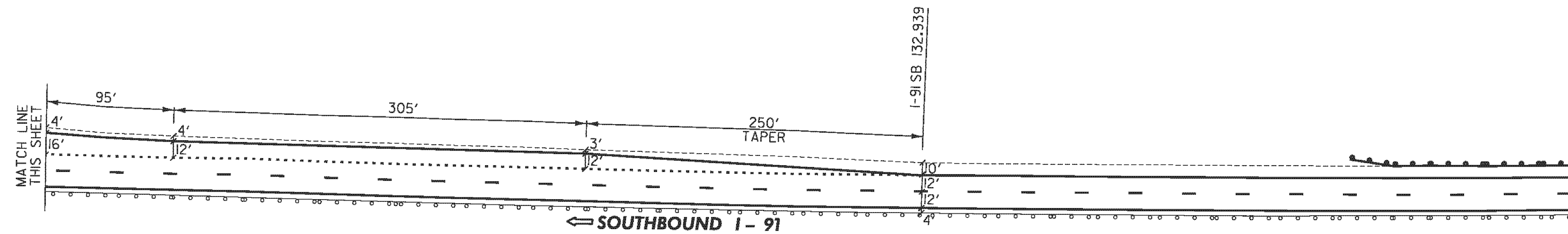
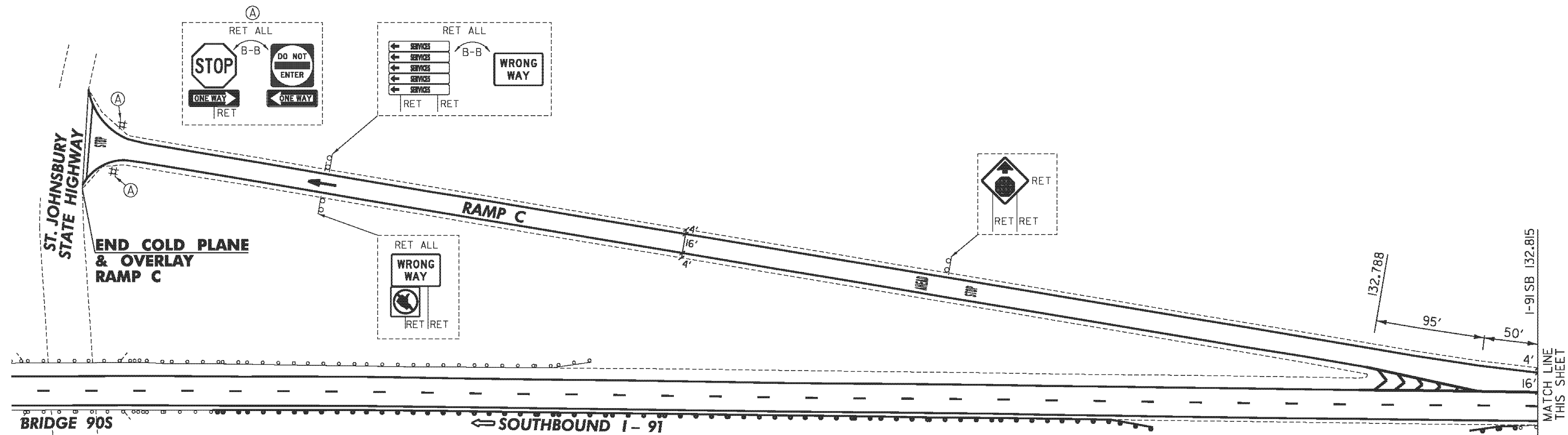
TEMPORARY 12 INCH WHITE LINE, PAINT
 DURABLE 12 INCH WHITE LINE, POLYUREA

I-91 SOLID RT 149'
 RAMP C SOLID LT 95'
 RAMP C SOLID LT (GORE STRIPES) 77'

TEMPORARY 24 INCH STOP BAR, PAINT
 DURABLE 24 INCH STOP BAR (OPTION BID ITEM)
 RAMP C 63'

TEMPORARY LETTER OR SYMBOL, PAINT
 DURABLE LETTER OR SYMBOL (OPTION BID ITEM)

RAMP C "STOP"
 RAMP C "AHEAD"
 RAMP C WRONG WAY ARROW
 RAMP C "STOP"



EXIT 22 SOUTHBOUND DETAIL SHEET 1

PROJECT NAME:	ST. JOHNSBURY-LYNDON	FILE NAME:	11a346/cos/z11a346Int22sbl.dgn	PLOT DATE:	10/17/2013
PROJECT NUMBER:	IM 091-3(50)	PROJECT LEADER:	PTS	DRAWN BY:	JLS
		DESIGNED BY:	NLL	CHECKED BY:	PTS
		IPARM FILE NAME:	pl1a346_52	SHEET	52 OF 72

NOT TO SCALE