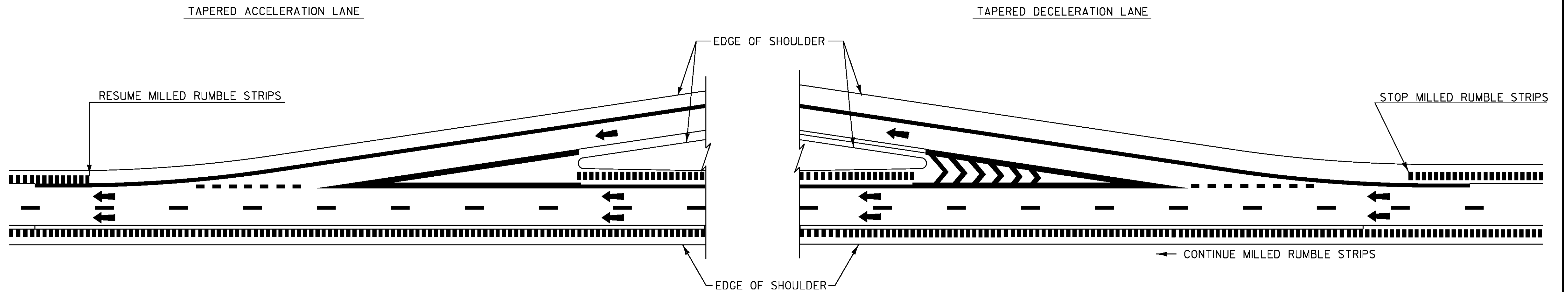
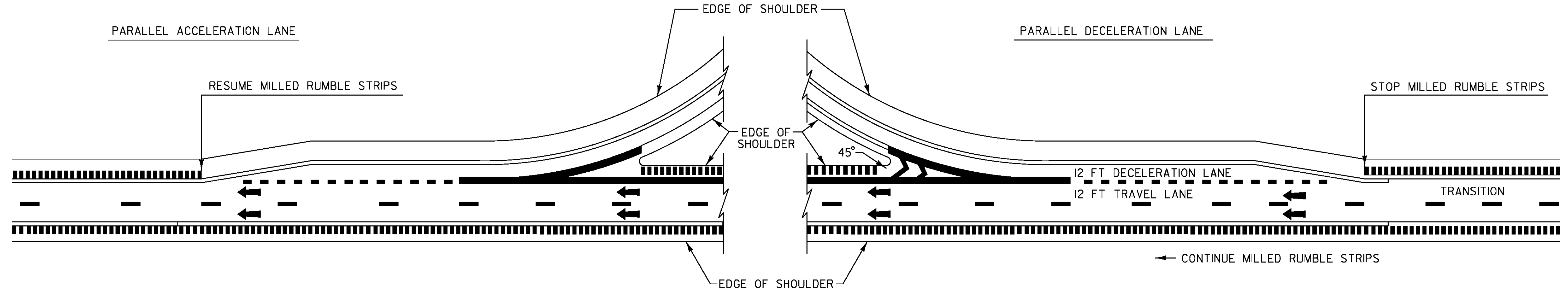


TYPICAL MILLED RUMBLE STRIP DETAIL AT INTERCHANGES

NOTE

1. THIS TYPICAL MAY BE MODIFIED AT THE DISCRETION OF THE ENGINEER IF ACTUAL FIELD CONDITIONS NECESSITATE SUCH ACTIONS.



NOT TO SCALE

LEGEND

- DIRECTION OF TRAFFIC FLOW
- MILLED RUMBLE STRIPS

MILLED RUMBLE STRIP DETAIL SHEET 2

PROJECT NAME: ST. JOHNSBURY-LYNDON	PLOT DATE: 10/17/2013
PROJECT NUMBER: IM 091-3(50)	DRAWN BY: SNG
FILE NAME: Ila346/cos/zlla346frm.dgn	CHECKED BY: PTS
PROJECT LEADER: PTS	SHEET 37 OF 72
DESIGNED BY: NLL	
IPARM FILE NAME: plla346_37	