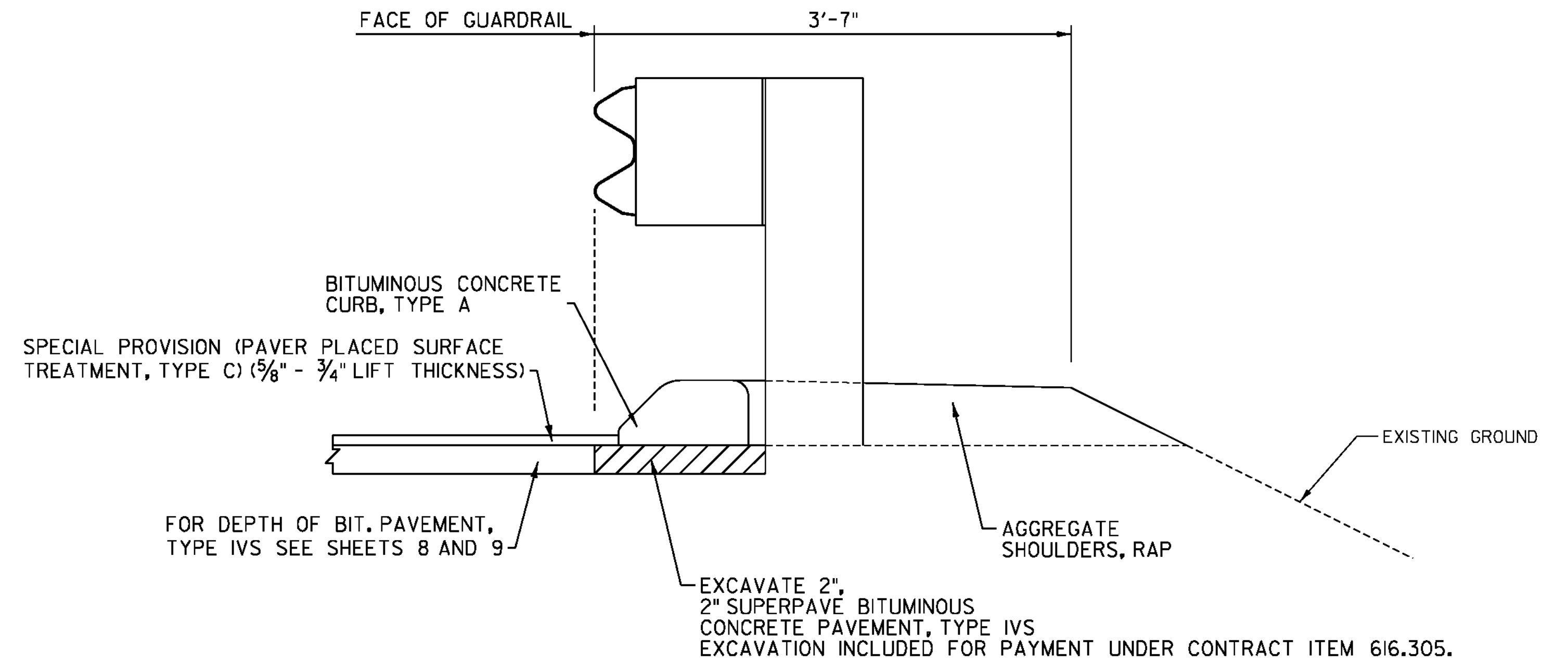
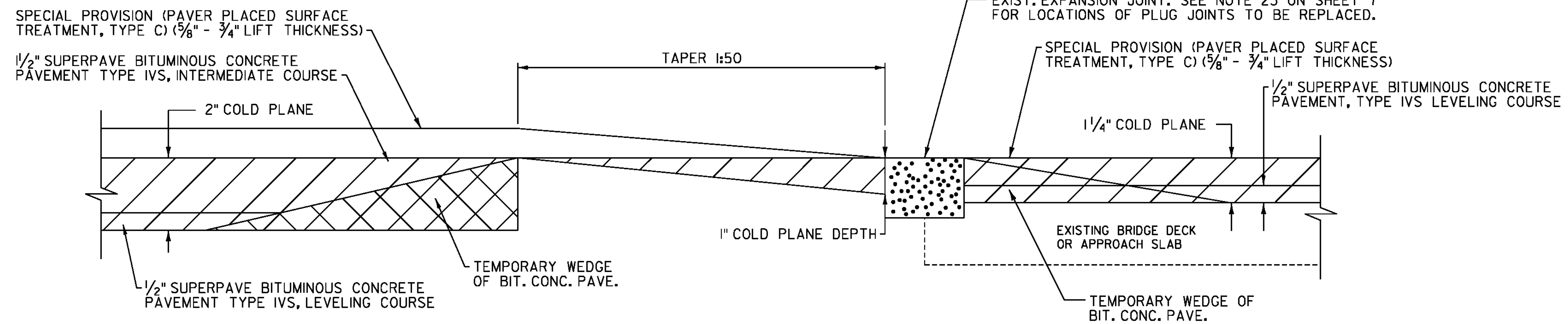


BRIDGE NO.	STOP COLD PLANING AND PAVING	BRIDGE JOINT	BRIDGE JOINT	RESUME COLD PLANING AND PAVING
BR 83 NB	MM 128.890	MM 128.909	MM 128.950	MM 128.976
BR 83 SB	MM 128.867	MM 128.886	MM 128.927	MM 128.945
BR 84 NB	MM 129.747	MM 129.773	MM 129.790	MM 129.816
BR 84 SB	MM 129.748	MM 129.766	MM 129.782	MM 129.800
BR 91 NB	MM 133.984	MM 134.010	MM 134.049	MM 134.075
BR 91 SB	MM 134.016	MM 134.034	MM 134.074	MM 134.093
BR 92 NB	MM 136.518	MM 136.544	MM 136.586	MM 136.612
BR 92 SB	MM 136.564	MM 136.591	MM 136.645	MM 136.671
BR 93 SB	MM 137.120	MM 137.146	MM 137.166	MM 137.193

**BRIDGE APPROACH  
STOP /RESUME WORK DETAIL**



**BITUMINOUS CONCRETE  
CURB, TYPE A DETAIL**



**BRIDGE APPROACH & COLD PLANE DETAIL**

LOCATION  
 ST. JOHNSBURY: BRIDGE 90S MM 132.577  
 ST. JOHNSBURY: BRIDGE 90S MM 132.592

NOT TO SCALE

**PROJECT TYPICAL SHEET 4**

PROJECT NAME: ST. JOHNSBURY-LYNDON

PROJECT NUMBER: IM 091-3(50)

FILE NAME: Ila346/cos/zlla346+yp.dgn

PROJECT LEADER: PTS

DESIGNED BY: NULL

IPARM FILE NAME: plla346\_II

PLOT DATE: 10/17/2013

DRAWN BY: SNG

CHECKED BY: PTS

SHEET II OF 72