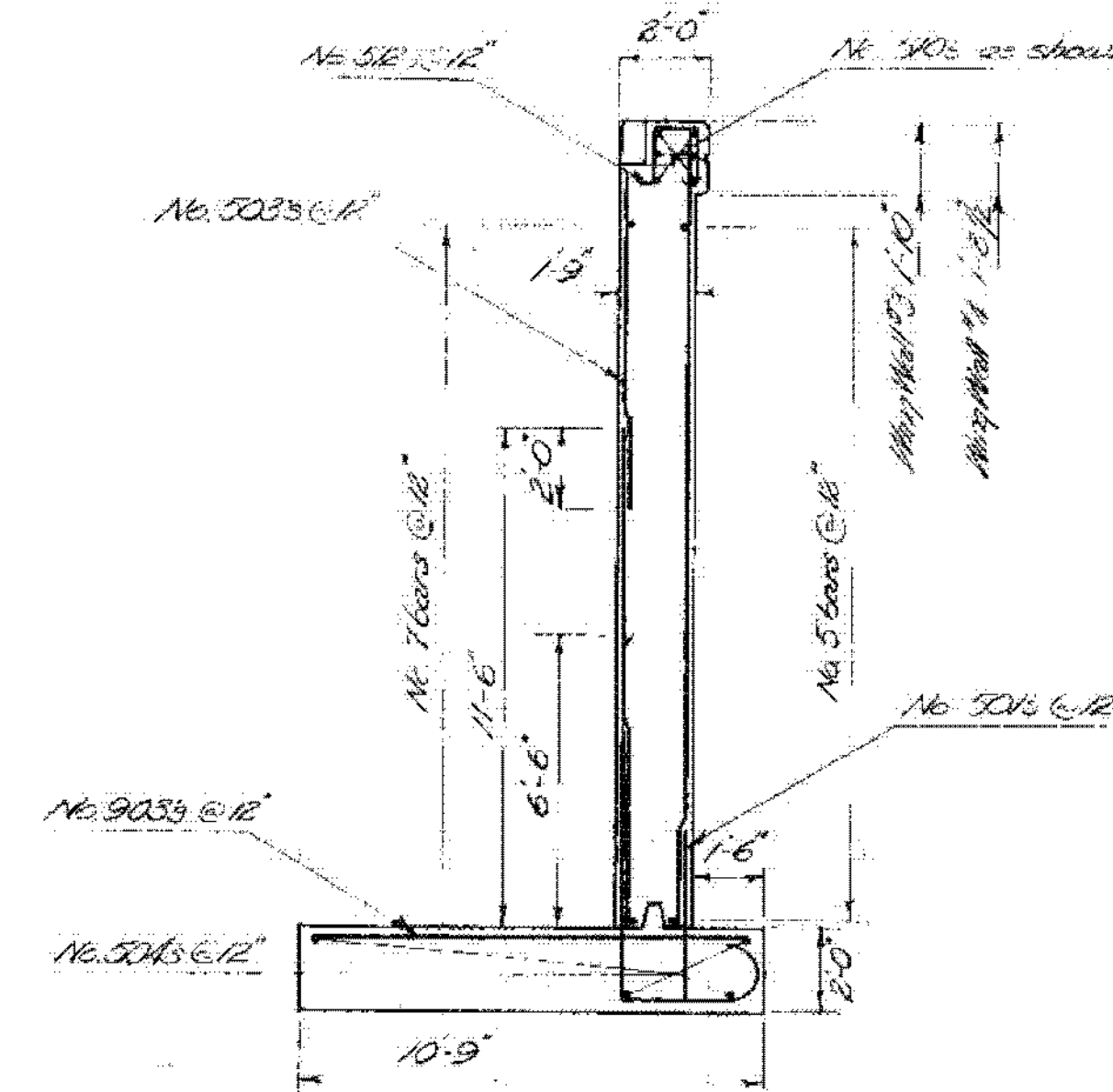
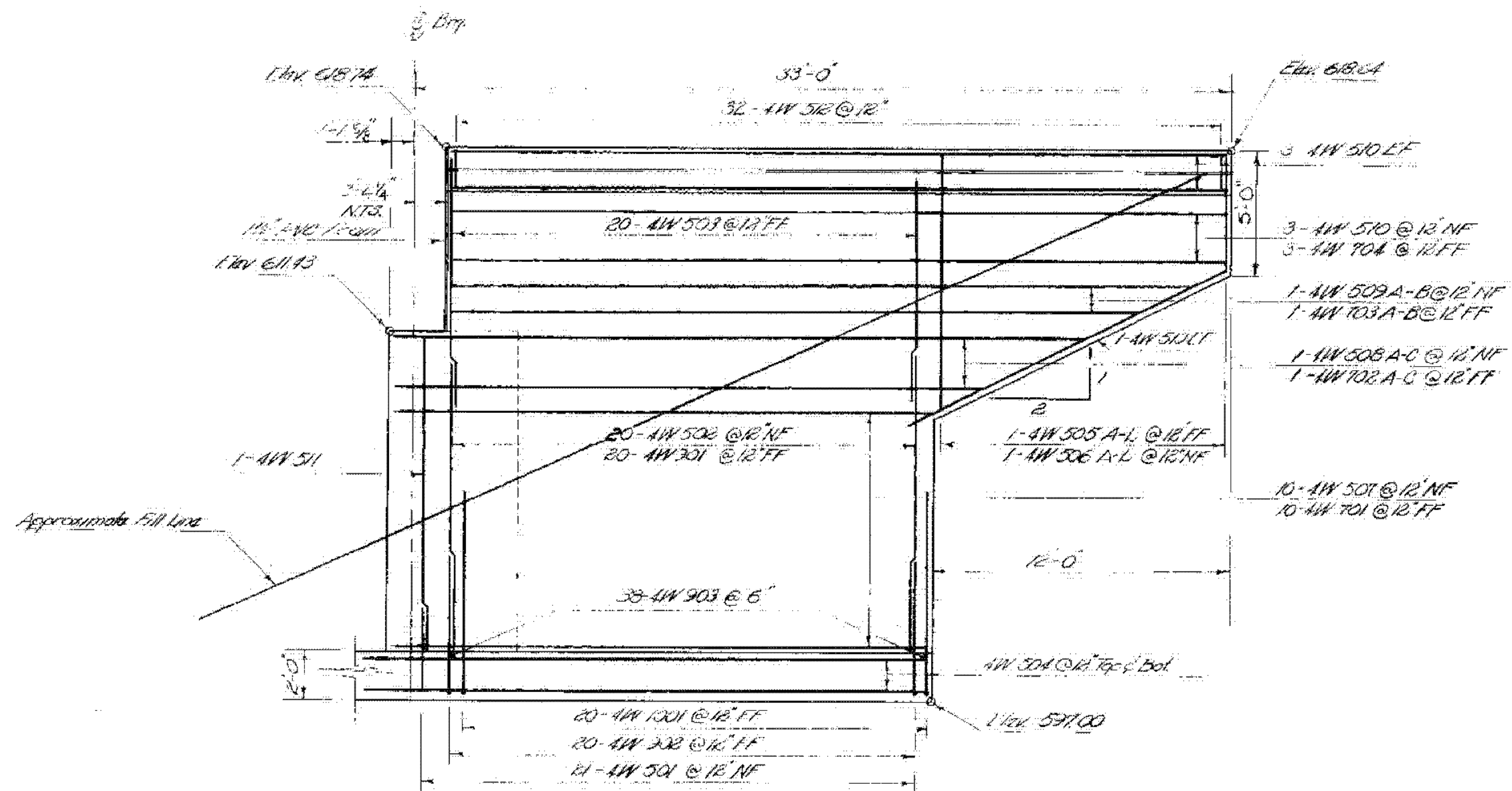


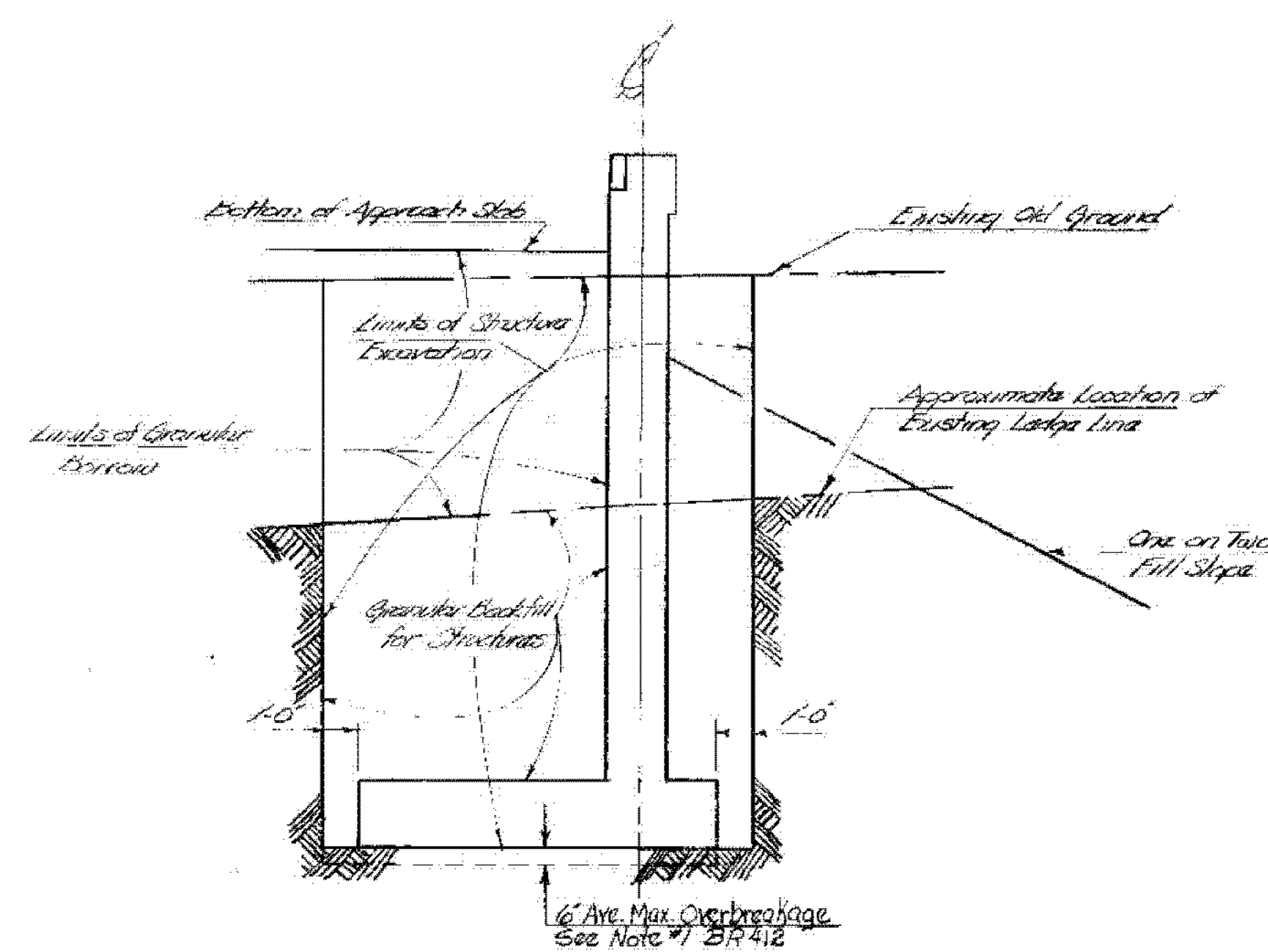
Elevation Wingwall No. 3
Scale 1/4" = 1'-0"



Wingwall Typical Section
Scale 1/4" = 1'-0"



Elevation Wingwall No. A
Scale 1/4" = 1'-0"



Wingwall Typical Section
Scale 1/4" = 1'-0"

1-91 BRIDGES 81N&S
WATERFORD - ST. JOHNSBURY
IM MEMB(32)
SHEET 21 OF 43
FOR REFERENCE ONLY

STATE OF VERMONT DEPARTMENT OF HIGHWAYS	
TOWN OF WATERFORD	Bridge No. 4
HIGHWAY NO. 191	Log Sta.
INT. R.T.E. 91 NB & SB Over Ramps 3' to E	Surv. Sta. 6812+0
Wing Walls 3 & A	
Designed by N. DePorth	Drawn by C. Wilham
Checked by J. Bernath	Bridge Design Supervisor
date 3-10-76	R. Hoyt date 3-76
PROJECT Bernath - St. Johnsbury	PROJECT NO. EAC 191-2(59)
Bridge Sheet No. BR 413	Sheet 119 n of 356

WINGWALL DIMENSIONS
REVISION 12/8/76