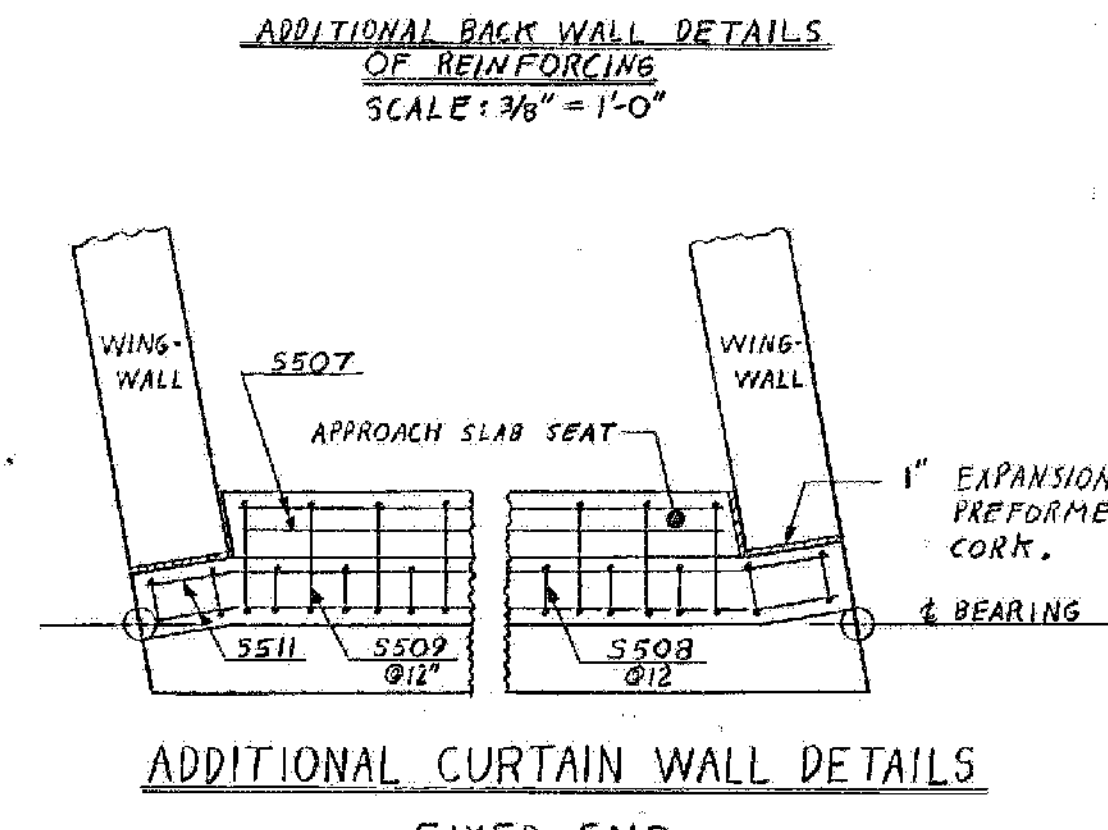
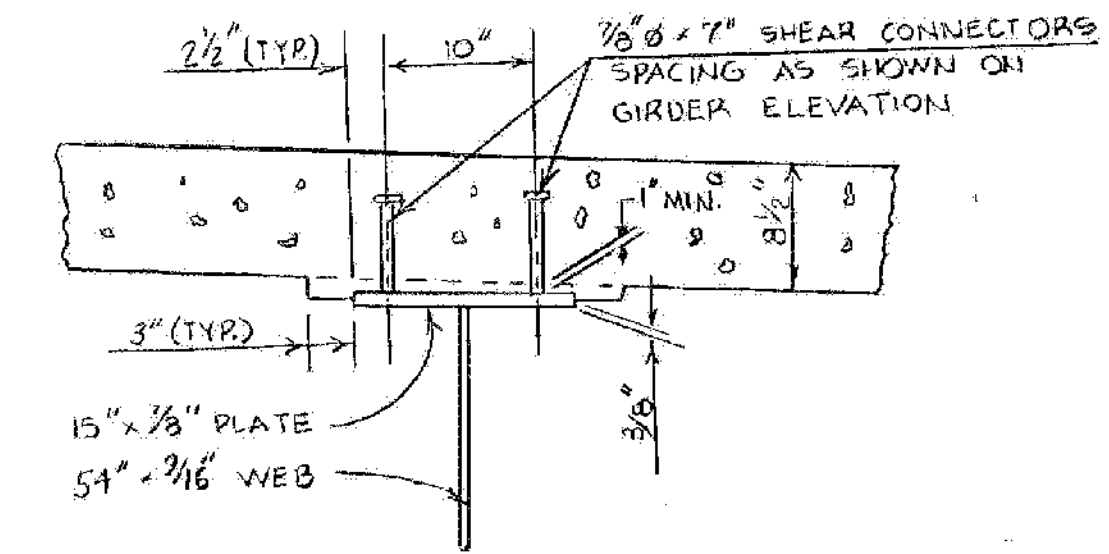
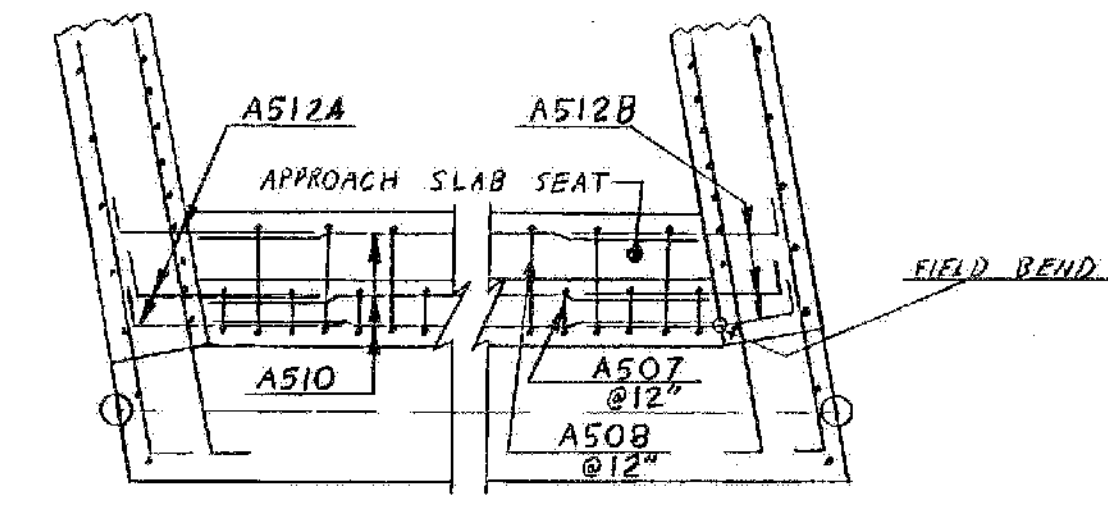
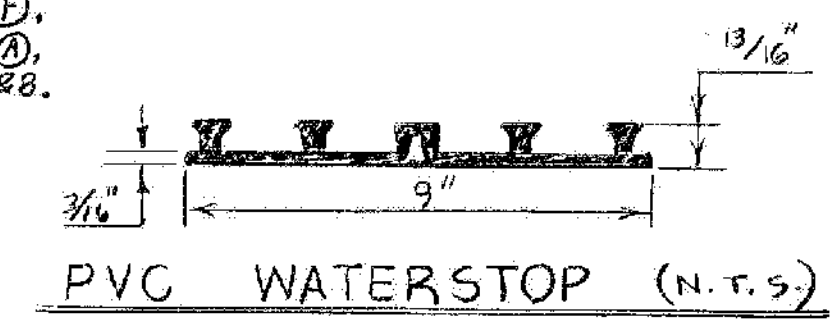


FOR ADDITIONAL CURB DETAILS SEE SCB-D6-73 DETAIL (D), SCB-D4-76 DETAIL (D), & GENERAL NOTES 4 & 8.



1-93 BRIDGES 3N&S
WATERFORD
IM MEMB(31)
SHEET 28 OF 48
FOR REFERENCE ONLY

STATE OF VERMONT	
AGENCY OF TRANSPORTATION	
TOWN OF WATERFORD	Bridge No. B5
HIGHWAY NO. I93	Log Sta. 251+70
I 93 NB & SB over TH #12	
TYPICAL SECTION & DECK REINFORCING STEEL	
Designed by Chary Rogers	Drawn by R. JENSEN & S. FARNSWORTH
Checked by G. ROGERS	Bridge Design Supervisor
date 6/80	F.Y. Bolcum date 7/80
PROJECT WATERFORD	PROJECT NO. I93-1(3) 1/2
Bridge Sheet No. BR 505	Sheet 126 of 531

135 of 290